

<b>A</b>	
Accessories and Modifications ....	115
Accessories.....	115
Modifications .....	116
ACCESSORY (Ignition Key Position) .....	69
Accessory Power Sockets.....	87
Additives, Engine Oil.....	157
Airbag (SRS) .....	10, 22
Air Conditioning System.....	91
Usage.....	91
Air Outlets (Vents) .....	92
Air Pressure, Tires .....	172
Normal Driving .....	173
Antifreeze .....	160
Anti-lock Brakes (ABS)	
Indicator.....	55, 134
Operation.....	133
Anti-theft, Audio System.....	104
Anti-theft Steering Column Lock ..	69
Armrests, Front Seat.....	74
Audio System .....	94
Automatic Seat Belt Tensioners ....	20
Automatic Speed Control.....	107

Automatic Transmission.....	127
Capacity, Fluid .....	204
Checking Fluid Level.....	162
Shifting.....	127
Shift Lever Position Indicator ..	127
Shift Lever Positions .....	127
Shift Lock Release.....	130
Auxiliary Input Jack.....	106

<b>B</b>	
Battery	
Charging System	
Indicator.....	54, 192
Jump Starting .....	188
Maintenance.....	177
Specifications .....	205
Before Driving .....	109
Belts, Seat .....	8, 19
Beverage Holders .....	87
Body Panels .....	165
Booster Seats.....	45
Brakes	
Anti-lock System (ABS) .....	133
Break-in, New Linings .....	110
Bulb Replacement .....	166

Fluid .....	164
Parking.....	83
System Indicator .....	54, 194
Wear Indicators .....	133
Braking System.....	132
Break-in, New Vehicle .....	110
Brightness Control, Instruments...	63
Brights, Headlights .....	62
Bulb Replacement	
Back-up Lights .....	169
Brake Lights.....	169
Front Parking Lights.....	167
Front Side Marker Lights.....	168
Headlights .....	166
Specifications .....	205
Turn Signal Lights.....	167
Bulbs, Halogen.....	166

<b>C</b>	
Capacities Chart.....	204
Carbon Monoxide Hazard .....	48
Cargo.....	117
Cargo, <i>how to carry</i> .....	117

CONTINUED



**E**

Economy, Fuel ..... 114  
 Emergencies..... 179  
     Jump Starting ..... 188  
     Brake System Indicator ..... 194  
     Changing a Flat Tire ..... 181  
     Charging System Indicator ..... 192  
     Checking the Fuses..... 196  
     Hazard Warning Flashers ..... 63  
     Low Oil Pressure Indicator ..... 192  
     Malfunction Indicator Lamp .... 193  
     Overheated Engine ..... 190  
     Towing ..... 195  
 Emergency Brake..... 83  
 Emergency Flashers ..... 63  
 Emissions Controls..... 209  
 Emissions Testing, State ..... 212  
 Engine  
     Coolant Temperature Gauge ..... 59  
     Engine Speed Limiter ..... 126, 129  
     *If it won't start*..... 186  
     Malfunction Indicator  
         Lamp ..... 54, 193  
     Oil Pressure Indicator ..... 54, 192  
     Oil, What Kind to Use ..... 157

Overheating..... 190  
 Specifications ..... 204  
 Starting..... 124  
 Ethanol in Gasoline ..... 110  
 Evaporative Emissions Controls.. 209  
 Exhaust Fumes ..... 48  
 Expectant Mothers, Use of Seat  
     Belts by ..... 17

**F**

Fan, Interior..... 90  
 Features, Comfort and  
     Convenience ..... 89  
 Filling the Fuel Tank..... 111  
 Filters  
     Dust and Pollen..... 170  
     Oil ..... 158  
 5-speed Manual Transmission  
     Checking Fluid Level..... 163  
     Shifting the ..... 125  
 Flashers, Hazard Warning..... 63  
 Flat Tire, Changing a ..... 181  
 Fluids  
     Automatic Transmission..... 162  
     Brake ..... 164

Clutch..... 164  
 Manual Transmission ..... 163  
 Power Steering..... 165  
 Windshield Washer ..... 161  
 FM Stereo Radio  
     Reception..... 97  
 Folding Rear Seat ..... 77  
 Four-way Flashers ..... 63  
 Front Seat  
     Adjusting..... 11  
     Airbags..... 22  
 Fuel..... 110  
     Fill Door and Cap..... 111  
     Gauge ..... 58  
     Octane Requirement ..... 110  
     Reserve Indicator..... 56  
     Tank, Filling the..... 111  
 Fuses, Checking the..... 196

**G**

Gas Mileage, Improving..... 114  
 Gasohol ..... 110

CONTINUED

**Index**

Gasoline ..... 110  
 Fuel Reserve Indicator ..... 56  
 Gauge ..... 58  
 Octane Requirement ..... 110  
 Tank, Filling the..... 111  
 Gas Station Procedures..... 111  
 Gauges  
 Engine Coolant Temperature .... 59  
 Fuel..... 58  
 Gearshift Lever Positions  
 Automatic Transmission..... 127  
 5-speed Manual  
 Transmission..... 126  
 Glove Box ..... 87

**H**

Halogen Headlight Bulbs..... 166  
 Hatch..... 71  
 Hazard Warning Flashers..... 63  
 Headlights  
 Aiming..... 166  
 Daytime Running Lights..... 62  
 High Beam Indicator ..... 56  
 Reminder Beeper..... 62  
 Replacing Halogen Bulbs ..... 166

**IV**

Turning on..... 62  
 Head Restraints ..... 75  
 Heating and Cooling..... 90  
 High-Low Beam Switch ..... 62  
 Hood, Opening the ..... 112  
 Horn..... 3, 60  
 Hydraulic Clutch..... 164

**I**

Identification Number, Vehicle... 202  
 Ignition  
 Keys..... 65  
 Switch..... 69  
 Timing Control System..... 210  
 Immobilizer System..... 66  
 Important Safety Precautions ..... 6  
 Indicators  
 ABS (Anti-Lock Brake)..... 55  
 Brake (Parking and Brake  
 System) ..... 54, 194  
 Charging System ..... 54  
 Cruise Control..... 56  
 DRL (Daytime Running  
 Lights)..... 56  
 High Beam..... 56

Key (Immobilizer System) ..... 55  
 Low Fuel ..... 56  
 Low Oil Pressure ..... 54  
 Side Airbag Off ..... 55  
 SRS ..... 55  
 Turn Signal and Hazard  
 Warning ..... 56  
 Washer Level ..... 57  
 Indicators, Instrument Panel..... 53  
 Infant Restraint ..... 34  
 Infant Seats..... 34  
 LATCH Anchorage System ..... 39  
 Lower Anchors ..... 39  
 Tether Anchorage Points ..... 43  
 Inflation, Proper Tire ..... 172  
 Normal Driving..... 173  
 Inside Mirror ..... 82  
 Inspection, Tire ..... 174  
 Instrument Panel ..... 53  
 Instrument Panel Brightness ..... 63  
 Introduction..... i

**J**

Jacking up the Vehicle ..... 183  
 Jack, Tire ..... 181

Jump Starting ..... 188

**K**

Keys..... 65

**L**

Label, Certification..... 202

Lane Change, Signaling..... 62

Lap/Shoulder Belts ..... 14, 19

LATCH Anchorage System..... 39

Lights

    Bulb Replacement ..... 166

    Indicator..... 53

    Parking..... 62

    Turn Signal..... 62

Load Limit ..... 118

LOCK (Ignition Key Position) ..... 69

Locks

    Anti-theft Steering Column ..... 69

    Fuel Fill Door ..... 111

    Glove Box ..... 87

    Power Door ..... 70

    Tailgate ..... 72

Low Coolant Level..... 113

Low Fuel Indicator ..... 56

Low Oil Pressure Indicator .... 54, 192

Lower Anchors..... 39

Lubricant Specifications Chart .... 204

Luggage, *Storing (Cargo)*..... 117

**M**

Maintenance..... 147

    Owner Maintenance Checks... 151

    Record..... 154-155

    Required Indicator..... 57

    Safety..... 148

    Schedule ..... 152-153

Malfunction Indicator Lamp .. 54, 193

Manual Transmission..... 125

Manual Transmission Fluid ..... 163

Meters, Gauges..... 53, 58

Mirrors, Adjusting ..... 82

Modifying Your Vehicle..... 116

**N**

Neutral Gear Position..... 128

New Vehicle Break-in ..... 110

Normal Shift Speeds..... 126

NOTICE, Explanation of..... i

Numbers, Identification..... 202

**O**

Octane Requirement, Gasoline.... 110

Odometer..... 58

Odometer, Trip ..... 58

Off-Highway Driving..... 143

Oil

    Change, How to ..... 158

    Change, When to ..... 152

    Checking Engine ..... 113

    Pressure Indicator ..... 54, 192

    Selecting Proper Viscosity

        Chart ..... 157

ON (Ignition Key Position) ..... 69

Onboard Refueling Vapor

    Recovery ..... 209

Outside Mirrors ..... 82

Overdrive ..... 129

Overheating, Engine ..... 190

Owner Maintenance Checks..... 151

CONTINUED

**V**

**Index**

**P**

Panel Brightness Control ..... 63  
 Park Gear Position..... 127  
 Parking ..... 131  
 Parking Brake ..... 83  
 Parking Brake and Brake System Indicator ..... 54, 194  
 Parking Lights..... 62  
 Parking Over Things that Burn... 131  
 PGM-FI System..... 210  
 Power Socket Locations..... 87  
 Power Windows ..... 81  
 Power Door Locks..... 70  
 Pregnancy, Using Seat Belts ..... 17  
 Protecting Adults and Teens..... 11  
     Additional Safety Precautions.... 18  
     Advice for Pregnant Women..... 17  
 Protecting Children ..... 29  
     Protecting Infants..... 34  
     Protecting Larger Children ..... 44  
     Protecting Small Children ..... 36  
     Using Child Seats with Tethers..... 39  
     Using LATCH ..... 39

**R**

Radiator Overheating..... 190  
 Radio/CD Sound System..... 94  
 Readiness Codes..... 193  
 Rear Doors..... 70  
 Rear Lights, Bulb Replacement... 169  
 Rear Seat Access ..... 75  
 Rear Seat, Folding ..... 77  
 Rear View Mirror..... 82  
 Rear Window Defogger ..... 63  
 Rear Window Wiper and Washer .. 61  
 Reclining the Seat-Backs ..... 73  
 Recommended Shift Speeds ..... 126  
 Reminder Lights ..... 53  
 Removing the Rear Seats..... 79  
 Remote Transmitter..... 67  
 Replacement Information  
     Dust and Pollen Filter ..... 170  
     Engine Oil and Filter ..... 158  
     Fuses ..... 196  
     Light Bulbs ..... 166  
     Schedule ..... 152  
     Tires ..... 172  
     Wiper Blades..... 171

Replacing Seat Belts After a Crash..... 21  
 Reserve Tank, Engine Coolant..... 113, 160  
 Restraint, Child ..... 29  
 Reverse Gear Position..... 128  
 Reverse Lockout ..... 130  
 Roof Rack ..... 119  
 Rotation, Tire ..... 175

**S**

Safety Belts..... 8, 19  
 Safety Defects, Reporting\* ..... 216  
 Safety Features ..... 7  
     Airbags..... 10  
     Door Locks..... 11  
     Head Restraints ..... 14  
     Seat Belts ..... 8  
     Seats and Seat-Backs ..... 11, 13  
 Safety Labels, Location of ..... 49  
 Safety Messages ..... ii  
 Seat Belts ..... 8, 19  
     Additional Information..... 19  
     Advice for Pregnant Women..... 17

Automatic Seat Belt			
Tensioners.....	20		
Cleaning.....	170		
Lap/Shoulder Belt.....	14, 19		
Maintenance.....	21		
Reminder Light.....	19, 54		
System Components.....	19		
Use During Pregnancy.....	17		
Wearing a Lap/Shoulder Belt....	14		
Seats, Adjusting the.....	73		
Serial Number .....	202		
Service Intervals .....	152		
Service Manual* .....	217		
Service Station Procedure .....	111		
Setting the Clock .....	105		
Shift Lever Position Indicator .....	127		
Shift Lock Release.....	130		
Side Airbags .....	25		
Off Indicator.....	27		
Side Marker Lights, Bulb			
Replacement.....	168		
Signaling Turns.....	62		
Skylight .....	83		
Snow Tires.....	176		
Sound System.....	94		
Spare Tyre .....	180		
Inflating.....	180		
Specifications Charts.....	204		
Speed Control.....	107		
SRS, Additional Information.....	22		
Additional Safety Precautions....	28		
Airbag Service.....	27		
How the Side Airbag Off			
Indicator Light Works .....	27		
How the SRS Indicator Works...	26		
How Your Front Airbags			
Work.....	22		
How Your Side Airbags Work...	25		
SRS Components .....	22		
SRS Indicator.....	26, 55		
START (Ignition Key Position) .....	69		
State Emissions Testing .....	212		
Starting the Engine.....	124		
With a Dead Battery .....	188		
Steam Coming from Engine.....	190		
Steering Wheel			
Adjustment .....	64		
Anti-theft Column Lock .....	69		
Stereo Sound System .....	94		
Storing Your Vehicle .....	178		
Supplemental Restraint			
System.....	10, 22		
Servicing .....	27		
SRS Indicator.....	26, 55		
System Components.....	22		
Synthetic Oil.....	158		
<b>T</b>			
Tailgate			
Open Indicator .....	57		
Opening the.....	72		
Taillights, Changing Bulbs .....	169		
Taking Care of the Unexpected ..	179		
Technical Descriptions			
DOT Tire Quality Grading .....	206		
Emissions Control Systems.....	209		
Three Way Catalytic			
Converter .....	211		
Temperature Gauge .....	59		
Tether Anchorage Points .....	43		
Theft Protection.....	104		
Three Way Catalytic Converter...	211		
Tilt the Steering Wheel.....	64		

CONTINUED

## Index

Time, Setting the .....	105	Transmission		Vehicle Storage .....	178
Tire Chains .....	176	Checking Fluid Level,		Ventilation.....	92
Tire, How to Change a Flat .....	181	Automatic .....	162	VIN .....	202
Tire Information .....	208	Checking Fluid Level,		Viscosity, Oil.....	157
Tires .....	172	Manual .....	163		
Air Pressure .....	173	Fluid Selection .....	162, 163	W	
Checking Wear .....	174	Identification Number.....	202	WARNING, Explanation of .....	ii
Compact Spare .....	180	Shifting the Automatic.....	127	Warning Labels, Location of .....	49
DOT Tire Quality Grading .....	206	Shifting the Manual.....	125	Warranty Coverages* .....	215
Inflation.....	172	Treadwear .....	206	Washers, Windshield	
Inspection .....	174	Trip Meter .....	58	Checking the Fluid Level .....	161
Maintenance.....	174	Turn Signals .....	62	Operation.....	61
Replacing .....	175			Wheels	
Rotating.....	175	U		Adjusting the Steering .....	64
Snow .....	176	Unexpected, Taking Care		Alignment and Balance.....	174
Specifications .....	205	of the .....	179	Wrench .....	183
Tire Chains .....	176	Uniform Tire Quality Grading .....	206	Windows	
Tools, Tire Changing .....	181	Unleaded Gasoline.....	110	Operating the Power .....	81
Towing		Used Oil, How to Dispose of .....	159	Rear, Defogger .....	63
A Trailer.....	135			Windshield	
Behind a Motorhome .....	141	V		Cleaning .....	61
Emergency .....	195	Vehicle Capacity Load .....	118	Defroster .....	91
Equipment And Accessories ....	137	Vehicle Dimensions.....	204	Washers .....	161
Weight Limit .....	135	Vehicle Identification Number.....	202	Wipers, Windshield	
Trailer Loading .....	136			Changing Blades.....	171
Trailer Towing Tips.....	139				

---

Operation.....	<b>61</b>
Worn Tires .....	<b>174</b>
Wrecker, Emergency Towing.....	<b>195</b>

\* : U.S. and Canada only

## 2004 Element Online Reference Owner's Manual

Use these links (and links throughout this manual) to navigate through this reference.  
For a printed owner's manual, click on authorized manuals or go to [www.helminc.com](http://www.helminc.com).

## Contents

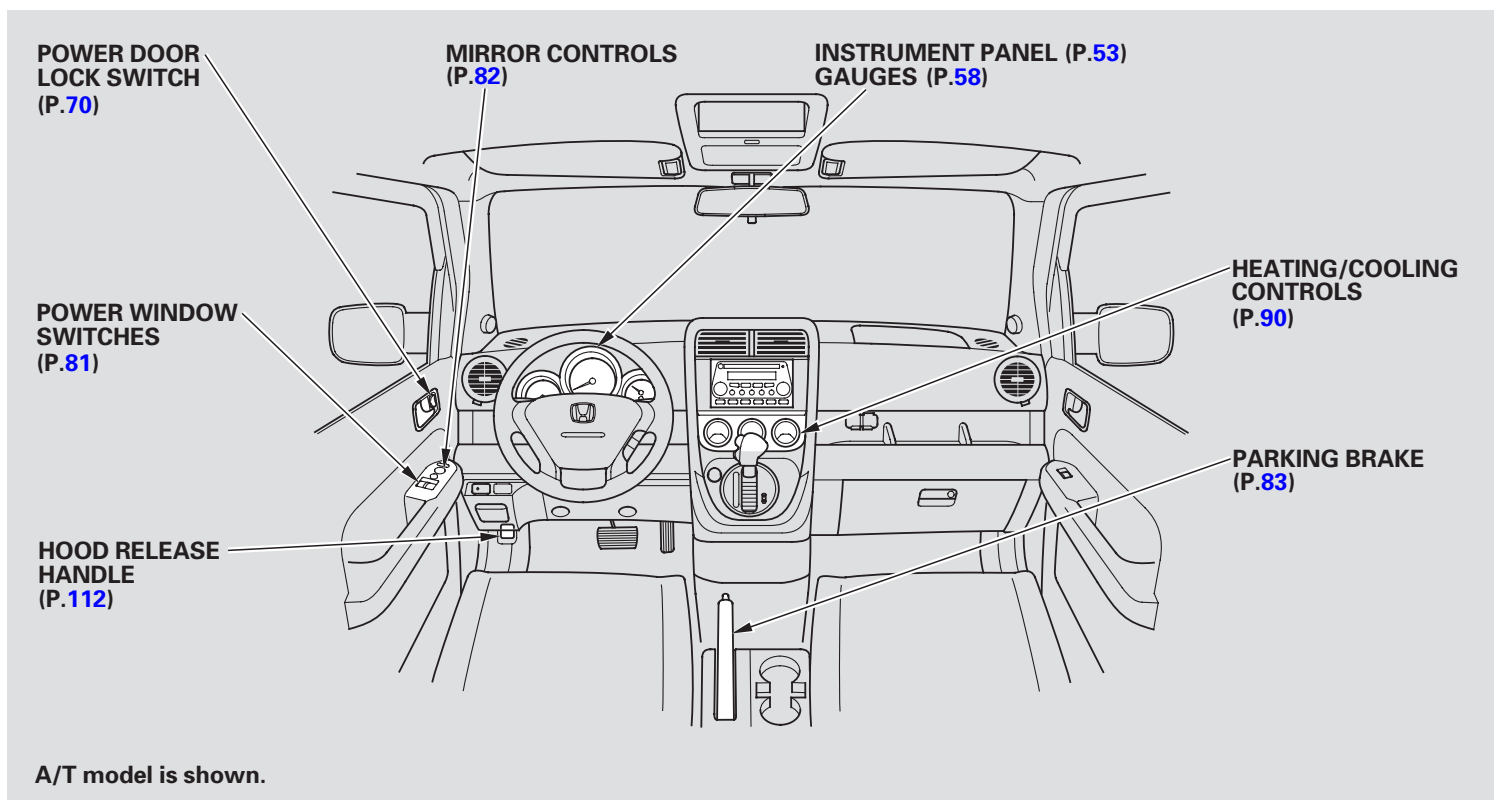
---

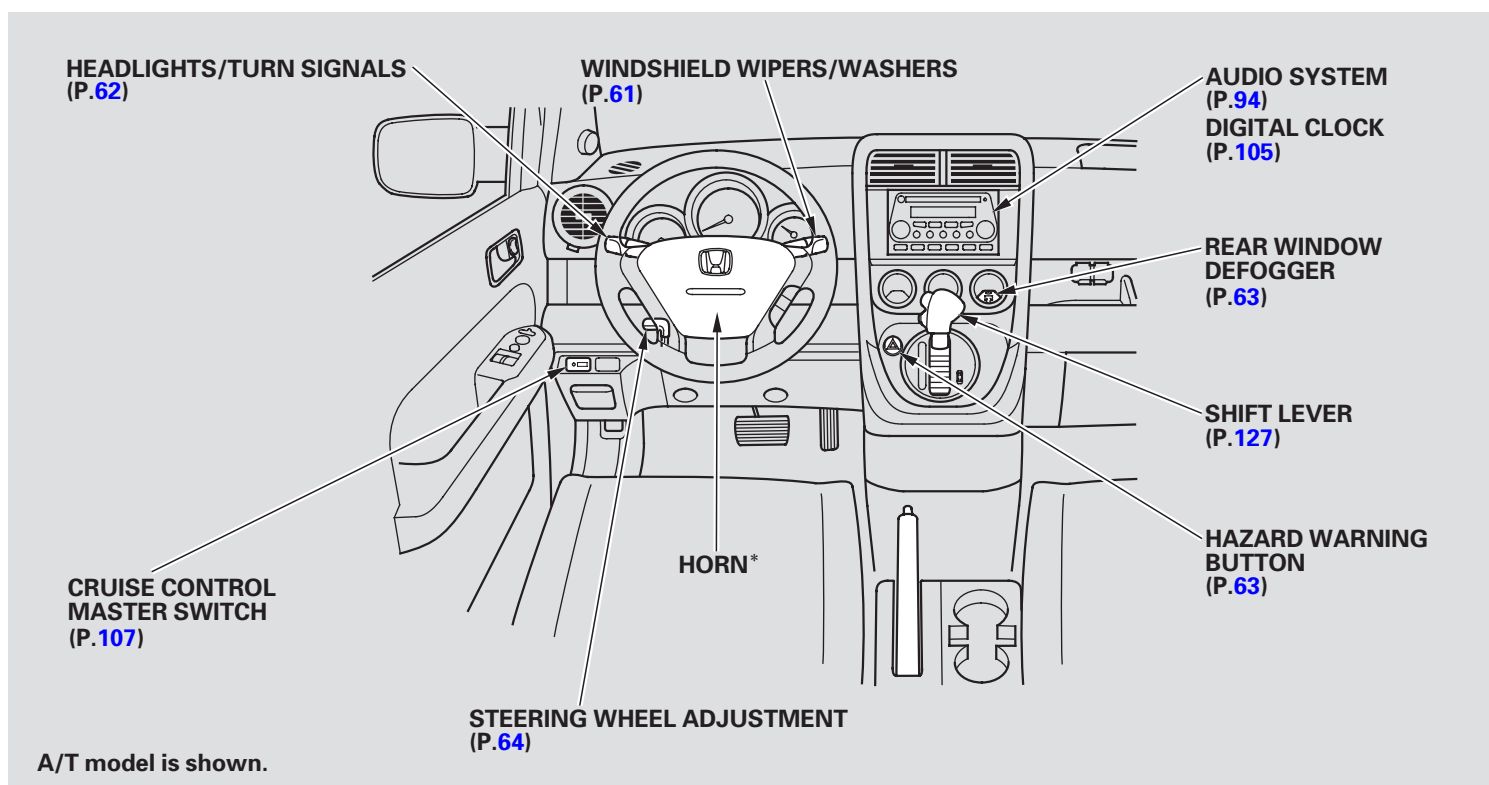
### Owner's Identification Form

<b>Introduction</b> .....	<b>i</b>
<b>A Few Words About Safety</b> .....	<b>ii</b>
<b>Important Handling Information</b> .....	<b>iii</b>
<b>Your Vehicle at a Glance</b> .....	<b>2</b>
<b>Driver and Passenger Safety</b> .....	<b>5</b>
Proper use and care of your vehicle's seat belts, and Supplemental Restraint System.	
<b>Instruments and Controls</b> .....	<b>51</b>
Instrument panel indicator and gauge, and how to use dashboard and steering column controls.	
<b>Comfort and Convenience Features</b> .....	<b>89</b>
How to operate the climate control system, the audio system, and other convenience features.	
<b>Before Driving</b> .....	<b>109</b>
What gasoline to use, how to break-in your new vehicle, and how to load luggage and other cargo.	
<b>Driving</b> .....	<b>121</b>
The proper way to start the engine, shift the transmission, and park, plus towing a trailer.	
<b>Maintenance</b> .....	<b>147</b>
The Maintenance Schedule shows you when you need to take your vehicle to the dealer.	
<b>Taking Care of the Unexpected</b> .....	<b>179</b>
This section covers several problems motorists sometimes experience, and how to handle them.	
<b>Technical Information</b> .....	<b>201</b>
ID numbers, dimensions, capacities, and technical information.	
<b>Warranty and Customer Relations (U.S. and Canada)</b> .....	<b>213</b>
A summary of the warranties covering your new Acura, and how to contact us.	
<b>Authorized Manuals (U.S. only)</b> .....	<b>217</b>
How to order manuals and other technical literature.	
<b>Index</b> .....	<b>I</b>
<b>Service Information Summary</b>	
A summary of information you need when you pull up to the fuel pump.	

WWW.MANUALS.WS

## Your Vehicle at a Glance





\* : To use the horn, press the center pad of the steering wheel.

03/10/22 17:54:40 31SCV610 0009

WWW.MANUALS.WS

WWW.MANUALS.WS

## Important Safety Precautions

---

You'll find many safety recommendations throughout this section, and throughout this manual. The recommendations on this page are the ones we consider to be the most important.

### Always Wear Your Seat Belt

A seat belt is your best protection in all types of collisions. Airbags supplement seat belts, but airbags are designed to inflate only in a moderate to severe frontal collision. So even though your vehicle is equipped with airbags, make sure you and your passengers always wear your seat belts, and wear them properly. (See page 14.)

### Restrain All Children

Children age 12 and under should ride properly restrained in a back seat. Infants and small children should be restrained in a child seat. Larger children should use a booster and a lap/shoulder belt until they

can use the belt properly without a booster (see page 29).

### Be Aware of Airbag Hazards

While airbags can save lives, they can cause serious or fatal injuries to occupants who sit too close to them, or are not properly restrained. Infants, young children, and short adults are at the greatest risk. Be sure to follow all instructions and warnings in this manual.

### Don't Drink and Drive

Alcohol and driving don't mix. Even one drink can reduce your ability to respond to changing conditions, and your reaction time gets worse with every additional drink. So don't drink and drive, and don't let your friends drink and drive, either.

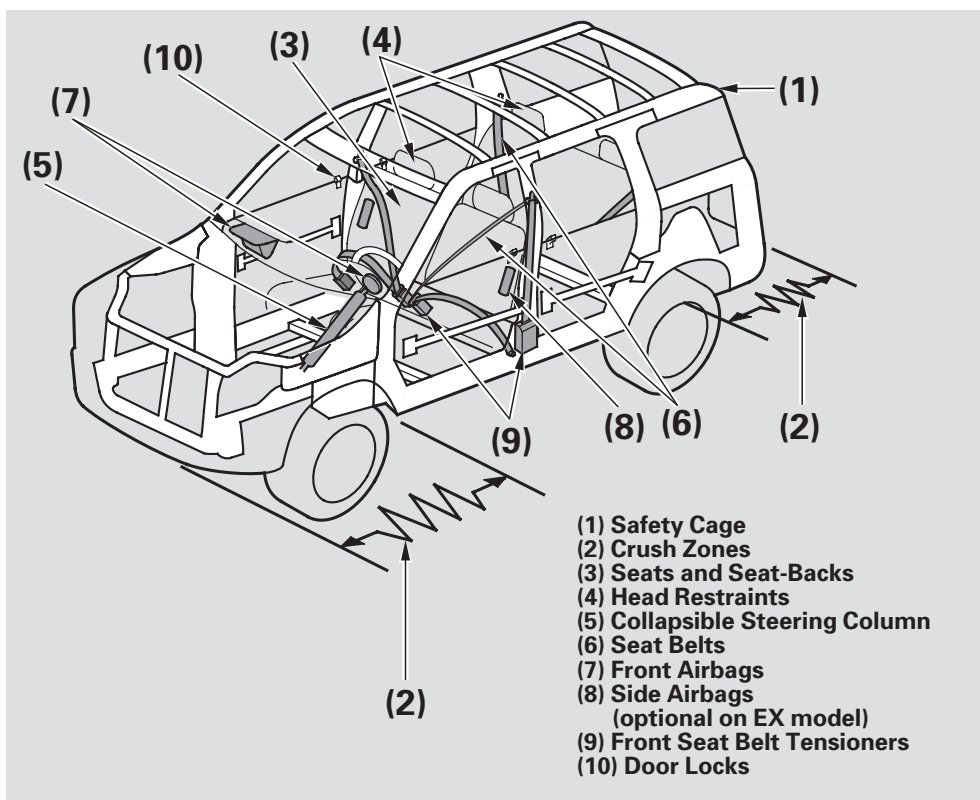
### Control Your Speed

Excessive speed is a major factor in crash injuries and deaths. Generally, the higher the speed the greater the risk, but serious accidents can also occur at lower speeds. Never drive faster than is safe for current conditions, regardless of the maximum speed posted.

### Keep Your Vehicle in Safe Condition

Having a tire blowout or a mechanical failure can be extremely hazardous. To reduce the possibility of such problems, check your tire pressures and condition frequently, and perform all regularly scheduled maintenance (see page 152).

## Your Vehicle's Safety Features



Your vehicle is equipped with many features that work together to protect you and your passengers during a crash.

Some safety features do not require any action on your part. These include a strong steel framework that forms a safety cage around the passenger compartment; front and rear crush zones; a collapsible steering column; and seat belt tensioners that tighten the front seat belts in the event of a crash.

CONTINUED

## Your Vehicle's Safety Features

---

However, you and your passengers can't take full advantage of these safety features unless you remain sitting in a proper position and ***always wear your seat belts properly.*** In fact, some safety features can contribute to injuries if they are not used properly.

The following pages explain how you can take an active role in protecting yourself and your passengers.

### Seat Belts

Your vehicle is equipped with seat belts in all seating positions.

Your seat belt system also includes a light on the instrument panel to remind you and your passengers to fasten your seat belts.

### ***Why Wear Seat Belts***

Seat belts are the single most effective safety device for adults and larger children. (Infants and smaller children must be properly restrained in child seats.)

Not wearing a seat belt properly increases the chance of serious injury or death in a crash, even though your vehicle has airbags.

In addition, most states and all Canadian provinces require you to wear seat belts.

**⚠ WARNING**

Not wearing a seat belt properly increases the chance of serious injury or death in a crash, even if you have airbags.

Be sure you and your passengers always wear seat belts and wear them properly.

- Help keep you from being thrown against the inside of the vehicle and against other occupants.
- Keep you from being thrown out of the vehicle.
- Help keep you in a good position should the airbags ever deploy. A good position reduces the risk of injury from an inflating airbag, and allows you to get the best advantage from the airbag.

Of course, seat belts cannot completely protect you in every crash. But in most cases, seat belts can reduce your risk of serious injury.

***What You Should Do:***

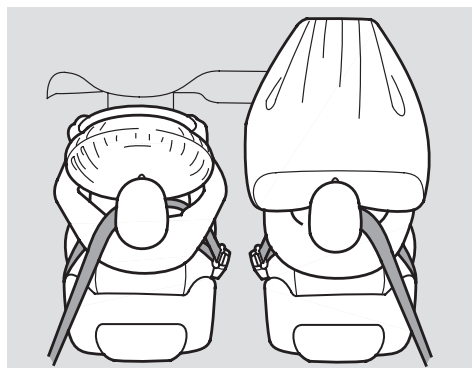
Always wear your seat belt, and make sure you wear it properly.

When properly worn, seat belts:

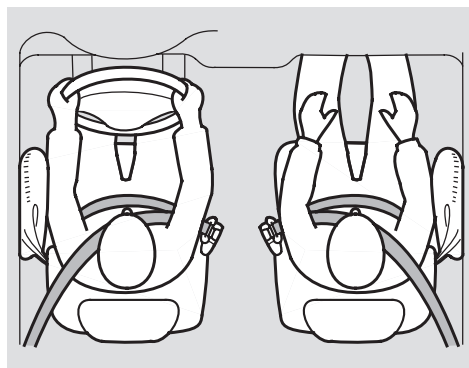
- Keep you connected to the vehicle so you can take advantage of the vehicle's built-in safety features.
- Help protect you in almost every type of crash, including frontal, side, and rear impacts and rollovers.

## Your Vehicle's Safety Features

### Airbags



Your vehicle has a Supplemental Restraint System (SRS) with front airbags to help protect the heads and chests of the driver and a front seat passenger during a moderate to severe frontal collision (see page 22 for more information on how your front airbags work).



*Optional on EX models*  
Your vehicle also has side airbags to help protect the upper torso of the driver or a front seat passenger during a moderate to severe side impact (see page 25 for more information on how your side airbags work).

The most important things you need to know about your airbags are:

- **Airbags do not replace seat belts.** They are designed to supplement the seat belts.
- **Airbags offer no protection in rear impacts, rollovers, or minor frontal or side collisions.**
- **Airbags can pose hazards.** To do their job, airbags must inflate with tremendous force. So while airbags help save lives, they can cause minor injuries or more serious or even fatal injuries if occupants are not properly restrained or sitting properly.

#### **What You Should Do:**

Always wear your seat belt properly, sit upright, and as far back from the steering wheel while allowing full control of the vehicle. A front passenger should move their seat as far back from the dashboard as possible.

### Introduction

The rest of this section gives more detailed information about how you can maximize your safety.

Remember however, that no safety system can prevent all injuries or deaths that can occur in severe crashes, even where seat belts are properly worn and the airbags deploy.

The following pages provide instructions on how to properly protect the driver, adult passengers and teenage children who are large enough and mature enough to ride in the front seat.

See page 34 for important guidelines on how to properly protect infants, small children, and larger children who ride in your vehicle.

### 1. Close and Lock the Doors

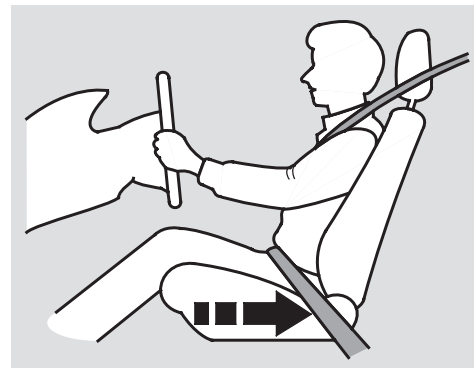
After everyone has entered the vehicle, be sure the doors are closed and locked.

Locking the doors reduces the chance of someone being thrown out of the vehicle during a crash, and it helps prevent passengers from accidentally opening a door and falling out.

Locking the doors also helps prevent an outsider from unexpectedly opening a door when you come to a stop.

See page 70 for how to lock the doors.

### 2. Adjust the Front Seats



Adjust the driver's seat as far to the rear as possible while allowing you to maintain full control of the vehicle. Have a front passenger adjust their seat as far to the rear as possible.

If you sit too close to the steering wheel or dashboard, you can be seriously injured by an inflating front airbag, or by striking the steering wheel or dashboard.

CONTINUED

## Protecting Adults and Teens

---

The National Highway Traffic Safety Administration and Transport Canada recommend that drivers allow at least 10 inches (25 cm) between the center of the steering wheel and the chest.

If you cannot get far enough away from the steering wheel and still reach the controls, we recommend that you investigate whether some type of adaptive equipment may help.

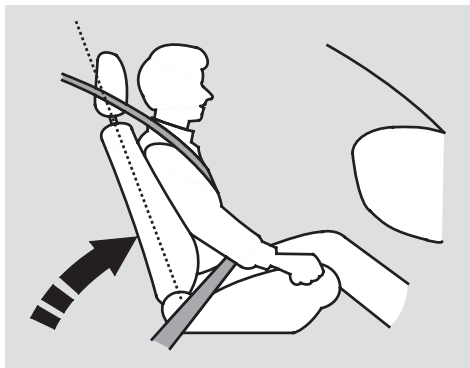
### **WARNING**

Sitting too close to a front airbag can result in serious injury or death if the front airbags inflate.

Always sit as far back from the front airbags as possible.

Once your seat is adjusted correctly, rock it back and forth to make sure the seat is locked into position. See page 73 for how to adjust the front seats.

### 3. Adjust the Seat-Backs



Adjust the driver's seat-back to a comfortable, upright position, leaving ample space between your chest and the airbag cover in the center of the steering wheel.

Passengers with adjustable seat-backs should also adjust their seat-back to a comfortable, upright position.

Reclining a seat-back so that the shoulder part of the belt no longer rests against the occupant's chest reduces the protective capability of the belt. It also increases the chance of sliding under the belt in a crash and being seriously injured. The farther a seat-back is reclined, the greater the risk of injury.

See page 73 for how to adjust the seat-backs.

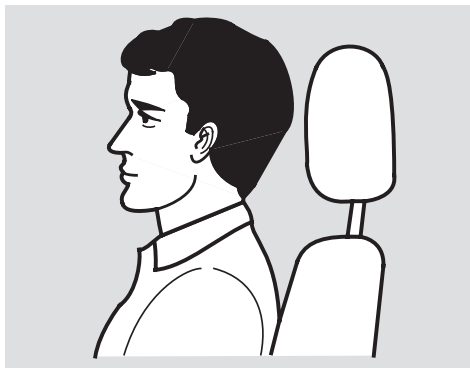
#### **⚠ WARNING**

Reclining the seat-back too far can result in serious injury or death in a crash.

Adjust the seat-back to an upright position, and sit well back in the seat.

## Protecting Adults and Teens

### 4. Adjust the Head Restraints



Adjust the driver's head restraint so the back of your head rests against the center of the restraint.

Have passengers with adjustable restraints adjust their restraints properly as well. Taller persons should adjust their restraint as high as possible.

### **⚠ WARNING**

Improperly positioning head restraints reduces their effectiveness and you can be seriously injured in a crash.

Make sure head restraints are in place and positioned properly before driving.

Properly adjusted head restraints will help protect occupants from whiplash and other crash injuries.

See page 75 for how to adjust the head restraints.

### 5. Fasten and Position the Lap/Shoulder Seat Belts

Insert the latch plate into the buckle, then tug on the belt to make sure the belt is securely latched. Also check that the belt is not twisted, because a twisted belt can cause serious injuries in a crash.

Position the lap part of the belt as low as possible across your hips, then pull up on the shoulder part of the belt so the lap part fits snugly. This lets your strong pelvic bones take the force of a crash and reduces the chance of internal injuries.



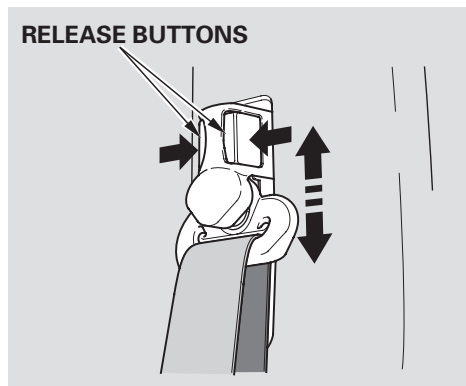
If the seat belt touches or crosses your neck, or if it crosses your arm instead of your shoulder, you need to adjust the seat belt anchor height.

**⚠ WARNING**

Improperly positioning the seat belts can cause serious injury or death in a crash.

Make sure all seat belts are properly positioned before driving.

If necessary, pull up on the belt again to remove any slack, then check that the belt rests across the center of your chest and over your shoulder. This spreads the forces of a crash over the strongest bones in your upper body.



To adjust the height of a front seat belt anchor, squeeze the release button and slide the anchor up or down as needed (the anchor has four positions).

*Never place the shoulder portion of a lap/shoulder belt under your arm or behind your back. This could cause very serious injuries in a crash.*

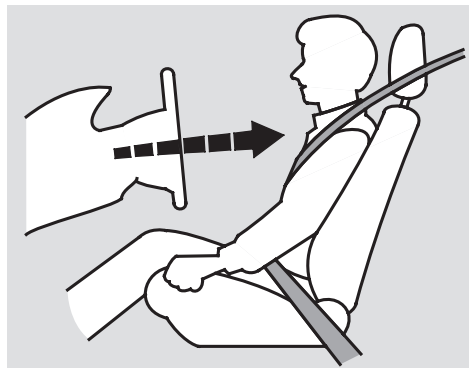
## Protecting Adults and Teens

If a seat belt does not seem to work as it should, it may not protect the occupant in a crash.

**No one should sit in a seat with an inoperative seat belt.** Using a seat belt that is not working properly can result in serious injury or death. Have your Honda dealer check the belt as soon as possible.

See page 19 for additional information about your seat belts and how to take care of them.

### 6. Adjust the Steering Wheel



Adjust the steering wheel, if needed, so that the wheel points toward your chest, not toward your face. This provides optimal protection from the front airbag.

See page 64 for how to adjust the steering wheel.

### 7. Maintain a Proper Sitting Position

After all occupants have adjusted their seats and put on seat belts, it is very important that they continue to sit upright, well back in their seats, with their feet on the floor, until the vehicle is parked and the engine is off.

Sitting improperly can increase the chance of injury during a crash. For example, if an occupant slouches, lies down, turns sideways, sits forward, leans forward or sideways, or puts one or both feet up, the chance of injury during a crash is greatly increased.

In addition, an occupant who is out of position in the front seat can be seriously or fatally injured by striking interior parts of the vehicle, or being struck by an inflating front airbag.

**⚠ WARNING**

Sitting improperly or out of position can result in serious injury or death.

Always sit upright, well back in the seat, with your feet on the floor.

**Advice for Pregnant Women**



If you are pregnant, the best way to protect yourself and your unborn child when driving or riding in a vehicle is to always wear a seat belt, and keep the lap part of the belt as low as possible across the hips.

When driving, remember to sit upright and adjust the seat as far back as possible while allowing full control of the vehicle. When riding as a front passenger, adjust the seat as far back as possible.

This will reduce the risk of injuries to both you and your unborn child that can be caused by a crash or an inflating front airbag.

Each time you have a check-up, ask your doctor if it's okay for you to drive.

## Protecting Adults and Teens

---

### Additional Safety Precautions

- **Never let passengers ride in the cargo area or on top of a folded-down back seat.** All passengers must sit in locked, upright seats and be properly restrained by seat belts.
- **Passengers should not stand up or change seats while the vehicle is moving.** A passenger who is not wearing a seat belt during a crash or emergency stop can be thrown against the inside of the vehicle, against other occupants, or out of the vehicle.
- **Two people should never use the same seat belt.** If they do, they could be very seriously injured in a crash.

- **Do not put any accessories on seat belts.** Devices intended to improve occupant comfort or reposition the shoulder part of a seat belt can severely compromise the protective capability of the seat belt and increase the chance of serious injury in a crash.
- **Do not place hard or sharp objects between yourself and a front airbag.** Carrying hard or sharp objects on your lap, or driving with a pipe or other sharp objects in your mouth, can result in injuries if your front airbag inflates.

- **Do not attach or place objects on the front airbag covers.** Objects on the covers marked "SRS AIRBAG" could interfere with the proper operation of the airbags. Or, if the airbags inflate, the objects could be propelled inside the vehicle and hurt someone if the airbags inflate.
- **On models with side airbags, do not attach hard objects on or near a front door.** If a side airbag inflates, a cup holder or other hard object attached on or near the door could be propelled inside the vehicle and hurt someone.
- **Keep your hands and arms away from the airbag covers.** If your hands or arms are close to an airbag cover, they could be injured if the front airbag inflates.

## Additional Information About Your Seat Belts

### Seat Belt System Components

Your seat belt system includes lap/shoulder belts in all four seating positions. The front seat belts are also equipped with automatic seat belt tensioners.



The seat belt system includes a light on the instrument panel to remind you and your passengers to fasten your belts. If you turn the ignition switch ON (II) without fastening your seat belt, the indicator light will blink. The light will stay on until the driver's seat belt is fastened.

### Lap/Shoulder Belt

The lap/shoulder belt goes over your shoulder, across your chest, and across your hips.

To fasten the belt, insert the latch plate into the buckle, then tug on the belt to make sure the buckle is latched (see page 14 for how to properly position the belt).

To unlock the belt, push the red PRESS button on the buckle. Guide the belt across your body so that it retracts completely. After exiting the vehicle, be sure the belt is out of the way and will not get closed in the door.

All seat belts have an emergency locking retractor. In normal driving, the retractor lets you move freely in your seat while it keeps some tension on the belt. During a collision or sudden stop, the retractor automatically locks the belt to help restrain your body.

The seat belts in all positions except the driver's have an additional locking mechanism that must be activated to secure a child seat (see page 41).

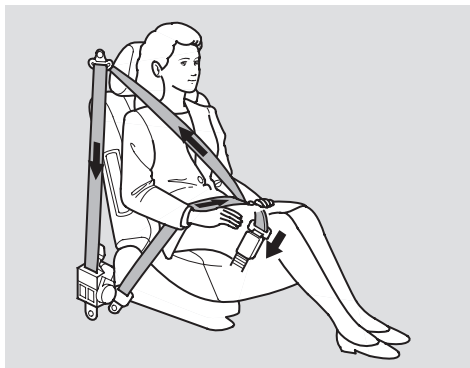
If the shoulder part of the belt is pulled all the way out, the locking mechanism will activate. The belt will retract, but it will not allow the passenger to move freely.

To deactivate the locking mechanism, unlatch the buckle, and let the seat belt fully retract. To refasten the belt, pull it out only as far as needed.

## Additional Information About Your Seat Belts

---

### Automatic Seat Belt Tensioners



For added protection, the front seat belts are equipped with automatic seat belt tensioners. When activated, the tensioners immediately tighten the belts to help hold the driver and a front passenger in place.

The tensioners are designed to activate primarily in frontal collisions, and they should activate in any collision severe enough to cause front-airbag inflation.

However, the tensioners can be activated during a collision in which the front airbags do not deploy. In this case, the airbags would not be needed, but the additional restraint could be helpful.

When the tensioners are activated, the seat belts will remain tight until they are unbuckled in the normal manner.

## Additional Information About Your Seat Belts

### Seat Belt Maintenance

For safety, you should check the condition of your seat belts regularly.

Pull each belt out fully and look for frays, cuts, burns, and wear. Check that the latches work smoothly and the belts retract easily. Any belt not in good condition or not working properly will not provide good protection and should be replaced as soon as possible.

Honda provides a lifetime warranty on seat belts for U.S. models. See your *Honda Warranty Information* booklet for details.

If a seat belt is worn during a crash, it must be replaced by the dealer. A belt that has been worn during a crash may not provide the same level of protection in a subsequent crash.

The dealer should also inspect the anchors for damage and replace them if needed. If automatic seat belt tensioners activate during a crash, they must be replaced.

For information on how to clean your seat belts, see page 170.

### WARNING

Not checking or maintaining seat belts can result in serious injury or death if the seat belts do not work properly when needed.

Check your seat belts regularly and have any problem corrected as soon as possible.

## Additional Information About Your Airbags

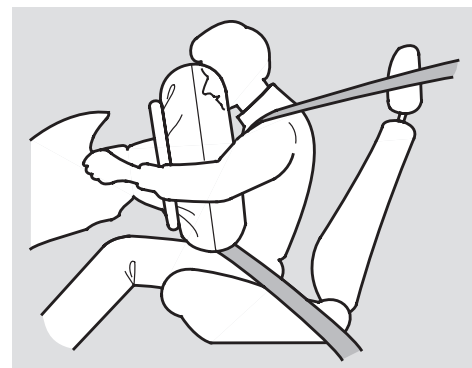
### Airbag System Components

Your airbag system includes:

- Two SRS (Supplemental Restraint System) front airbags. The driver's airbag is stored in the center of the steering wheel; the front passenger's airbag is stored in the dashboard. Both are marked "SRS AIRBAG."
- On models equipped with side airbags, one for the driver and one for a front passenger. The airbags are stored in the outer edges of the seat-backs. Both are marked "SIDE AIRBAG" (see page 25 ).
- Automatic seat belt tensioners (see page 20 ).
- Sensors that can detect a moderate to severe frontal impact or side impact in models equipped with side airbags.

- A sophisticated electronic system that continually monitors and records information about the sensors, the control unit, the airbag activators, and driver and front passenger seat belt use when the ignition is in the ON (II) position.
- An indicator on the instrument panel that alerts you to a possible problem with your airbags, sensors, or seat belt tensioners (see page 26 ).
- On models equipped with side airbags, an indicator on the dashboard that alerts you that the passenger's side airbag has been turned off (see page 27 ).
- Emergency backup power in case your vehicle's electrical system is disconnected in a crash.

### How Your Front Airbags Work



If you ever have a moderate to severe frontal collision, sensors will detect the vehicle's rapid deceleration.

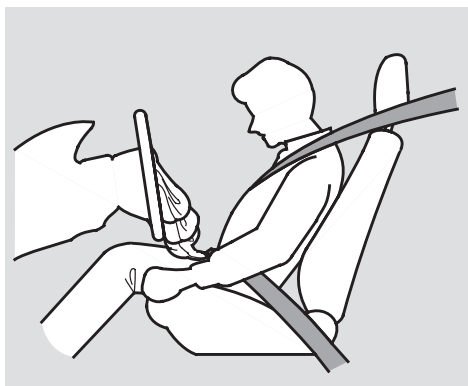
If the rate of deceleration is high enough, the control unit will instantly inflate the driver's and front passenger's front airbags, at the time and with the force needed.

## Additional Information About Your Airbags

During a frontal crash, your seat belt restrains your lower body and torso, and the airbag helps protect your head and chest.

Although both airbags normally inflate within a split second of each other, it is possible for only one airbag to deploy.

This can happen if the severity of a collision is at the margin, or threshold, that determines whether or not the airbags will deploy. In such cases, the seat belt will provide sufficient protection, and the supplemental protection offered by the airbag would be minimal.



After inflating, the front airbags immediately deflate, so they won't interfere with the driver's visibility, or the ability to steer or operate other controls.

The total time for inflation and deflation is one-tenth of a second, so fast that most occupants are not aware that the airbags deployed until they see them lying in their laps.

After a crash, you may see what looks like smoke. This is actually powder from the airbag's surface. Although the powder is not harmful, people with respiratory problems may experience some temporary discomfort. If this occurs, get out of the vehicle as soon as it is safe to do so.

## Additional Information About Your Airbags

---

### ***Dual-Stage Airbags***

Your front airbags are dual-stage airbags. This means they have two inflation stages that can be ignited sequentially or simultaneously, depending on crash severity.

In a ***more severe*** crash, both stages will ignite simultaneously to provide the quickest and greatest protection.

In a ***less severe*** crash, one stage will ignite first, then the second stage will ignite a split second later. This provides longer airbag inflation time with a little less force.

### ***Dual-Threshold Airbags***

Your front airbags are also dual-threshold airbags. Airbags with this feature have two deployment thresholds that depend on whether or not the occupant is wearing a seat belt.

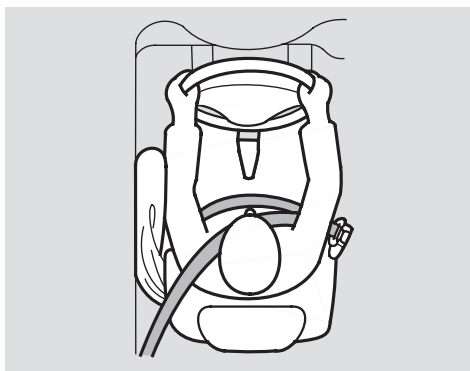
If the occupant's belt is ***not latched***, the airbag will deploy at the same threshold as a conventional airbag, because the occupant would need additional protection.

If the occupant's belt ***is latched***, the airbag will inflate at a slightly higher threshold, when the airbag would be needed to supplement the protection provided by the seat belt.

## Additional Information About Your Airbags

### How Your Side Airbags Work

*Optional on EX models*



If you ever have a moderate to severe side impact, the sensors will detect rapid deceleration and signal the control unit to instantly inflate either the driver's or the passenger's side airbag.

Only one airbag will deploy during a side impact. If the impact is on the passenger's side, the passenger's side airbag will deploy even if there is no passenger.

To get the best protection from the side airbags, occupants should wear their seat belts and sit upright and well back in their seats.

The passenger's side airbag has a cutoff system designed to turn off the passenger's side airbag if a child's head is in the airbag's deployment path (see page 27).

If the side airbag off indicator comes on, have the passenger sit upright. Once the passenger is out of the deployment path of the side airbag, the system will turn the airbag back on and the indicator will go out within a few seconds.

A front seat passenger should not use a cushion or other object as a backrest. It may prevent the cutoff system from working properly.

## Additional Information About Your Airbags

### How the SRS Indicator Works



The SRS indicator alerts you to a potential problem with your front airbags, side airbags, or front seat belt tensioners (see page 55 ).

When you turn the ignition switch to ON (II), this indicator will come on briefly then go out. This tells you that the system is working properly.

If the indicator comes on at any other time, or does not come on at all, you should have the system checked by your dealer. For example:

- If the SRS indicator does not come on after you turn the ignition to ON (II).
- If the indicator stays on after the engine starts.
- If the indicator comes on or flashes on and off while you drive.

If you see any of these indications, airbags and seat belt tensioners may not work when you need them.

### **⚠ WARNING**

Ignoring the SRS indicator can result in serious injury or death if the airbag systems or tensioners do not work properly.

Have your vehicle checked by a dealer as soon as possible if the SRS indicator alerts you to a possible problem.

## Additional Information About Your Airbags

### How the Side Airbag Off Indicator Works

*Optional on EX models*



This indicator alerts you that the passenger's side airbag has been automatically shut off. It does *not* mean there is a problem with your side airbags.

To reduce the risk of injury from an inflating side airbag, your vehicle has an automatic cutoff system for the passenger's side airbag.

Although Honda does not encourage children to ride in front, this system is designed to shut off the side airbag if a child leans sideways and the child's head is in the side airbag deployment path.

If a short adult leans sideways, or a larger adult slouches and leans sideways into the deployment path, the system may also shut off the side airbag.

When you turn the ignition switch to ON (II), the indicator should light briefly and go out. If it doesn't light, stays on, or comes on while driving without a passenger or object in the front seat, have the system checked.

### Airbag Service

Your airbag systems are virtually maintenance-free, and there are no parts you can safely service. However, you must have your vehicle serviced if:

- ***An airbag ever inflates.*** Any airbag that has deployed must be replaced along with the control unit and other related parts. If a front airbag inflates, the seat belt tensioners must also be replaced. Do not try to remove or replace any airbag by yourself. This must be done by a Honda dealer or a knowledgeable body shop.
- ***The SRS indicator alerts you to a problem.*** Take your vehicle to an authorized Honda dealer as soon as possible. If you ignore this indication, your airbags may not operate properly.

## Additional Information About Your Airbags

---

### Additional Safety Precautions

- **Do not attempt to deactivate your airbags.** Together, airbags and seat belts provide the best protection.
- **Do not tamper with airbag components or wiring for any reason.** Tampering could cause the airbags to deploy, possibly causing very serious injury.
- **Do not expose the front seat-backs to liquid.** If water or another liquid soaks into a seat-back, it can prevent the side airbag cutoff system from working properly.

- **Do not cover or replace front seat-back covers without consulting a Honda dealer.** Improperly replacing or covering front seat-back covers can prevent your side airbags from inflating during a side impact.

**Infants and small children must be restrained in an approved child seat that is properly secured to the vehicle** (see pages [34](#) – [43](#)).

**Larger children must be restrained with a lap/shoulder belt and ride on a booster until the seat belt fits them properly** (see pages [44](#) – [47](#)).

## Protecting Children – General Guidelines



Children depend on adults to protect them. However, despite their best intentions, many adults do not know how to properly protect child passengers.

### **⚠ WARNING**

Children who are unrestrained or improperly restrained can be seriously injured or killed in a crash.

Any child too small for a seat belt should be properly restrained in a child seat. A larger child should be properly restrained with a seat belt and use a booster if necessary.

If you have children, or if you ever need to drive with a child in your vehicle, be sure to read this section. It begins with important general guidelines, then presents special information for infants, small children, and larger children.

### **All Children Must Be Restrained**

Each year, many children are injured or killed in vehicle crashes because they are either unrestrained or not properly restrained. In fact, vehicle accidents are the number one cause of death of children ages 12 and under.

To reduce the number of child deaths and injuries, every state and Canadian province requires that infants and children be properly restrained when they ride in a vehicle.

## Protecting Children – General Guidelines

---

### **All Children Should Sit in the Back Seat**

According to accident statistics, children of all ages and sizes are safer when they are restrained in the back seat. The National Highway Traffic Safety Administration and Transport Canada recommend that all children age 12 and under be properly restrained in the back seat.

Children who ride in back are less likely to be injured by striking interior vehicle parts during a collision or hard braking. Also, children cannot be injured by an inflating airbag when they ride in the back.

### **The Passenger's Front Airbag Poses Serious Risks**

Front airbags have been designed to help protect adults in a moderate to severe frontal collision. To do this the passenger's front airbag is quite large and it can inflate with enough force to cause very serious injuries.

#### ***Infants***

***Never put a rear-facing child seat in the front seat of a vehicle equipped with a passenger's front airbag.*** If the airbag inflates, it can hit the back of the child seat with enough force to kill or very seriously injure an infant.

#### ***Small Children***

***Placing a forward-facing child seat in the front seat of a vehicle equipped with a passenger's front airbag can be hazardous.*** If the vehicle seat is too far forward, or the child's head is thrown forward during a collision, an inflating front airbag can strike the child with enough force to kill or very seriously injure a small child.

#### ***Larger Children***

***Children who have outgrown child seats are also at risk of being injured or killed by an inflating passenger's front airbag.*** Whenever possible, larger children should sit in the back seat, in a booster seat if needed, and be properly restrained with a seat belt (see page 44 for important information about protecting larger children).

**U.S. Models**

To remind you of the passenger's front airbag hazards, and that children must be properly restrained in the back seat, your vehicle has warning labels on the dashboard and on the driver's and front passenger's visors. Please read and follow the instructions on these labels.

	<b>WARNING</b>
	<p>DEATH or SERIOUS INJURY can occur</p> <ul style="list-style-type: none"> <li>• Children 12 and under can be killed by the air bag</li> <li>• The BACK SEAT is the SAFEST place for children</li> <li>• NEVER put a rear-facing child seat in the front</li> <li>• Sit as far back as possible from the air bag</li> <li>• ALWAYS use SEAT BELTS and CHILD RESTRAINTS</li> </ul>

	<b>WARNING</b>
<b>Children Can Be KILLED or INJURED by Passenger Air Bag</b>	
<ul style="list-style-type: none"> <li>• The back seat is the safest place for children 12 and under.</li> <li>• Make sure all children use seat belts or child seats.</li> </ul>	
To be removed by owner only.	

**Canadian Models**

To remind you of the front airbag hazards, your vehicle has warning labels on the driver's and front passenger's visors. Please read and follow the instructions on these labels.

<p><b>CAUTION</b></p> <p>TO AVOID SERIOUS INJURY:</p> <ul style="list-style-type: none"> <li>• FOR MAXIMUM SAFETY PROTECTION IN ALL TYPES OF CRASHES, YOU MUST ALWAYS WEAR YOUR SAFETY BELT.</li> <li>• DO NOT INSTALL REARWARD-FACING CHILD SEATS IN ANY FRONT PASSENGER SEAT POSITION.</li> <li>• DO NOT SIT OR LEAN UNNECESSARILY CLOSE TO THE AIR BAG.</li> <li>• DO NOT PLACE ANY OBJECTS OVER THE AIR BAG OR BETWEEN THE AIR BAG AND YOURSELF.</li> <li>• SEE THE OWNER'S MANUAL FOR FURTHER INFORMATION AND EXPLANATIONS.</li> </ul>	<p><b>PRECAUTIONS:</b></p> <p>POUR EVITER DES BLESSURES GRAVES:</p> <ul style="list-style-type: none"> <li>• POUR PROFITER D'UNE PROTECTION MAXIMALE LORS D'UNE COLLISION BOUCLEZ TOUJOURS VOTRE CEINTURE DE SECURITE.</li> <li>• N'INSTALLEZ JAMAIS UN SIEGE POUR ENFANTS FAISANT FACE A L'ARRIERE SUR LE SIEGE DU PASSAGER AVANT.</li> <li>• NE VOUS APPUYEZ PAS ET NE VOUS ASSOYEZ PAS PRES DU COUSSIN GONFLABLE.</li> <li>• NE DEPOSEZ AUCUN OBJET SUR LE COUSSIN GONFLABLE OU ENTRE LE COUSSIN GONFLABLE ET VOUS.</li> <li>• LISEZ LE GUIDE UTILISATEUR POUR DE PLUS AMPLES RENSEIGNEMENTS.</li> </ul>
---	---

## Protecting Children – General Guidelines

---

### If You Must Drive with Several Children

Your vehicle has two seating positions in the back seat where children can be properly restrained. If you ever have to carry more children, and a child must ride in front:

- Place the largest child in the front seat, provided the child is large enough to wear the lap/shoulder belt properly (see page 44).
- Move the vehicle seat as far to the rear as possible (see page 11).
- Have the child sit upright and well back in the seat (see page 30).
- Make sure the seat belt is properly positioned and secured (see page 14).

### If a Child Requires Close Attention

Many parents say they prefer to put an infant or small child in the front passenger seat so they can watch the child, or because the child requires attention.

Placing a child in the front seat exposes the child to hazards from the passenger's front airbag, and paying close attention to a child distracts the driver from the important tasks of driving, placing both of you at risk.

If a child requires close physical attention or frequent visual contact, we strongly recommend that another adult ride with the child in the back seat. The back seat is far safer for a child than the front.

### Additional Safety Precautions

- Never hold an infant or child on your lap. If you are not wearing a seat belt in a crash, you could be thrown forward and crush the child against the dashboard or a seat-back. If you are wearing a seat belt the child can be torn from your arms and be seriously hurt or killed.
- Never put a seat belt over yourself or a child. During a crash, the belt could press deep into the child and cause serious or fatal injuries.
- Never let two children use the same seat belt. If they do, they could be very seriously injured in a crash.

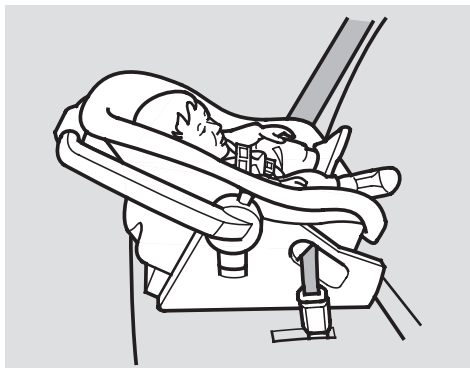
- Do not leave children alone in a vehicle. Leaving children without adult supervision is illegal in most states and Canadian provinces, and can be very hazardous.

For example, infants and small children left in a vehicle on a hot day can die from heatstroke. And children left alone with the key in the ignition can accidentally set the vehicle in motion, possibly injuring themselves or others.

- Lock all doors and the hatch when your vehicle is not in use. Children who play in vehicles can accidentally get trapped inside the vehicle. Teach your children not to play in or around vehicles.
- Keep vehicle keys and remote transmitters (on some models) out of the reach of children. Even very young children learn how to unlock vehicle doors, turn on the ignition, and open the tailgate or hatch, which can lead to accidental injury or death.

## Protecting Infants and Small Children

### Protecting Infants



#### **Child Seat Type**

Only a rear-facing child seat provides proper support for a baby's head, neck, and back.

An infant must be properly restrained in a rear-facing, reclining child seat until the child reaches the seat maker's weight or height limit for the seat, and the child is at least one year old.

#### **⚠ WARNING**

Placing a rear-facing child seat in the front seat can result in serious injury or death if the passenger's front airbag inflates.

Always place a rear-facing child seat in the back seat, not the front.

Two types of seats may be used: a seat designed exclusively for infants, or a convertible seat used in the rear-facing, reclining mode.

*Do not put a rear-facing child seat in a forward-facing position. If placed facing forward, an infant could be very seriously injured during a frontal collision.*

***Child Seat Placement***

In this vehicle, a rear-facing child seat can be placed in any seating position in the back seat, but not in the front seat.

***Never put a rear-facing child seat in the front seat.*** If the passenger's front airbag inflates, it can hit the back of the child seat with enough force to kill or seriously injure an infant.

When properly installed, a rear-facing child seat may prevent the driver or a front passenger from moving the seat as far back as recommended, or from locking the seat-back in the desired position.

In either of these situations, we strongly recommend that you install the child seat directly behind the front passenger seat, move the front seat as far forward as needed, and leave it unoccupied. Or you may wish to get a smaller child seat that allows you to safely carry a front passenger.

## Protecting Infants and Small Children

### Protecting Small Children



#### **Child Seat Type**

A child who is at least one year old, and who fits within the child seat maker's weight and height limits, should be restrained in a forward-facing, upright child seat.

Of the different seats available, we recommend those that have a five-point harness system as shown.

We also recommend that a small child stay in the child seat as long as possible, until the child reaches the weight or height limit for the seat.

#### **Child Seat Placement**

We strongly recommend placing a forward-facing child seat in a back seat, not the front.

***Placing a forward-facing child seat in the front seat of a vehicle equipped with a passenger's airbag can be hazardous.*** If the vehicle seat is too far forward, or the child's head is thrown forward during a collision, an inflating airbag can strike the child with enough force to cause very serious or fatal injuries.

If it is necessary to put a forward-facing child seat in the front, move the vehicle seat as far to the rear as possible, be sure the child seat is firmly secured to the vehicle, and the child is properly strapped in the seat.

#### **⚠ WARNING**

Placing a forward-facing child seat in the front seat can result in serious injury or death if the front airbag inflates.

If you must place a forward-facing child seat in front, move the vehicle seat as far back as possible, and properly restrain the child.

When buying a child seat, you need to choose between a conventional child seat, or one designed for use with the Lower Anchors and Tethers for Children (LATCH) system.

Conventional child seats must be secured to a vehicle with a seat belt, whereas LATCH-compatible seats are secured by attaching the seat to hardware built into the rear seat.

Since LATCH-compatible child seats are easier to install and reduce the possibility of improper installation, we recommend selecting this style.

We also recommend selecting a LATCH-compatible seat with a rigid, rather than a flexible, anchor (see page 39).

In seating positions and vehicles not equipped with LATCH, a LATCH-compatible child seat can be installed using a seat belt.

Whatever type of seat you choose, to provide proper protection, a child seat should meet three requirements:

**1. The child seat should meet U.S. or Canadian Motor Vehicle Safety Standard 213.** Look for FMVSS 213 or CMVSS 213 on the box.

**2. The child seat should be of the proper type and size to fit the child.** Rear-facing for infants, forward-facing for small children.

**3. The child seat should fit the vehicle seating position (or positions) where it will be used.**

Before purchasing a conventional child seat, or using a previously purchased one, we recommend that you test the seat in the specific vehicle seating position, or positions, where the seat will be used.

## Installing a Child Seat

---

After selecting a proper child seat, and a good place to install the seat, there are three main steps in installing the seat:

- 1. Properly secure the child seat to the vehicle.** All child seats must be secured to the vehicle with the lap part of a lap/shoulder belt or with the LATCH (Lower Anchors and Tethers for Children) system. A child whose seat is not properly secured to the vehicle can be endangered in a crash.
- 2. Make sure the child seat is firmly secured.** After installing a child seat, push and pull the seat forward and from side to side to verify that it is secure.

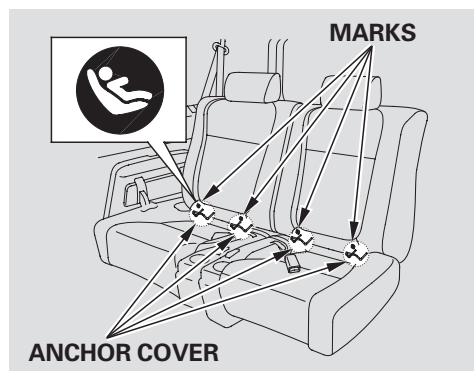
A child seat secured with a seat belt should be installed as firmly as possible. However, it does not need to be "rock solid." Some side-to-side movement can be expected and should not reduce the child seat's effectiveness.

If the child seat is not secure, try installing it in a different seating position, or use a different style of child seat that can be firmly secured.

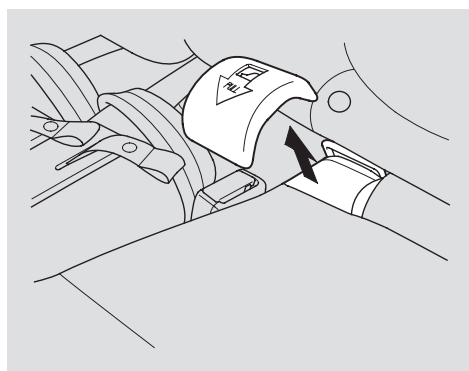
- 3. Secure the child in the child seat.** Make sure the child is properly strapped in the child seat according to the child seat maker's instructions. A child who is not properly secured in a child seat can be seriously injured in a crash.

The following pages provide guidelines on how to properly install a child seat. A forward-facing child seat is used in all examples, but the instructions are the same for rear-facing child seats.

**Installing a Child Seat Using LATCH**

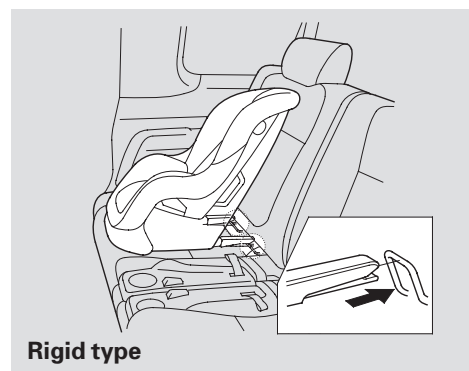


Your vehicle is equipped with LATCH (Lower Anchors and Tethers for Children) at the rear seats. The lower anchors are located between the seat-back and seat bottom, and are to be used only with a child seat designed for use with LATCH. The location of each lower anchor is marked with a small button above the point.



To install a LATCH-compatible child seat:

1. Remove both anchor covers by pulling forward.
2. Make sure there are no objects near the anchors that could prevent a secure connection between the child seat and anchors.



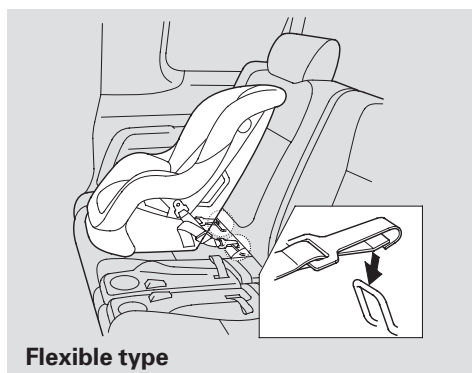
Rigid type

3. Place the child seat on the vehicle seat, and attach the seat to the lower anchors according to the child seat maker's instructions.

Some LATCH-compatible seats have a rigid-type connection as shown above.

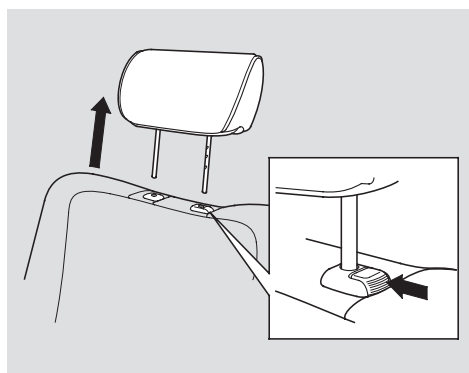
CONTINUED

## Installing a Child Seat



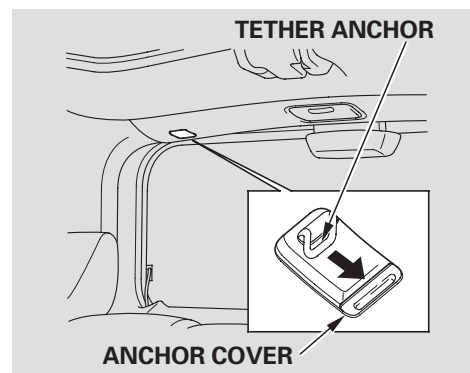
Other LATCH-compatible seats have a flexible-type connection as shown above.

4. Whatever type you have, follow the child seat maker's instructions for adjusting or tightening the fit.

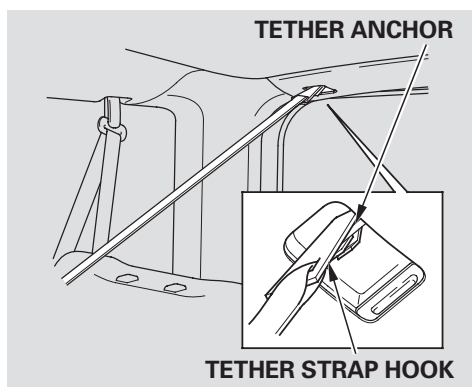


5. Remove the head restraint (see page 75). Make sure the removed head restraints are secured in the cargo area, and reinstalled when the child seat is removed.

6. Route the tether strap over the top of the seat-back, making sure the strap is not twisted.



7. Slide the anchor cover open.



**Installing a Child Seat with a Lap/Shoulder Belt**

When not using the LATCH system, all child seats must be secured to the vehicle with the lap part of a lap/shoulder belt.

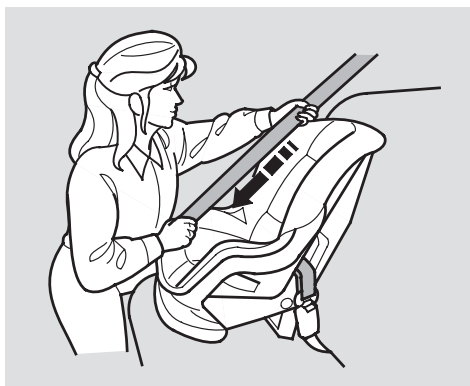
In addition, the lap/shoulder belts in the back seating positions, and in the front passenger seat, have a locking mechanism that must be activated to secure a child seat.



8. Attach the tether strap hook to the tether anchor, then tighten the strap as instructed by the child seat maker.
9. Push and pull the child seat forward and from side-to-side to verify that it is secure.

1. With the child seat in the desired seating position, route the belt through the child seat according to the seat maker's instructions, then insert the latch plate into the buckle.

## Installing a Child Seat

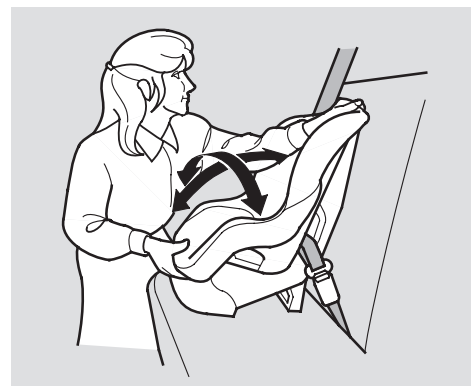


2. To activate the lockable retractor, slowly pull the shoulder part of the belt all the way out until it stops, then let the belt feed back into the retractor.
3. After the belt has retracted, tug on it. If the belt is locked, you will not be able to pull it out. If you can pull the belt out, it is not locked, and you will need to repeat these steps.



4. After confirming that the belt is locked, grab the shoulder part of the belt near the buckle and pull up to remove any slack from the lap part of the belt. Remember, if the lap part of the belt is not tight, the child seat will not be secure.

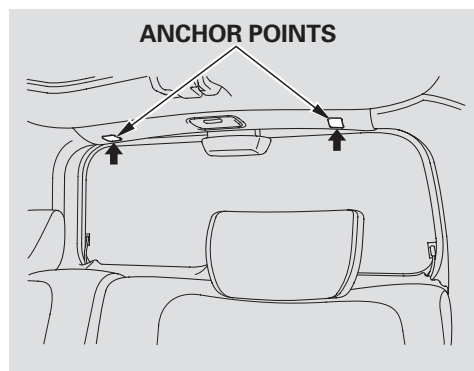
To remove slack, it may help to put weight on the child seat, or push on the back of the seat while pulling up on the belt.



5. Push and pull the child seat forward and from side to side to verify that it is firmly secured. If the child seat is not secure, unlatch the belt, allow it to retract fully, then repeat these steps.

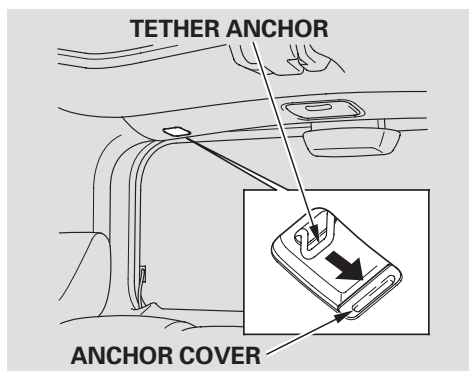
To deactivate the locking mechanism and remove a child seat, unlatch the buckle, unroute the seat belt, and let the belt fully retract.

### Installing a Child Seat with a Tether

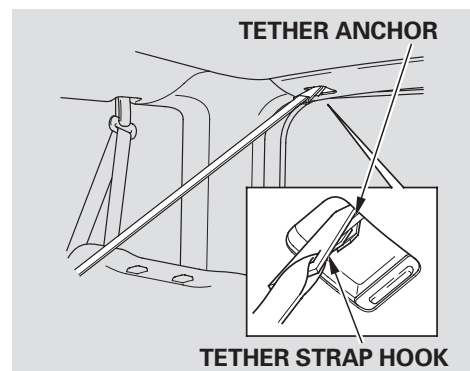


A child seat with a tether can be installed in either seating position in the back seat, using one of the anchorage points shown above.

Since a tether can provide additional security to the lap/shoulder belt installation, we recommend using a tether whenever one is required or available. (Tethers are required in Canada.)



1. After securing the child seat in the desired position (see page 41), remove the head restraint, then route the tether strap over the top of the seat-back.



2. Slide the anchor cover open, then attach the tether strap hook to the anchor, making sure the strap is not twisted.

3. Tighten the strap according to the seat maker's instructions.

## Protecting Larger Children

---

When a child reaches the recommended weight or height limit for a forward-facing child seat, the child should sit in a back seat on a booster and wear a lap/shoulder belt.

The following pages give instructions on how to check proper seat belt fit, what kind of booster seat to use if one is needed, and important precautions for a child who must sit in front.

### **⚠ WARNING**

Allowing a larger child age 12 or under to sit in front can result in injury or death if the passenger's front airbag inflates.

If a larger child must ride in front, move the vehicle seat as far back as possible, use a booster seat if needed, have the child sit up properly and wear the seat belt properly.

### Checking Seat Belt Fit



To determine if a lap/shoulder belt properly fits a child, have the child put on the seat belt, then ask yourself:

1. Does the child sit all the way back against the seat?
2. Do the child's knees bend comfortably over the edge of the seat?

3. Does the shoulder belt cross between the child's neck and arm?
4. Is the lap part of the belt as low as possible, touching the child's thighs?
5. Will the child be able to stay seated like this for the whole trip?

If you answer yes to all these questions, the child is ready to wear the lap/shoulder belt correctly. If you answer no to any question, the child needs to ride on a booster seat.

### Using a Booster Seat



A child who has outgrown a forward-facing child seat should ride in a back seat and use a booster seat until the lap/shoulder belt fits them properly without the booster.

## Protecting Larger Children

Some states also require children to use a booster until they reach a given age or weight (e.g., 6 years or 60 lbs). Be sure to check current laws in the state or states where you intend to drive.

Booster seats can be high-back or low-back. Whichever style you select, make sure the booster meets federal safety standards and that you follow the booster seat maker's instructions.

If a child who uses a booster must ride in front, move the vehicle seat as far back as possible, and be sure the child is wearing the seat belt properly.

A child may continue using a booster seat until the tops of their ears are even with the top of the vehicle's or booster's seat-back. A child of this height should be tall enough to use the lap/shoulder belt without a booster.

### When Can a Larger Child Sit in Front

The National Highway Traffic Safety Administration and Transport Canada recommend that all children age 12 and under be properly restrained in the back seat.

If the passenger's front airbag inflates in a moderate to severe frontal collision, the airbag can cause serious injuries to a child who is unrestrained, improperly restrained, sitting too close to the airbag, or out of position.

On models with side airbags, the passenger's airbag also poses risks. If any part of a larger child's body is in the path of a deploying side airbag, the child could receive possibly serious injuries.

Of course, children vary widely. And while age may be one indicator of when a child can safely ride in the front, there are other important factors you should consider.

#### *Maturity*

To safely ride in front, a child must be able to follow the rules, including sitting properly, and wearing the seat belt properly throughout a ride.

#### *Physical Size*

Physically, a child must be large enough for the lap/shoulder belt to properly fit (see page 45). If the seat belt does not fit properly, with or without the child sitting on a booster, the child should not sit in the front.

If you decide that a child can safely ride up front, be sure to:

- Carefully read the owner's manual, and make sure you understand all seat belt instructions and all safety information.
- Move the vehicle seat to the rear-most position.
- Have the child sit up straight, back against the seat, and feet on or near the floor.
- Check that the child's seat belt is properly positioned and secured.
- Supervise the child. Even mature children sometimes need to be reminded to fasten the seat belts or sit properly.

#### **Additional Safety Precautions**

***Do not let a child wear a seat belt across the neck.*** This could result in serious neck injuries during a crash.

***Do not let a child put the shoulder part of a seat belt behind the back or under the arm.*** This could cause very serious injuries during a crash. It also increases the chance that the child will slide under the belt in a crash and be injured.

***Two children should never use the same seat belt.*** If they do, they could be very seriously injured in a crash.

***Do not put any accessories on a seat belt.*** Devices intended to improve a child's comfort or reposition the shoulder part of a seat belt can make the belt less effective, and increase the chance of serious injury in a crash.

## Carbon Monoxide Hazard

Your vehicle's exhaust contains carbon monoxide gas. You should have no problem with carbon monoxide entering the vehicle in normal driving if you maintain your vehicle properly.

Have the exhaust system inspected for leaks whenever:

- The vehicle is raised for an oil change.
- You notice a change in the sound of the exhaust.
- The vehicle was in an accident that may have damaged the underside.

### **⚠ WARNING**

Carbon monoxide gas is toxic. Breathing it can cause unconsciousness and even kill you.

Avoid any enclosed areas or activities that expose you to carbon monoxide.

High levels of carbon monoxide can collect rapidly in enclosed areas, such as a garage. Do not run the engine with the garage door closed. Even with the door open, run the engine only long enough to move the vehicle out of the garage.

With the tailgate/hatch open, air flow can pull exhaust gas into your vehicle's interior and create a hazardous condition. If you must drive with the tailgate/hatch open, open all the windows and set the heating and cooling system as shown below.

If you must sit in your parked vehicle, even in an unconfined area, with the engine running, adjust the heating and cooling system as follows:

1. Select the Fresh Air mode.
2. Select the  mode.
3. Turn the fan on high speed.
4. Set the temperature control to a comfortable setting.

These labels are in the locations shown. They warn you of potential hazards that could cause serious injury. Read these labels carefully. If a label comes off or becomes hard to read, contact your Honda dealer for a replacement.

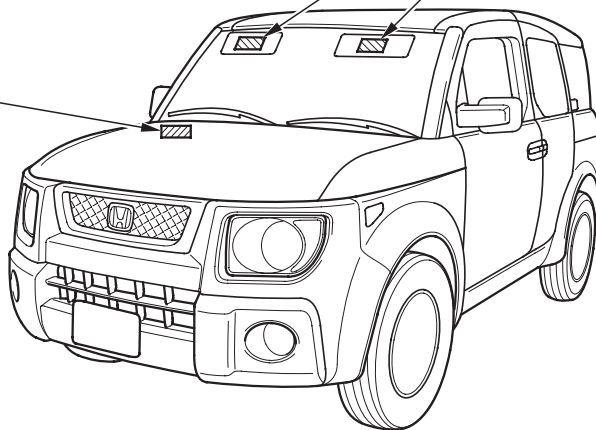
**DASHBOARD**  
*U.S. models only*

**⚠ WARNING**

**Children Can Be KILLED or INJURED by Passenger Air Bag**

- The back seat is the safest place for children 12 and under.
- Make sure all children use seat belts or child seats.

To be removed by owner only.



**SUN VISOR**

*U.S. models*

**⚠ WARNING**

DEATH or SERIOUS INJURY can occur

- Children 12 and under can be killed by the air bag
- The BACK SEAT is the SAFEST place for children
- NEVER put a rear-facing child seat in the front
- Sit as far back as possible from the air bag
- ALWAYS use SEAT BELTS and CHILD RESTRAINTS

*Canadian models*

<p><b>CAUTION TO AVOID SERIOUS INJURY:</b></p> <ul style="list-style-type: none"> <li>• FOR MAXIMUM SAFETY PROTECTION IN ALL TYPES OF CRASHES, YOU MUST ALWAYS WEAR YOUR SAFETY BELT.</li> <li>• DO NOT INSTALL REARWARD-FACING CHILD SEAT IN ANY FRONT PASSENGER SEAT POSITION.</li> <li>• DO NOT SET OR LEAN UNNECESSARILY AGAINST THE AIR BAG.</li> <li>• DO NOT PLACE ANY OBJECTS OVER THE AIR BAG OR BETWEEN THE AIR BAG AND YOURSELF.</li> <li>• SEE THE OWNER'S MANUAL FOR FURTHER INFORMATION AND EXPLANATIONS.</li> </ul>	<p><b>PRECAUTIONS POUR ÉVITER DES BLESSURES GRAVES:</b></p> <ul style="list-style-type: none"> <li>• POUR PROFITER DE LA PROTECTION MAXIMALE, OUVREZ VOTRE CEINTURE DE SÉCURITÉ.</li> <li>• N'INSTALLEZ JAMAIS UN SIÈGE POUR ENFANTS À L'AVANT D'UNE VOITURE.</li> <li>• NE VOUS APPUYEZ PAS ENLAINANT SUR LE SIÈGE DU PASSENGER AVANT.</li> <li>• NE PAS S'APPUYER SUR LE SIÈGE DU PASSENGER AVANT.</li> <li>• NE POSEZ AUCUN OBJET SUR LE COUSSIN CONFIGURABLE ET VOUS-MÊME.</li> <li>• LIRE LE GUIDE D'UTILISATION POUR DE PLUS AMPLES RENSEIGNEMENTS.</li> </ul>
--	--

*U.S. models only*

**⚠ WARNING: HIGHER ROLLOVER RISK**

	<p>Avoid Abrupt Maneuvers and Excessive Speed.</p> <p>Always Buckle Up.</p> <p>See Owner's Manual For Further Information.</p>	
--	--	--

# Safety Labels

## HOOD

*On models without side airbags*

**▲WARNING**  
 The airbag inflator is explosive and, if accidentally deployed, can seriously hurt you.  
 Follow Service Manual instructions carefully.

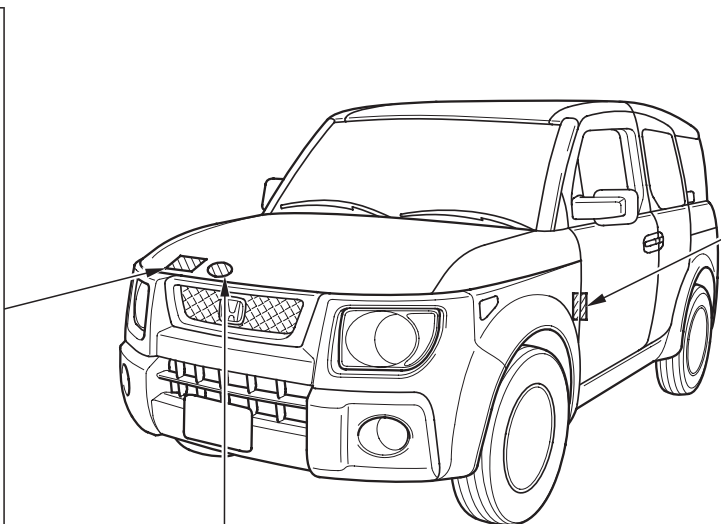
**▲ATTENTION**  
 Le gonfleur SRS est explosible, et s'il se déploie accidentellement, il risque de provoquer des blessures graves ou de tuer. Suivre attentivement les instructions du manuel d'entretien.

*On models with side airbags*

**▲WARNING**  
 Accidental deployment can seriously hurt or kill you.  
 Follow Service Manual instructions carefully.

**▲ATTENTION**  
 Un déploiement accidentel risque de causer de graves blessures, voire mort.  
 Suivre attentivement les Instructions du manuel de réparation.

## RADIATOR CAP



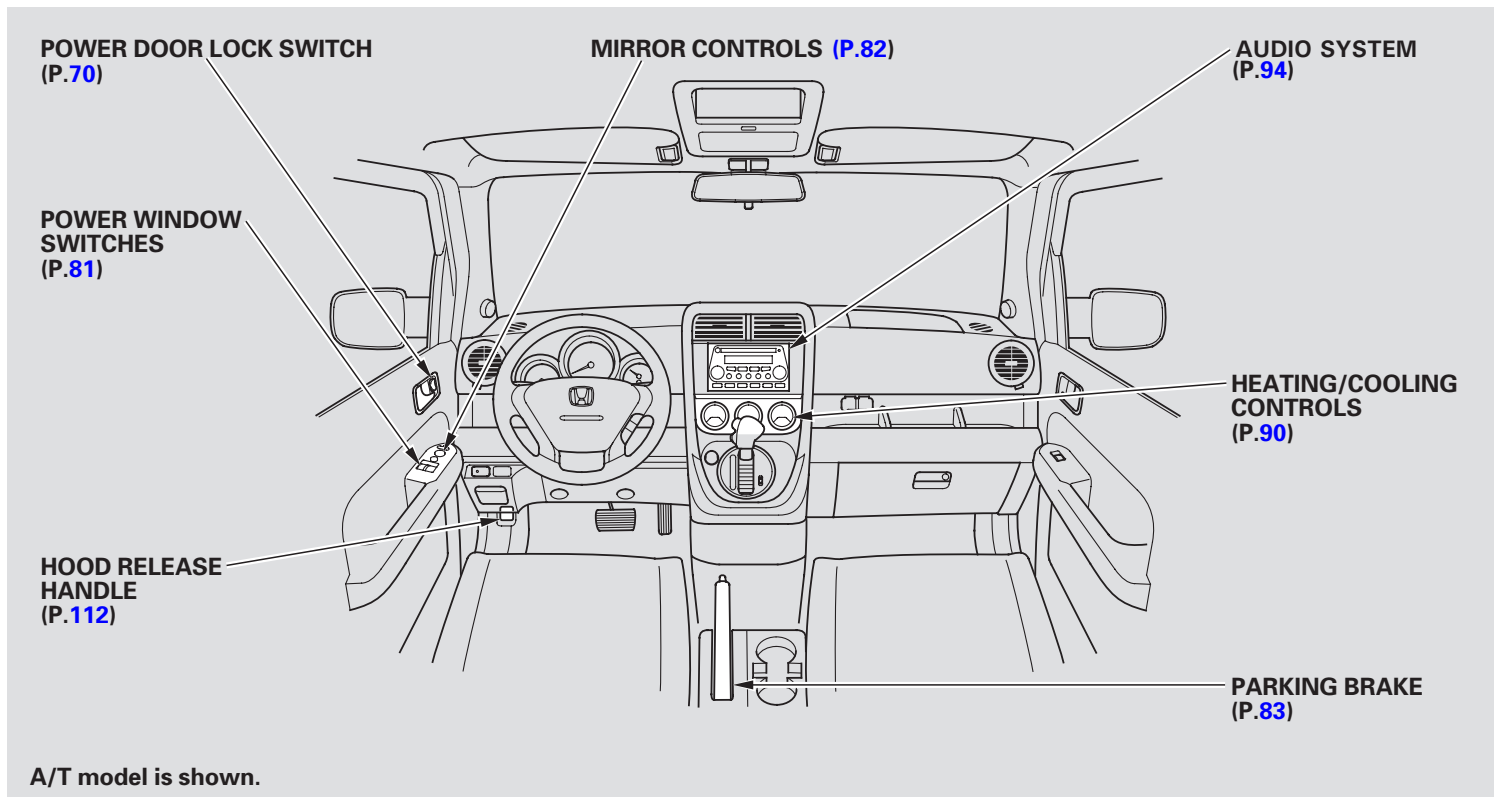
*On models with side airbags*

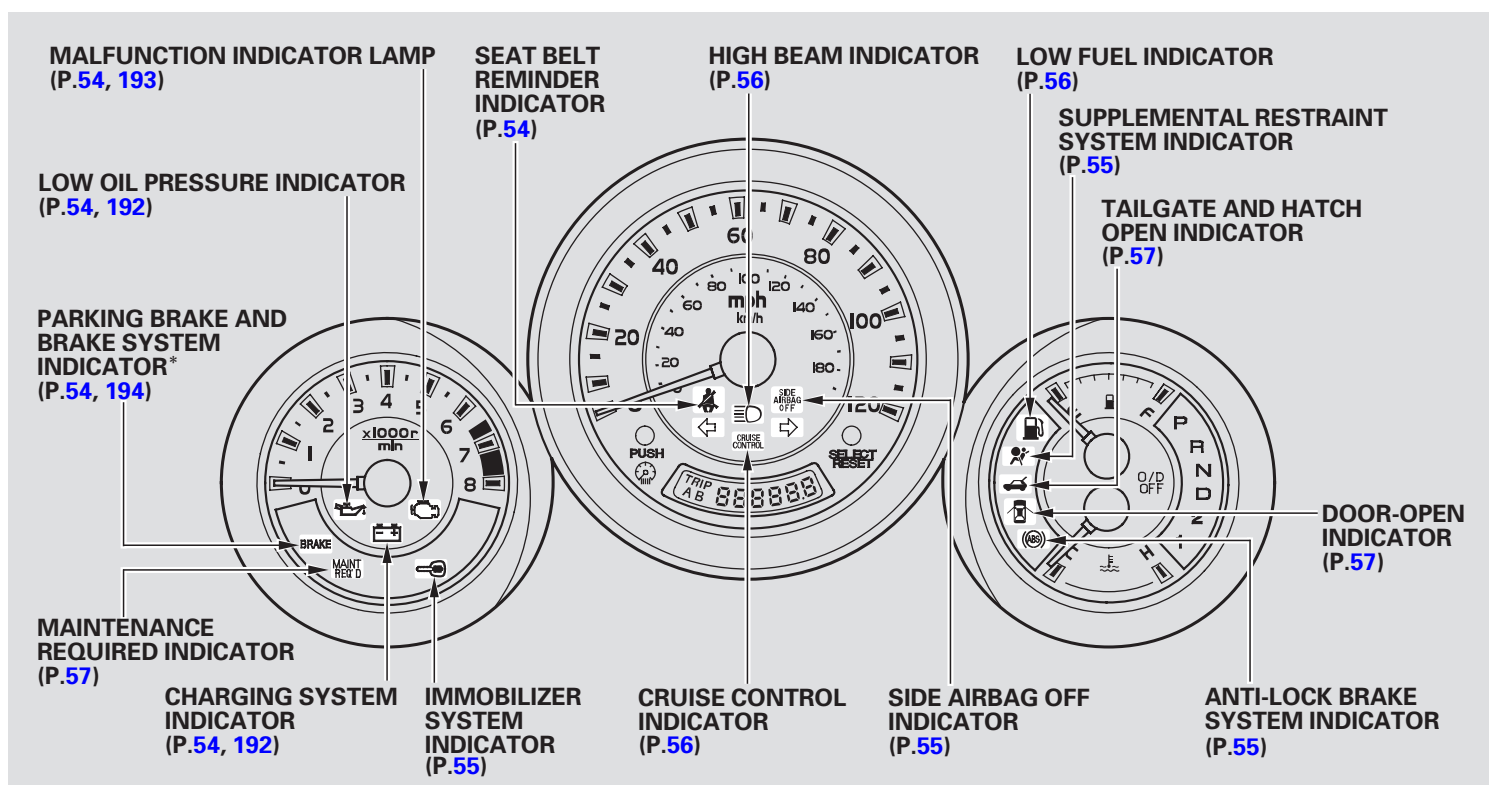
**SIDE AIRBAG (A8)**  
 • This car is equipped with side airbags in the driver's and passenger's seat.  
 • Do not lean against the door.  
 • See owner's manual for more information.

**SIDE AIRBAG (C8)**  
 • This car is equipped with side airbags in the driver's and passenger's seat.  
 • Do not lean against the door.  
 • See owner's manual for more information.

**COUSSIN GONFLABLE LATÉRAL**  
 • Cette voiture est équipée de coussins gonflables latéraux dans les sièges du conducteur et du passager.  
 • Ne vous appuyez pas sur la porte.  
 • Consultez le Manuel du propriétaire pour en savoir plus.

## Control Locations





\* The U.S. instrument panel is shown. Differences for the Canadian models are noted in the text.

## Instrument Panel

The instrument panel has many indicators that give you important information about your vehicle.



### Malfunction Indicator Lamp

See page [193](#).



### Low Oil Pressure Indicator

The engine can be severely damaged if this indicator flashes or stays on when the engine is running. For more information, see page [192](#).



### Charging System Indicator

If this indicator comes on when the engine is running, the battery is not being charged. For more information, see page [192](#).

### U.S. Canada Parking Brake and Brake System Indicator

This indicator has two functions:

1. It comes on when you turn the ignition switch to ON (II). It is a reminder to check the parking brake. Driving with the parking brake not fully released can damage the brakes and tires.
2. If the indicator remains lit after you have fully released the parking brake while the engine is running, or if it comes on while driving, it can indicate a problem in the brake system. For complete information, see page [194](#).



### Seat Belt Reminder Indicator

This indicator comes on when you turn the ignition switch to ON (II). It is a reminder you and your passengers to protect yourselves by fastening your seat belts.

If you do not fasten your seat belt, the indicator stays on until you do. The indicator stays off if you fasten your seat belt before turning on the ignition.

**Supplemental Restraint System Indicator**

This indicator comes on when you turn the ignition switch to ON (II). If it comes on at any other time, it indicates a potential problem with your front airbags. This indicator will also alert you to a potential problem with your side airbags, passenger's side airbag automatic cutoff system or automatic seat belt tensioners. For complete information, see page [26](#).

**Side Airbag Off Indicator**

*Optional on EX models*

This indicator comes on when you turn the ignition switch to ON (II). If it comes on at any other time, it indicates that the passenger's side airbag has automatically shut off. For more information, see page [25](#).

**Anti-lock Brake System (ABS) Indicator**

*EX models only*

This indicator normally comes on for a few seconds when you turn the ignition switch to ON (II), and when the ignition switch is turned to START (III). If it comes on at any other time, there is a problem with the ABS. If this happens, have your vehicle checked at a dealer. With this on, your vehicle still has normal braking ability but no anti-lock brakes. For complete information, see page [134](#).

**Immobilizer System Indicator**

This indicator comes on for a few seconds when you turn the ignition switch to ON (II). It will go off if you have inserted a properly-coded ignition key. If it is not a properly-coded key, the indicator will blink and the engine will not start (see page [66](#)).

This indicator also blinks several times when you turn the ignition switch from ON (II) to ACCESSORY (I) or LOCK (0).

## Instrument Panel



### Turn Signal and Hazard Warning Indicators

The left or right turn signal indicator blinks when you signal a lane change or turn. If the indicator does not blink or blinks rapidly, it usually means one of the turn signal bulbs is burned out (see page 167). Replace the bulb as soon as possible, since other drivers cannot see that you are signaling.

When you turn on the Hazard Warning button, both turn signal indicators blink. All turn signals on the outside of the vehicle should flash.



### “Daytime Running Lights” Indicator

*Canadian models only*

This indicator comes on when you turn the ignition switch to ON (II) with the headlight switch off and the parking brake set. It should go off if you turn on the headlights or release the parking brake. If it comes on at any other time, it means there is a problem with the DRL. There may also be a problem with the high beam headlights.



### Cruise Control Indicator

*On EX models*

This comes on when you set the cruise control. See page 107 for information on operating the cruise control.



### High Beam Indicator

This comes on with the high beam headlights. See page 62 for information on the headlight controls.

On Canadian models, this indicator comes on with reduced brightness when the Daytime Running Lights (DRL) are on (see page 62).



### Low Fuel Indicator

This comes on as a reminder that you must refuel soon.

**Washer Level Indicator**

*Canadian models only*

This comes on when the washer fluid level is low. Add washer fluid when you see this light come on (see page 161).

**Tailgate and Hatch Open Indicator**

This indicator comes on if the tailgate or the hatch is not closed tightly.

**Door-open Indicator**

This indicator comes on if any door is not closed tightly.

**Maintenance Required Indicator**

This indicator reminds you that it is time to take your vehicle in for scheduled maintenance. Refer to the Maintenance Schedules for Normal and Severe Driving Conditions on pages 152 – 153.

For the first 8,000 miles (12,800 km) after the Maintenance Required Indicator is reset, it will come on for two seconds when you turn the ignition switch to ON (II).

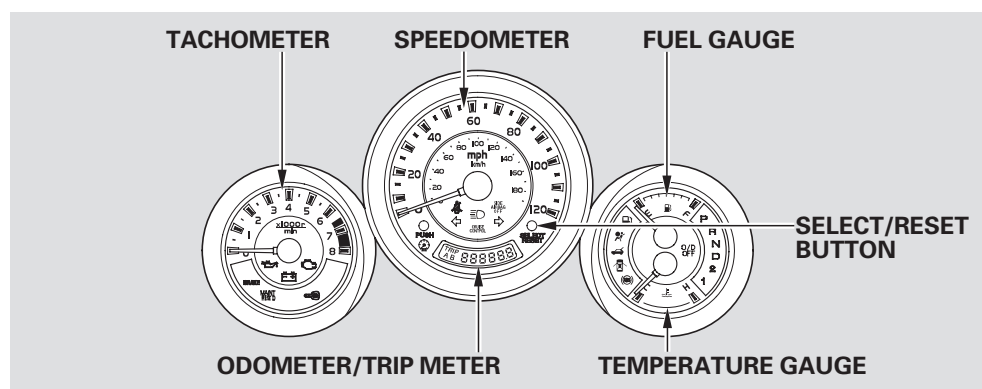
Between 8,000 miles (12,800 km) and 10,000 miles (16,000 km), it will light for two seconds when you first turn the ignition switch to ON (II), and then flash for ten seconds.

If you exceed 10,000 miles (16,000 km) without having the scheduled maintenance performed, this indicator will remain on as a constant reminder.

Your dealer will reset this indicator after completing the scheduled maintenance. If this maintenance is done by someone other than your Honda dealer, reset the indicator as follows.

1. Turn off the engine.
2. Press and hold the Select/Reset button on the instrument panel, then turn the ignition switch to ON (II).
3. Hold the button for about 10 seconds until the indicator goes off.

## Gauges



### Trip Meter

This shows the number of miles (U.S.) or kilometers (Canada) driven since you last reset it.

There are two trip meters: Trip A and Trip B. Switch between these displays and the odometer by pressing the Select/Reset button repeatedly.

Each trip meter works independently, so you can keep track of two different distances.

To reset a trip meter, display it, and then press and hold the Select/Reset button until the number resets to "0.0". Both trip meters will reset if the vehicle's battery goes dead or is disconnected.

### Odometer

This shows the total distance your vehicle has been driven. It measures miles in U.S. models and kilometers in the Canadian models.

It is illegal under U.S. federal law and Canadian provincial regulations to disconnect, reset, or alter the odometer with the intent to change the number of miles or kilometers indicated.

### Fuel Gauge

This shows how much fuel you have. It may show slightly more or less than the actual amount. The needle returns to the bottom after you turn off the ignition.

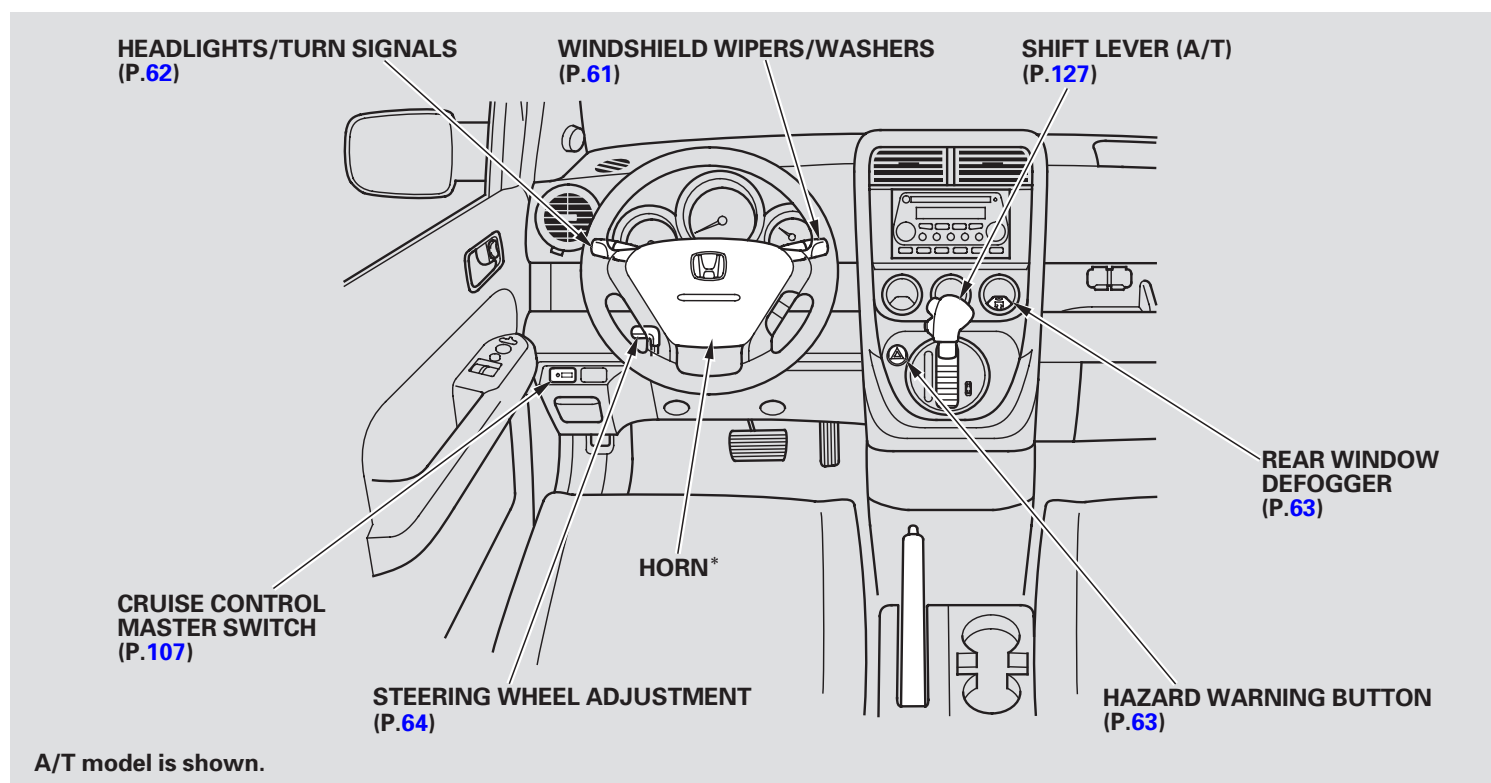
#### NOTICE

*Avoid driving with an extremely low fuel level. Running out of fuel could cause the engine to misfire, damaging the catalytic converter.*

### Temperature Gauge

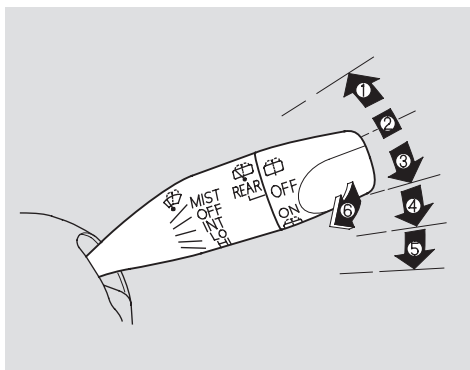
This shows the temperature of the engine's coolant. During normal operation, the pointer should rise to about the middle of the gauge. In severe driving conditions, the pointer may rise to the upper zone. If it reaches the red (Hot) mark, pull safely to the side of the road. Turn to page 190 for instructions and precautions on checking the engine's cooling system.

## Controls Near the Steering Wheel



\*: To use the horn, press the center pad of the steering wheel.

**Windshield Wiper**



- 1. MIST
- 2. OFF
- 3. INT – Intermittent
- 4. LO – Low
- 5. HI – High
- 6. Windshield Washers

Push the right lever up or down to select a position.

**MIST** – The wipers run at high speed until you release the lever.

**OFF** – The wipers are not activated.

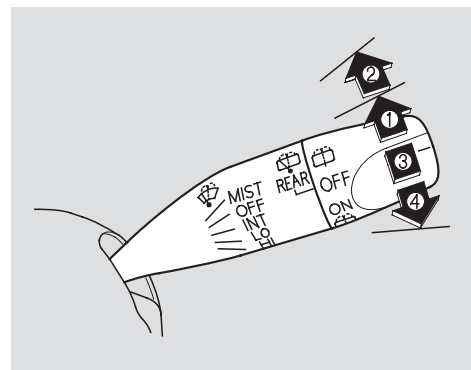
**INT** – The wipers operate every few seconds.

**LO** – The wipers run at low speed.

**HI** – The wipers run at high speed.

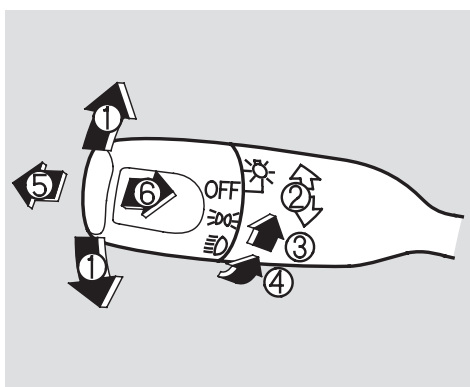
**Windshield Washer** – Pull the wiper control lever toward you and hold it. The washers spray until you release the lever. The wipers run at low speed, then complete one more sweep after you release the lever.

**Rear Window Wiper and Washer**



- 1. Rotate clockwise to turn the rear window wiper ON.
- 2. Hold past ON to turn the window wiper on and the window washer to spray.
- 3. OFF
- 4. Rotate counterclockwise to spray the window washer only.

## Turn Signal and Headlights



1. Turn Signal
2. OFF
3. Parking and indicator lights
4. Headlights on
5. High beams
6. Flash high beams

**Turn Signal** — Push down on the left lever to signal a left turn and up to signal a right turn. To signal a lane change, push lightly on the lever and hold it. The lever will return to center when you release it or complete a turn.

**Headlights On** — Rotating the switch on the left lever to the “☀” position turns on the parking lights, taillights, instrument panel lights, side-marker lights, and rear license plate lights. Turning the switch to the “☞” position turns on the headlights. If you leave the lights on with the key removed from the ignition switch, you will hear a reminder tone when you open the driver’s door.

**High Beams** — To turn on, push the lever forward until you hear a click. The blue high beam indicator will light (see page 56). Pull it back to return to low beams.

To flash the high beams, pull the lever back lightly, then release it. The high beams will stay on as long as you hold the lever back.

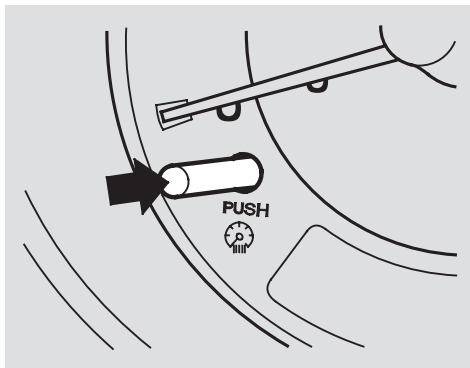
### Daytime Running Lights

*Canadian models only*

With the headlight switch off, the high beam headlights come on with reduced brightness when you turn the ignition switch to ON (II) and release the parking brake. They remain on until you turn the ignition off, even if you set the parking brake. The headlights revert to normal operation when you turn the switch to the “☞” position.

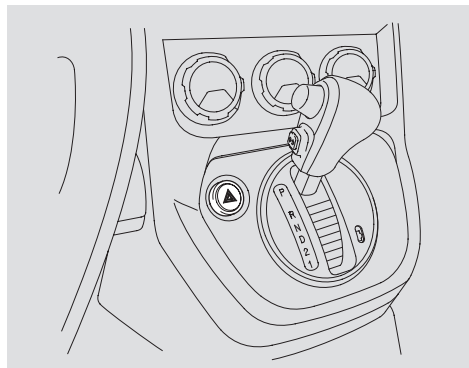
## Instrument Panel Brightness, Hazard Warning Button, Rear Window Defogger

### Instrument Panel Brightness



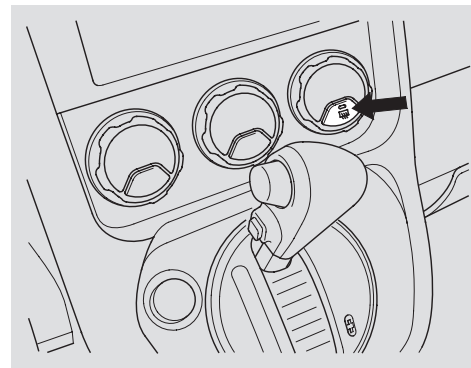
Push the knob in the speedometer repeatedly to adjust the brightness of the instrument panel lights. There are six brightness levels. A segment display shows the current brightness level.

### Hazard Warning Button



Push the button next to the shift lever to turn on the hazard warning lights (four-way flashers). This causes all four outside turn signals and both turn indicators in the instrument panel to flash. Use the hazard warning lights if you need to park in a dangerous area near heavy traffic, or if your vehicle is disabled.

### Rear Window Defogger



The rear window defogger will clear fog, frost, and thin ice from the window. Push the defogger button to turn it on and off. The indicator in the button lights to show the defogger is on. If you do not turn it off, the defogger will shut itself off after about 15 minutes. It also shuts off when you turn off the ignition. You have to turn it on again when you restart the vehicle.

*CONTINUED*

## Rear Window Defogger, Steering Wheel Adjustment

Make sure the rear window is clear and you have good visibility before starting to drive.

The defogger wires on the inside of the rear window can be accidentally damaged. When cleaning the glass, always wipe side-to-side.

### Steering Wheel Adjustment

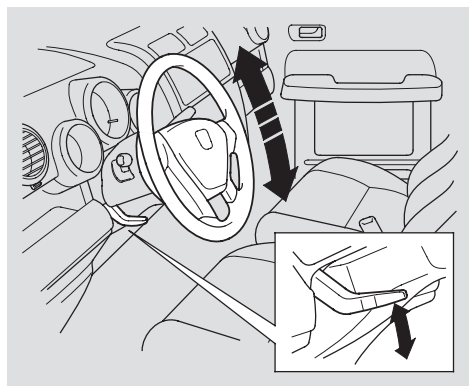
See page 16 for important safety information about how to properly position the steering wheel.

Make any steering wheel adjustment before you start driving.

#### **⚠ WARNING**

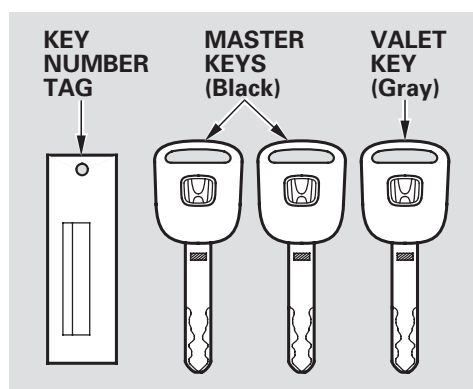
Adjusting the steering wheel position while driving may cause you to lose control of the vehicle and be seriously injured in a crash.

Adjust the steering wheel only when the vehicle is stopped.



1. Push the lever under the left side of the steering column all the way down.
2. Move the steering wheel so it points to your chest, not toward your face. Make sure you can see the instrument panel gauges and indicators.

3. Push the lever up to lock the steering wheel in that position.
4. Make sure you have securely locked the steering wheel in place by trying to move it up and down.



The master key fits all the locks on your vehicle. The valet key works only in the ignition and the door locks. You can keep the glove box and hatch locked when you leave your vehicle and the valet key at a parking facility.

You should have received a key number tag with your keys. You will need this number if you ever have to get a lost key replaced. Use only Honda-approved key blanks.

These keys contain electronic circuits that are activated by the Immobilizer System. They will not work to start the engine if the circuits are damaged.

- Protect the keys from direct sunlight, high temperature, and high humidity.
- Do not drop the keys or set heavy objects on them.
- Keep the keys away from liquids. If they get wet, dry them immediately with a soft cloth.

The keys do not contain batteries. Do not try to take them apart.

Some models also come with two remote transmitters; see page 67 for an explanation of their operation.

## Immobilizer System

The Immobilizer System protects your vehicle from theft. If an improperly-coded key (or other device) is used, the engine's fuel system is disabled.

When you turn the ignition switch to ON (II), the Immobilizer System indicator should come on for a few seconds, then go out. If the indicator starts to blink, it means the system does not recognize the coding of the key. Turn the ignition switch to LOCK (0), remove the key, reinsert it, and turn the switch to ON (II) again.

The system may not recognize your key's coding if another immobilizer key or other metal object is near the ignition switch when you insert the key.

If the system repeatedly does not recognize the coding of your key, contact your Honda dealer.

Do not attempt to alter this system or add other devices to it. Electrical problems could result that may make your vehicle undriveable.

If you have lost your key and cannot start your engine, contact a Honda dealer.

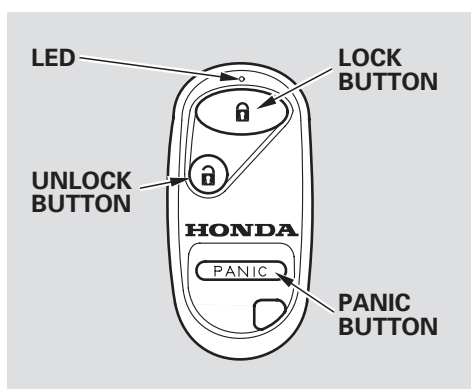
*As required by the FCC:*

*This device complies with Part 15 of the FCC rules. Operation is subject to the following two conditions: (1) This device may not cause harmful interference, and (2) this device must accept any interference received, including interference that may cause undesired operation.*

*Changes or modifications not expressly approved by the party responsible for compliance could void the user's authority to operate the equipment.*

*This device complies with Industry Canada Standard RSS-210.*

*Operation is subject to the following two conditions: (1) this device may not cause interference, and (2) this device must accept any interference that may cause undesired operation of the device.*



*On EX models*

**LOCK** — Press this button once to lock both doors and hatch. Some exterior lights will flash. When you push LOCK twice within 5 seconds, you will hear a beep to verify that the doors are locked. You cannot lock it if any door is not fully closed or key is in the ignition switch.

**UNLOCK** — Press this button once to unlock the driver's door. Push it twice to unlock the passenger's door and the hatch. If you do not open either door or the hatch within 30 seconds, they will automatically relock.

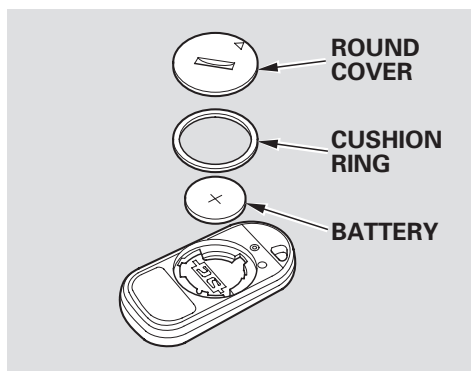
**PANIC** — Press this button for about one second to attract attention; the horn will sound and the exterior lights will flash for about 30 seconds. To cancel panic mode, press any other button on the remote transmitter or turn the ignition switch to ON (II).

**Remote Transmitter Care**

- Avoid dropping or throwing the transmitter.
- Protect the transmitter from extreme temperature.
- Do not immerse the transmitter in any liquid.
- If you lose a transmitter, the replacement needs to be reprogrammed by a Honda dealer.

## Remote Transmitter

### Replacing the Transmitter Battery



If it takes several pushes on the button to lock or unlock the doors and the hatch, replace the battery as soon as possible.

Battery type: CR2025

To replace the battery, remove the round cover on the back of the transmitter by turning it counterclockwise with a coin. Insert a new battery with the + side facing up. Align the ▽ mark on the cover with the ⊙ mark on the transmitter. Set the cover in place and turn it clockwise.

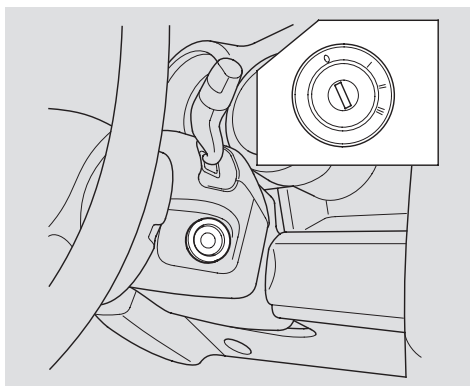
*As required by the FCC:*

*This device complies with Part 15 of the FCC rules. Operation is subject to the following two conditions: (1) This device may not cause harmful interference, and (2) this device must accept any interference received, including interference that may cause undesired operation.*

*Changes or modifications not expressly approved by the party responsible for compliance could void the user's authority to operate the equipment.*

*This device complies with Industry Canada Standard RSS-210.*

*Operation is subject to the following two conditions: (1) this device may not cause interference, and (2) this device must accept any interference that may cause undesired operation of the device.*



The ignition switch has four positions: LOCK (0), ACCESSORY (I), ON (II), and START (III).

**LOCK (0)** — You can insert or remove the key only in this position. To turn the key, the shift lever must be in Park, and you must push the key in slightly.

If the front wheels are turned, the anti-theft lock may make it difficult to turn the key. Firmly turn the steering wheel to the left or right as you turn the key.

**ACCESSORY (I)** — You can operate the audio system and the accessory power sockets in this position.

**ON (II)** — This is the normal key position when driving. Several of the lights on the instrument panel come on as a test when you turn the ignition switch from ACCESSORY (I) to ON (II).

**START (III)** — Use this position only to start the engine. The switch returns to ON (II) when you let go of the key.

You will hear a reminder beeper if you leave the key in the ignition switch in the LOCK (0) or ACCESSORY (I) position and open the driver's door. Remove the key to turn off the beeper. The shift lever must be in Park before you can remove the key from the ignition switch.

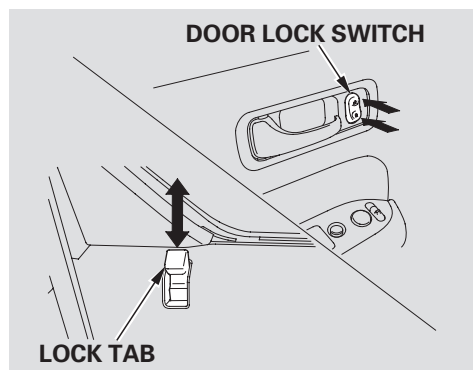
#### **⚠ WARNING**

Removing the key from the ignition switch while driving locks the steering. This can cause you to lose control.

Remove the key from the ignition switch only when parked.

## Door Locks

### Power Door Locks



To lock all of the doors and hatch, press the door lock switch on either front door, or press the lock tab down on the driver's door, or use the key on the outside lock.

Pressing up on the door lock switch will unlock all of the doors and the hatch.

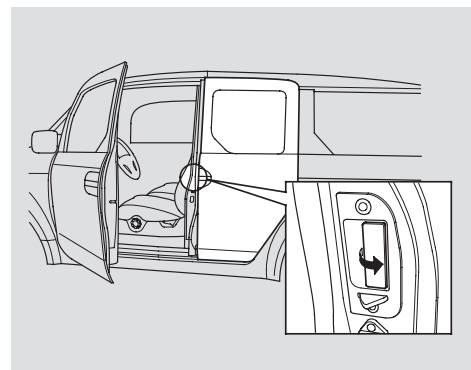
The lock tab on the passenger's door locks and unlocks only that door.

Pulling up on the driver's door lock tab only unlocks the driver's door.

To lock the driver's door, remove the key from the ignition switch, pull the outside door handle and push the lock tab down or push the door lock switch down. Release the handle, then close the door.

To unlock the driver's door from the outside, turn the key and release it.

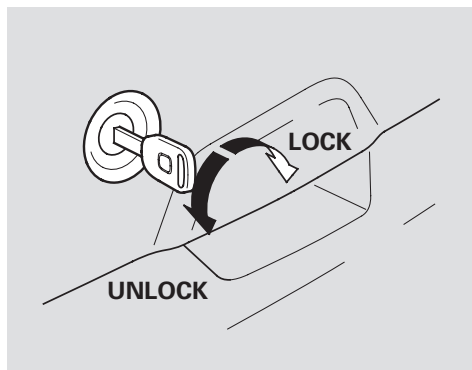
### Rear Doors



To open the rear door, pull the rear door handle located in the rear door edge. The rear door can be opened only when the front door is open.

To close the doors, close the rear door first, then the front door. The front door cannot be latched without first closing the rear door. Closing the rear door on the front door will damage both doors.

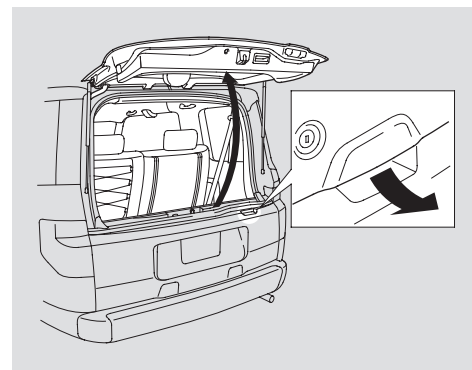
**Hatch**



To lock or unlock the hatch.

- Use your master key to lock and unlock the hatch. Turn the key clockwise to lock the hatch, and counterclockwise to unlock it.

- Lock the hatch by pushing down the lock tab on the driver's door (see page 70 ), or by using the master key in the driver's door lock.
- Lock or unlock the hatch with the master door lock switch.



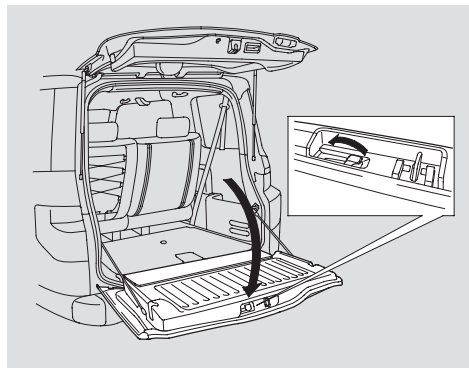
With the hatch unlocked, open it by pulling the handle and lifting up. To close the hatch, lower it, then press down on the back edge.

When both the hatch and tailgate are open, the hatch cannot be latched without first closing the tailgate.

## Door Locks

See page 117 for information on cargo loading. Keep the hatch closed at all times while driving to avoid damaging the hatch, and to prevent exhaust gas from getting into the interior. See **Carbon Monoxide Hazard** on page 48.

### Tailgate



You can open the tailgate only when the hatch is open. To open the tailgate, slide the lock lever to the left and swing down the tailgate. To close the tailgate, lift it up and push it firmly until it latches.

Before closing the tailgate, make sure the hatch is raised. Closing the tailgate on the lowered hatch can damage the hatch and the tailgate.

See page 117 for information on cargo loading. Keep the tailgate and the hatch closed at all times while driving to avoid damaging them, and to prevent exhaust gas from getting into the interior. See **Carbon Monoxide Hazard** on page 48.

### Seat Adjustments

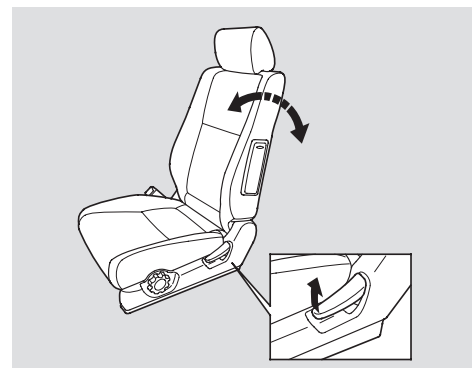
See pages 11 – 13 for important safety information and warnings about how to properly position the seats and seat-backs.

Make all seat adjustments before you start driving.

#### Front Seat



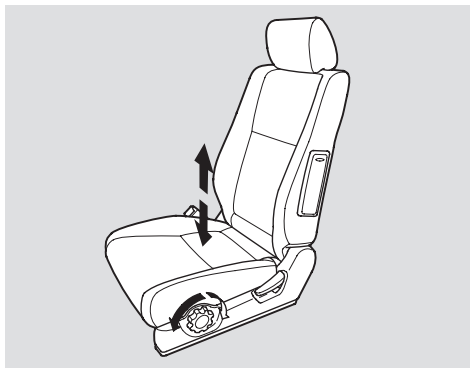
To adjust the front or rear seat forward and backward, pull up on the bar under the seat cushion's front edge. Move the seat, and make sure it locks into position.



To change the angle of the seat-back, pull up on the lever on the outside of the seat bottom. Adjust the seat-back and make sure it locks into position.

## Seats

### Driver's Seat Height Adjustment



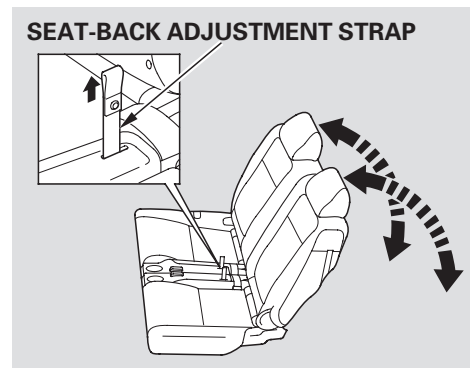
To adjust the height of the driver's seat, turn the dial on the outside of the seat bottom.

### Front Seat Armrests



*On EX models*  
Each front seat has an armrest on the side of the seat-back. To use it, pivot it down.

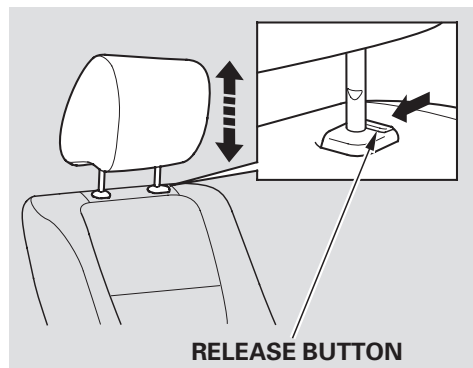
### Rear Seat



To change the angle of the rear seat-back, pull the strap at the inside edge of the seat cushion, make sure the seat-back locks into position.

### Head Restraints

See page 14 for important safety information and a warning about how to properly position the head restraints.



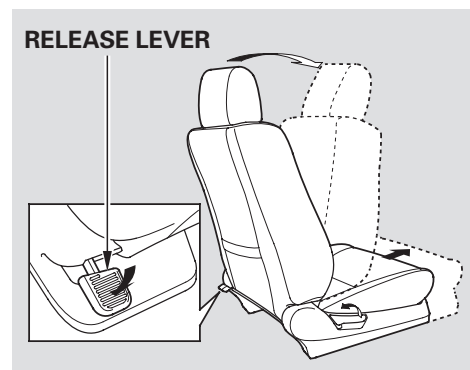
Your vehicle is equipped with head restraints in all seating positions.

The head restraints help protect you and your passengers from whiplash and other injuries. They are most effective when you adjust them so the back of the occupant's head rests against the center of the restraint.

The head restraints adjust for height. To raise it, pull upward. To lower the restraint, push the release button sideways and push the restraint down.

To remove a head restraint for cleaning or repair, pull it up as far as it will go. Push the release button, then pull the restraint out of the seat-back.

### Rear Seat Access

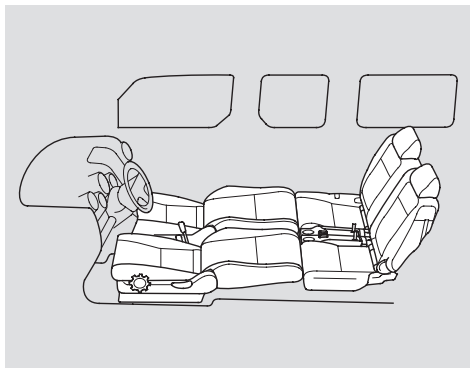


The rear seat passengers can get out through the passenger's door. Push down on the release lever at the base of the front passenger's seat-back, and push the seat-back forward. The seat-back will tilt forward and the entire seat will move forward.

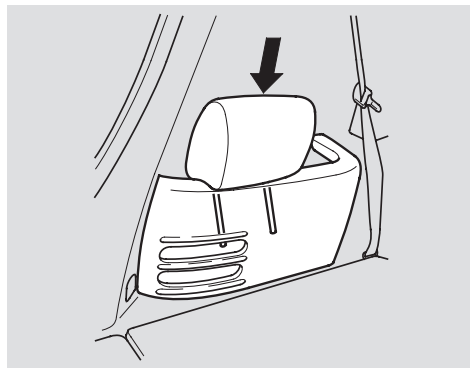
Make sure the seat is upright and fully latched before sitting in it.

## Seats

### Reclining the Front Seats



You can recline the seat-backs on the front seats so they are level with the rear seat cushions, making a large cushioned area. To do this:



1. Remove the head restraints from the front seats (see page 75 ), and store them in the side pockets of the cargo area.

2. Adjust the front seats forward as far as they will go. Pull up the seat-back angle adjustment lever and pivot the seat-back backward until it is level with the rear seat cushion.

3. Move the front seat backward until it touches the rear seat.

4. Adjust the rear seat-back to the desired position.

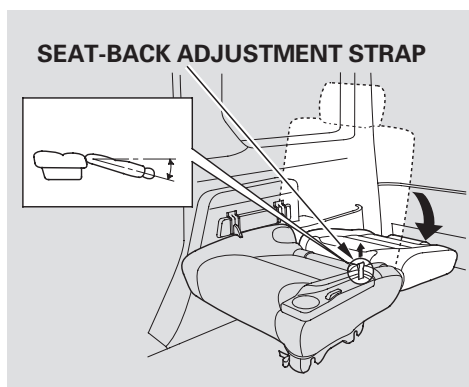
Reverse this procedure to return the front and rear seats to the upright position. Make sure you install the head restraints and the seats are locked securely before driving.

When you return the seat-back to the upright position, hold the seat-back to keep it from going up too quickly.

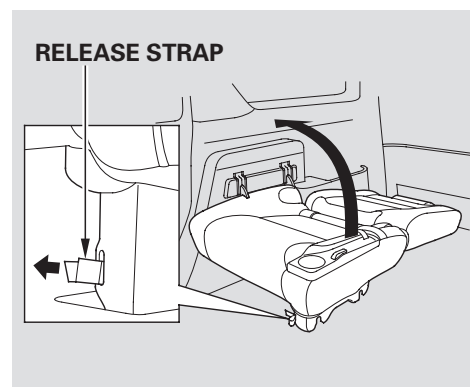
### Folding the Rear Seats

To create more cargo space, you can fold up each rear seat to each side wall separately.

1. Lower the head restraint to its lowest position.

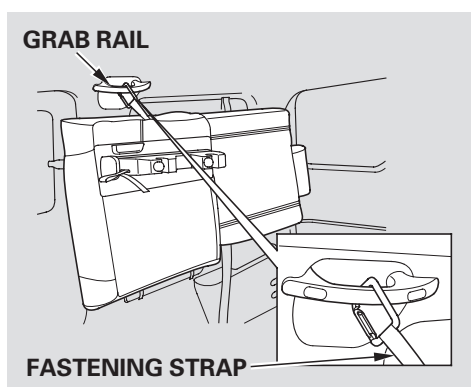


2. Pull the seat-back adjustment strap at the inside edge of the seat cushion and push the seat-back backward as far as it will go.

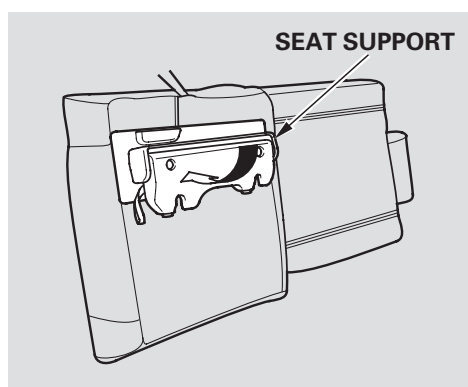


3. Pull the release strap on the seat support, and pivot the seat toward the vehicle's side wall.

## Seats



4. A fastening strap is attached to the inside of the seat cushion. While pushing the seat up and toward the side wall, hook the fastening strap to the grab rail.



5. Fold down the seat support.

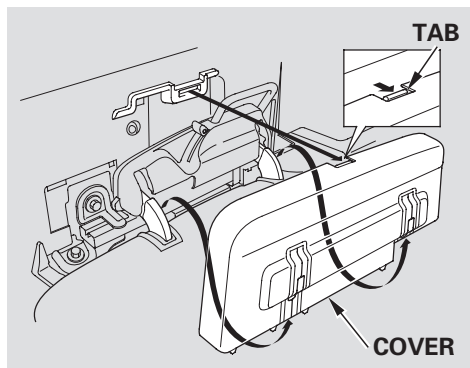
Reverse this procedure to return the rear seat to the upright position. When not in use, store the fastening strap hook in the fabric pocket on the bottom of the seat cushion. Make sure the seat is locked securely.

### Removing the Rear Seats

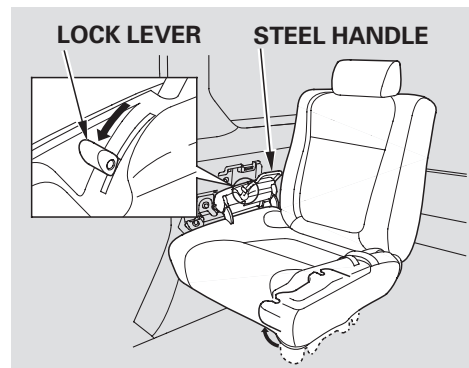


Both seats can be removed to give more cargo capacity. To remove a seat:

1. Pull the release strap on the seat support to unlock the seat support.

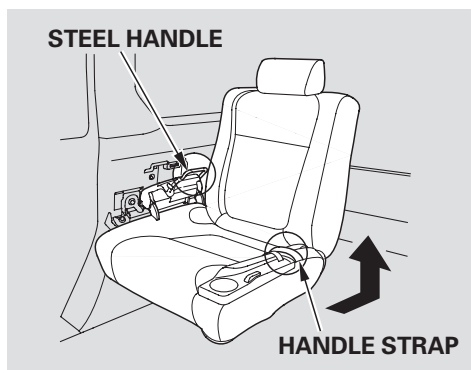


2. Remove the cover between the seat cushion and the side wall by pulling the tab and pulling the cover straight up.



3. Push the lock lever forward to unlock the seat.

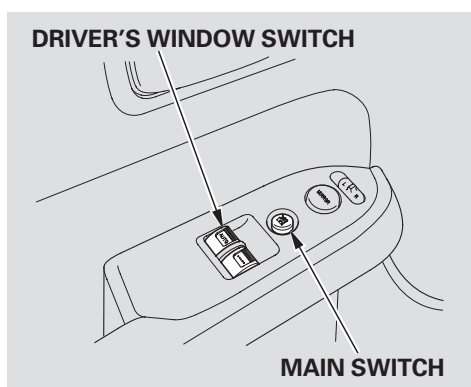
## Seats



Reverse this procedure to reinstall the seat. Make sure the seat is securely locked.

Always remove an unsecured seat from the vehicle before driving. A seat that is not locked in place could be thrown about and cause injury in a sudden stop or crash.

4. Hold the steel handle next to the lock lever and the holding strap at the outside edge of the seat cushion, and remove the entire seat by pulling it up and backward.



Turn the ignition switch to ON (II) to raise or lower either window. To open the window, push the switch down and hold it. Release the switch when you want to stop the window. Pull back on the switch and hold it to close the window.

### **⚠ WARNING**

Closing a power window on someone's hands or fingers can cause serious injury.

Make sure your passengers are away from the windows before closing them.

**AUTO** — To open/close the driver's window, push the window switch firmly down or up to the second detent, and release it. The window will automatically go up or down all the way. To stop the window, pull/push on the window switch briefly.

If the MAIN switch is OFF, the passenger's window cannot be raised or lowered. Keep the MAIN switch off when you have children in the vehicle so they do not injure themselves by operating the passenger's window unintentionally.

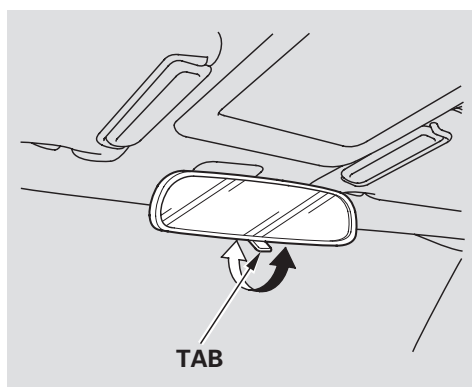
**AUTO REVERSE** — If the driver's window runs into any obstacle while it is closing automatically, it will reverse direction and then stop. To close the window, remove the obstacle, then use the window switch again.

If your vehicle's battery is disconnected or goes dead, or the driver's window fuse is removed, the AUTO function will be disabled. The power window system needs to be reset after reconnecting the battery or installing the fuse.

1. Start the engine. Push down and hold the driver's window switch until the window is fully open.
2. Pull and hold the driver's window switch to close the window completely, then hold the switch for a second or two more.

If the power windows do not operate properly after resetting, have your vehicle checked by a Honda dealer.

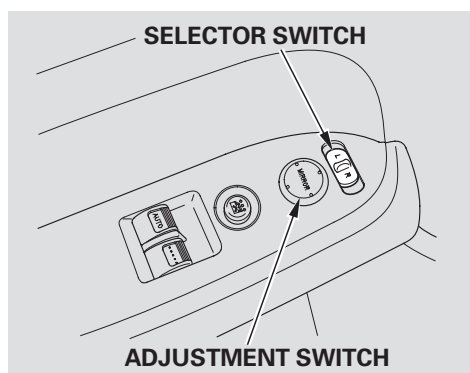
## Mirrors



Keep the inside and outside mirrors clean and adjusted for best visibility. Be sure to adjust the mirrors before you start driving.

The inside mirror has day and night positions. The night position reduces glare from headlights behind you. Flip the tab on the bottom edge of the mirror to select the day or night position.

### Adjusting the Power Mirrors *If equipped*

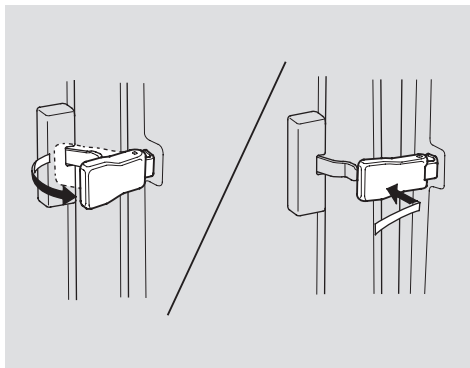


1. Move the selector switch to L (driver's side) or R (passenger's side).

2. Push the appropriate edge of the adjustment switch to move the mirror right, left, up, or down.

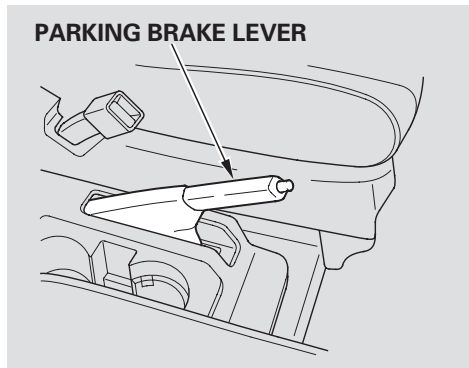
3. When you finish, move the selector switch to the center (off) position. This turns off the adjustment switch so you can't move a mirror out of position by accidentally bumping the switch.

**Rear Windows**



To open a rear window, pull the lever towards you, then push it out until it locks. To close the rear window pull the lever towards you, then push it back. Make sure the window is fully closed and locked.

**Parking Brake**

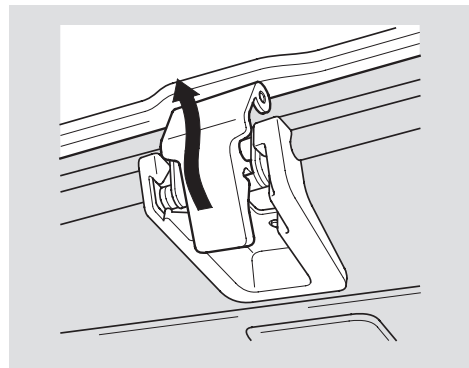


To apply the parking brake, pull the lever up fully. To release it, pull up slightly, push the button, and lower the lever. The parking brake light on the instrument panel should go out when the parking brake is fully released (see page 54).

**NOTICE**

*Driving the vehicle with the parking brake applied can damage the rear brakes and axles.*

**Skylight**



*On 4WD models only*  
To lift up the rear of the skylight for ventilation, pull down the lever to unlock the skylight, then push it up until the skylight is locked in the tilt-up position.

To close the skylight, pull down the lever to unlock the skylight, then push it back in place. Make sure the skylight is fully closed and locked.

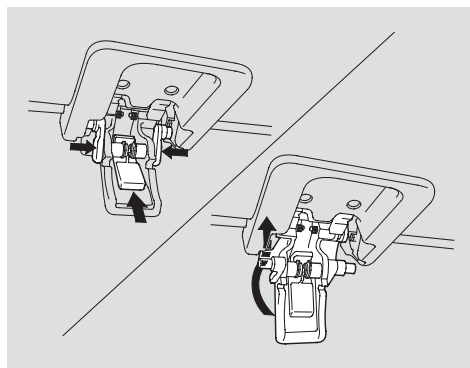
*CONTINUED*

## Skylight

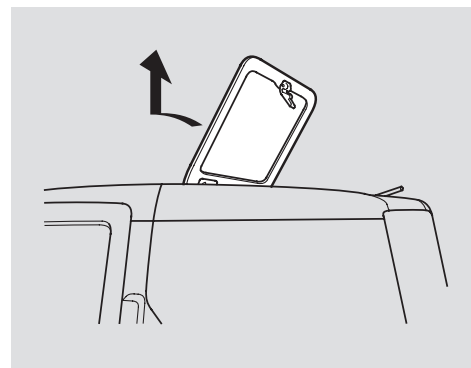
### NOTICE

*If you try to tilt up the skylight in below-freezing temperatures, or when it is covered with snow or ice, you can damage it.*

*Before lifting the skylight, make sure the roof of the vehicle is dry. Rain or remaining water after car-washing may get into the frame of the skylight. In winter, remove the buildup of snow on the roof.*



**To remove the skylight:**  
Turn off the engine, and set the parking brake. Then pull down the lever, squeeze both sides of the pivot while pushing up the red tab in the lever, and pull the lever assembly away from the ceiling.



Push up the rear of the skylight. Standing on the tailgate with the hatch down, hold both sides of the skylight and pull it toward you to remove it from the vehicle roof.

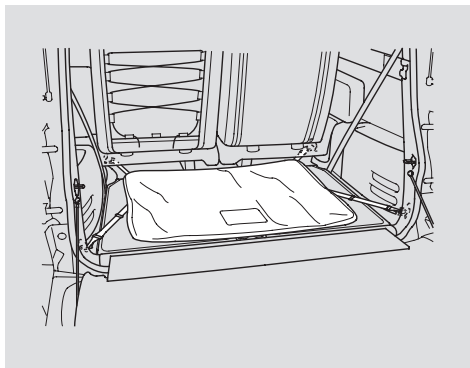
### NOTICE

*The maximum weight on the tailgate is 440 lbs (200 kg).*

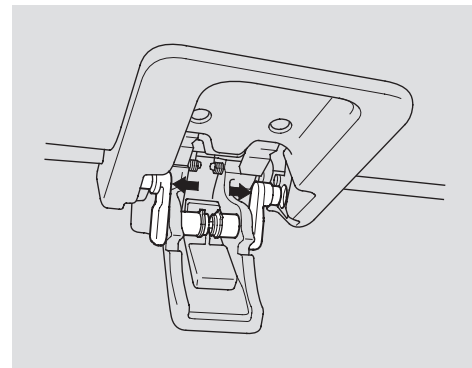
**⚠ WARNING**

An unsecured skylight can be thrown about and cause serious injury in a sudden stop or crash.

Make sure to store the skylight in its bag, and secure the bag to the hooks on the cargo area floor.

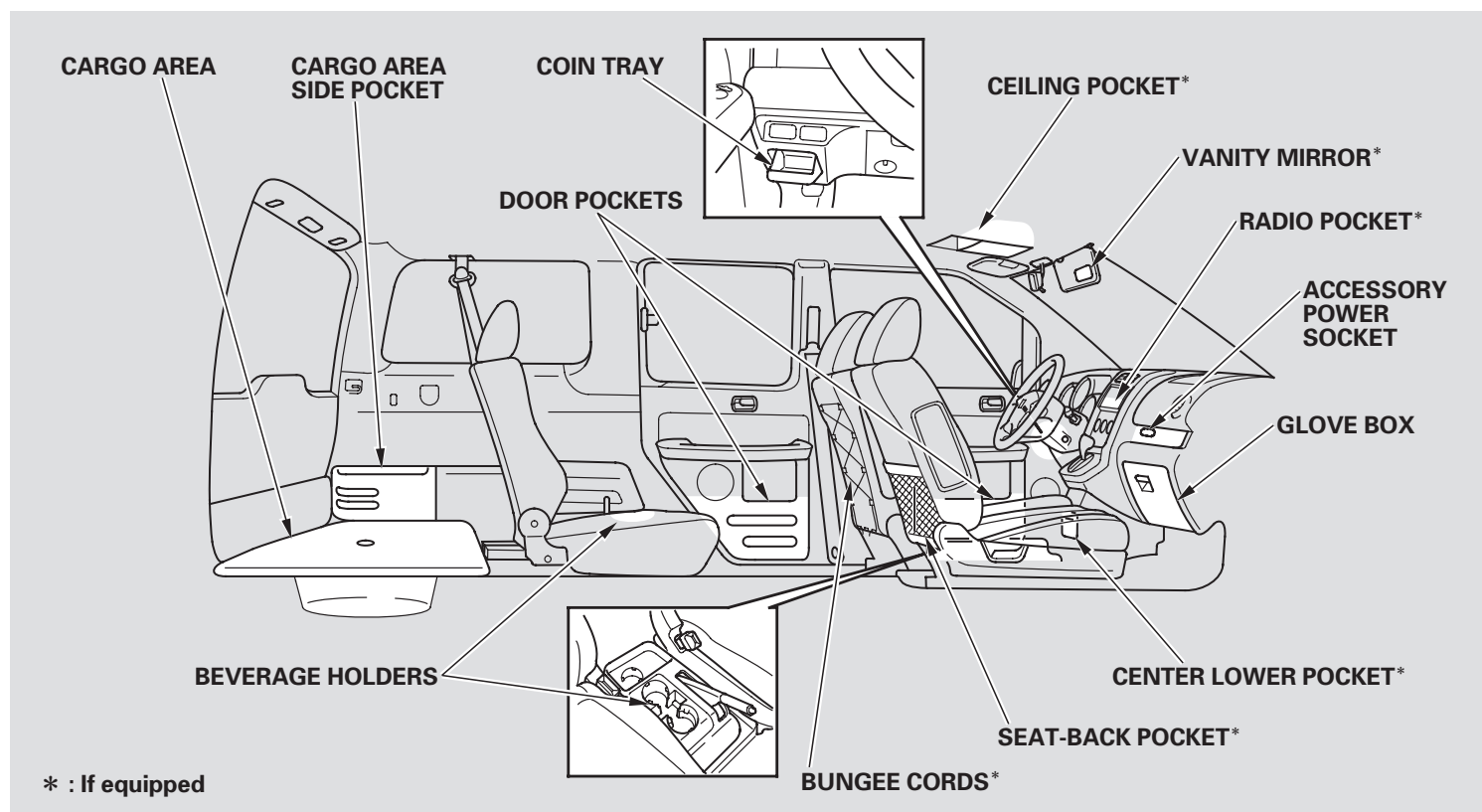


With the rear seats in their upright position, store the skylight, face down in its bag in the cargo area. Secure the bag with four hooks on the cargo area floor. Do not store anything on top of the skylight.



To reinstall the skylight, make sure the air deflector is pushed down. When reinstalling the lever assembly, push in both pivots, and align with the receptacle holes. Let the pivots move out until they rest in the holes securely. Make sure the skylight is fully closed and latched.

## Interior Convenience Items



### Beverage Holders

Be careful when you are using the beverage holders. A spilled liquid that is very hot can scald you or your passengers. Spilled liquids can also damage the upholstery, and electrical components in the interior.

### Accessory Power Sockets

Your vehicle has one or two accessory power sockets, depending on the model. All models have a front accessory power socket on the dashboard above the glove box.

The EX model has another accessory power socket in the cargo area on the passenger's side.

These sockets are intended to supply power for 12 volt DC accessories that are rated 120 watts or less (10 amps).

To power an accessory, the ignition switch must be in the ACCESSORY (I) or ON (II) position.

#### *On EX models*

When both sockets are begin used, the combined power rating of each accessory should be 120 watts or less (10 amps).

These sockets will not power an automotive type cigarette lighter element.

### Glove Box

Open the glove box by pulling the bottom of the handle. Close it with a firm push. Lock or unlock the glove box with the master key.

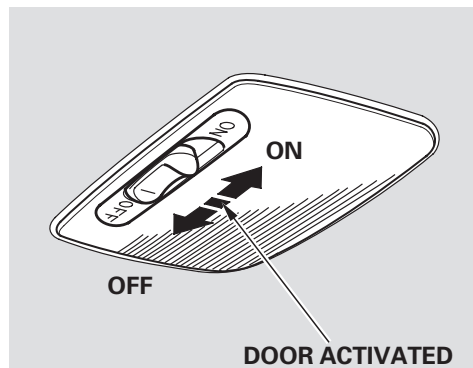
#### **⚠ WARNING**

An open glove box can cause serious injury to your passenger in a crash, even if the passenger is wearing the seat belt.

Always keep the glove box closed while driving.

## Interior Lights

### Ceiling Light



The ceiling light has a three-position switch: ON, Door Activated, and OFF.

In the Door Activated (center) position, the light comes on when you:

- Open any door.
- Remove the key from the ignition.  
If you do not open a door, the light fades out in about 30 seconds.
- Unlock the doors with the key or remote transmitter.

### Cargo Area Light

The cargo area light has a three-position switch. In the center position, the light comes on when you open the hatch.

### Spotlights

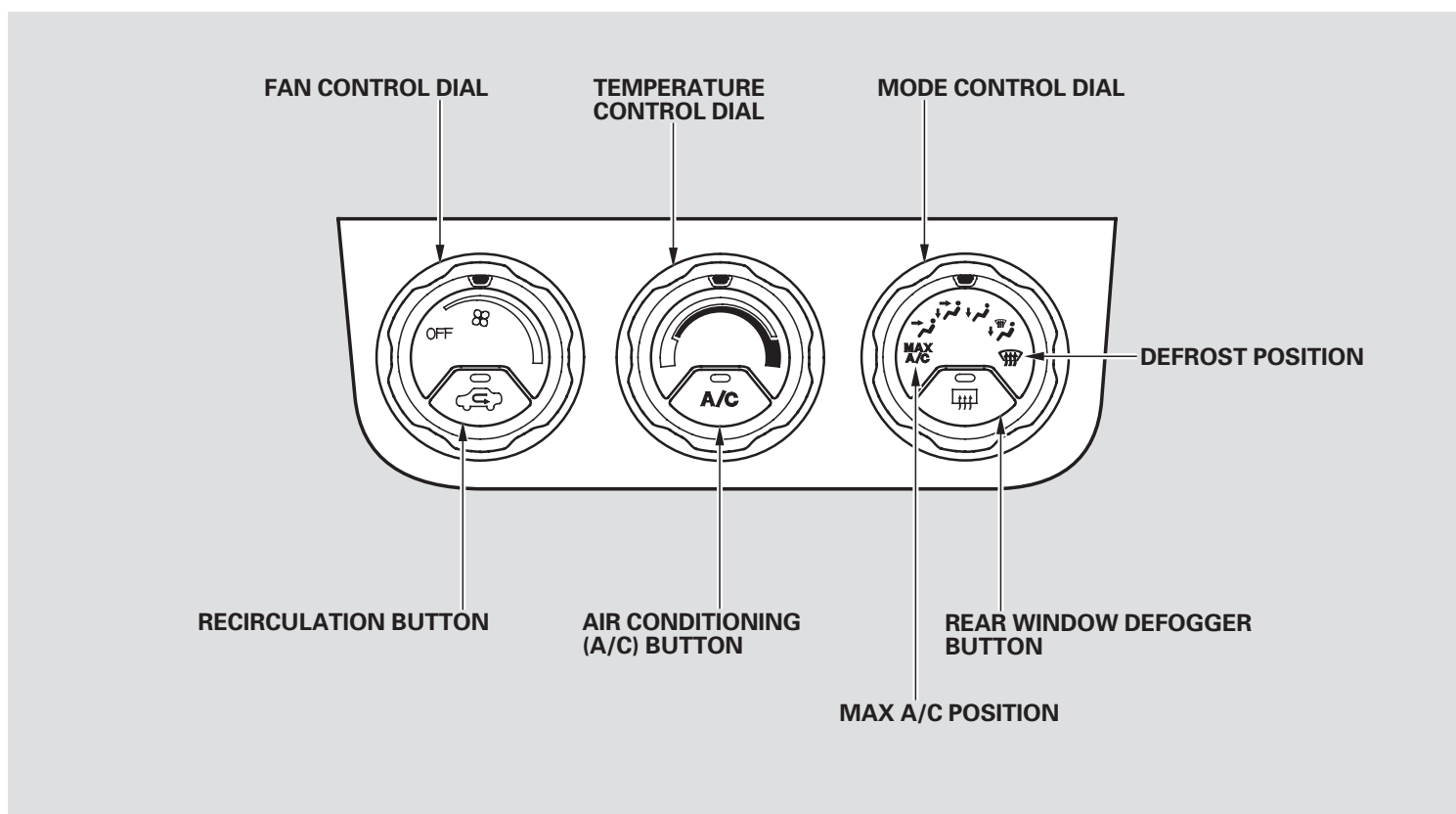
*On EX models*

Turn on the spotlight by pushing the lens. Push the lens again to turn it off. You can use the spotlights at all times.

### Ignition Switch Light

The ignition switch light comes on when you unlock the driver's door, and fades out about 30 seconds after you close the door.

## Vents, Heating, and A/C



### 90 Comfort and Convenience Features

**Fan Control Dial**

Turn this dial clockwise to increase fan speed and increase the airflow.

**Temperature Control Dial**

Turning this dial clockwise increases the temperature of the airflow.

**Air Conditioning (A/C) Button**

*If equipped*

This button turns the air conditioning on and off. The light in the button is on when the A/C is on.

**Recirculation Button** 

When the light in the button is on, air from the vehicle's interior is sent throughout the system again. When the light is off, air is brought in from the outside of the vehicle (Fresh Air mode).

The outside air intakes for the heating and cooling system are at the base of the windshield. Keep this area clear of leaves and other debris.

The system should be left in Fresh Air mode under almost all conditions. Keeping the system in Recirculation mode, particularly with the A/C off, can cause the windows to fog up.

Switch to Recirculation mode when driving through dusty or smoky conditions, then return to Fresh Air mode.

**Rear Window Defogger Button** 

This button turns the rear window defogger off and on (see page 63).


**Mode Control Dial**



Use the mode control dial to select the vents the air flows from. Some air will flow from the dashboard vents in all modes.


*If equipped*

**MAX A/C** The system automatically turns on the A/C and switches to Recirculation mode. Air flows from the center and side vents in the dashboard.


 Air flows from the center and corner vents in the dashboard.



 Air flow is divided between the vents in the dashboard and the floor vents.

 Air flows from the floor vents. When you select , the system automatically switches to Fresh Air mode.

 Air flow is divided between the floor vents and the defroster vents at the base of the windshield.


## Vents, Heating, and A/C

 Air flows from the defroster vents at the base of the windshield.

When you select  or , the system automatically switches to Fresh Air mode and turns on the A/C. The A/C indicator does not come on.

### Ventilation (Fresh Air mode)

The flow-through ventilation system draws in outside air, circulates it through the interior, then exhausts it through vents near the tailgate.

1. Turn the temperature control dial all the way to the left.
2. Make sure the A/C is off.
3. Select  and Fresh Air mode.
4. Set the fan to the desired speed.

### Using the Heater

The heater uses engine coolant to warm the air. If the engine is cold, it will be several minutes before you feel warm air coming from the system.


1. Select  and Fresh Air mode.
2. Set the fan to the desired speed.
3. Adjust the warmth of the air with the temperature control dial.

### Using the A/C


*If equipped*

Air conditioning places an extra load on the engine. Watch the engine coolant temperature gauge (see page 59). If it moves near the red zone, turn off the A/C until the gauge reads normally.

1. Turn on the A/C by pressing the button. The light in the button comes on when a fan speed is selected.

2. Make sure the temperature control dial is all the way to the left.
3. Select .
4. If the outside air is humid, select Recirculation mode. If the outside air is dry, select Fresh Air mode.
5. Set the fan to the desired speed.

*To cool the interior with MAX A/C:*

1. Set the mode control dial to MAX A/C.  
The system automatically turns on the A/C, selects  and switches to Recirculation mode.
2. Make sure the temperature control dial is all the way to the left.
3. Set the fan to the desired speed.




### Dehumidify the Interior

Air conditioning, as it cools, removes moisture from the air. When used in combination with the heater, it makes the interior warm and dry.

1. Switch the fan on.
2. Turn on the air conditioning.
3. Select  and Fresh Air mode.
4. Adjust the temperature control dial to your preference.

This setting is suitable for all driving conditions whenever the outside temperature is above 32°F (0°C).

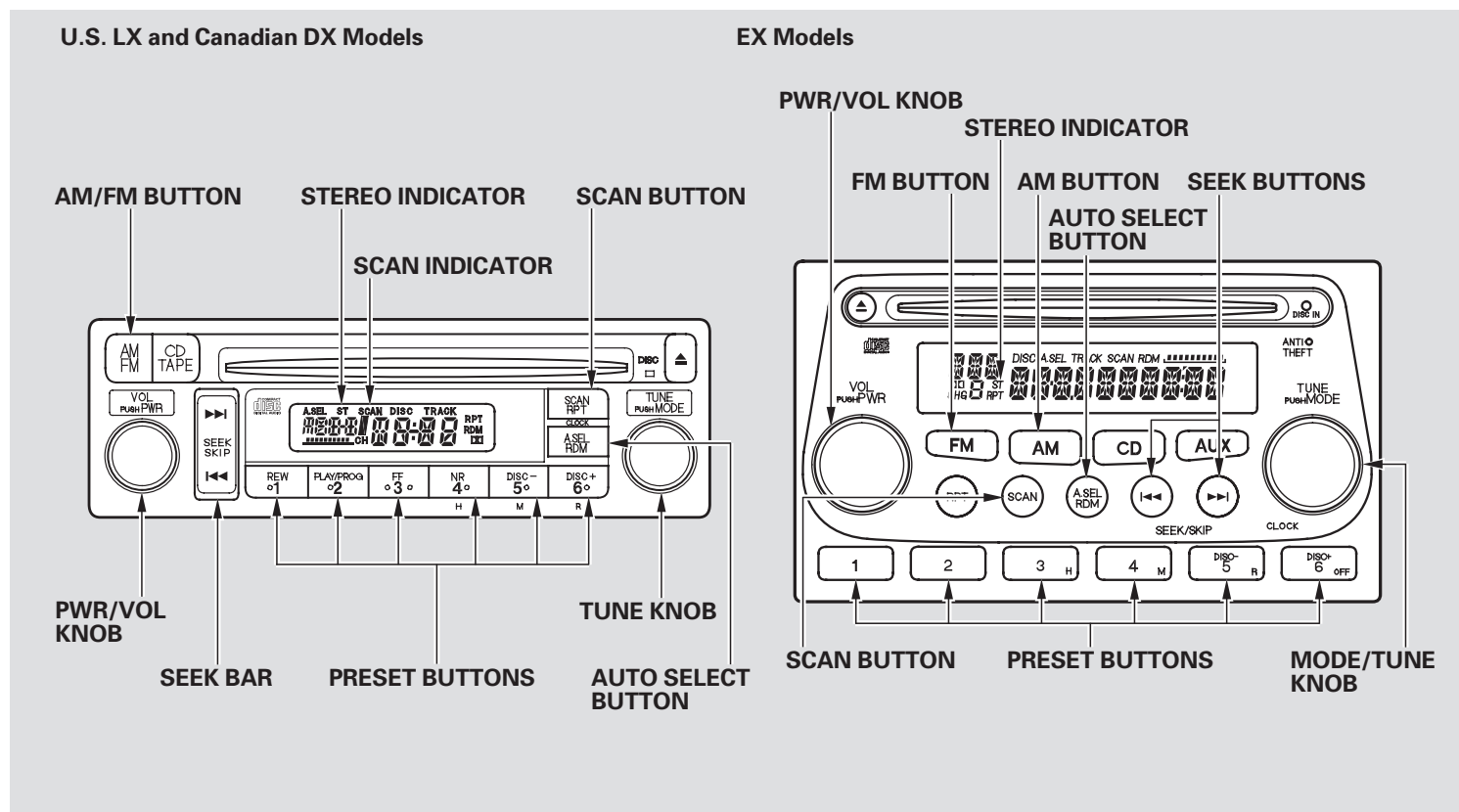
### To Remove Exterior Frost or Ice From the Windows

1. Select . The system automatically switches to Fresh Air mode and turns on the A/C. The A/C indicator does not come on.
2. Select .
3. Set the fan and temperature controls to maximum level.
4. Select  to help clear the rear window.

To clear the windows faster, you can close the dashboard corner vents by rotating the wheel below it. This will send more warm air to the windshield defroster vents. Once the windshield is clear, select the Fresh Air mode to avoid fogging the windows.

For your safety, make sure you have a clear view through all the windows before driving.

# Playing the Radio



## 94 Comfort and Convenience Features

**To Play the Radio**

The ignition switch must be in ACCESSORY (I) or ON (II). Turn the system on by pushing the PWR/VOL knob or the AM or FM button. Adjust the volume by turning the same knob.

The band and frequency that the radio was last tuned to is displayed. To change bands, press the AM or FM button. On the FM band, ST will be displayed if the station is broadcasting in stereo. Stereo reproduction on AM is not available.

**To Select a Station**

You can use these five methods to find radio stations on a selected band: **TUNE**, **SEEK**, **SCAN**, the preset buttons, and **AUTO SELECT**.

**TUNE** — Use the TUNE knob to tune the radio to a desired frequency. Turn the knob right to tune to a higher frequency, or left to tune to a lower frequency.

**SEEK** — The SEEK function searches up and down from the current frequency to find a station with a strong signal. To activate it, press either ( ◀◀ or ▶▶ ), then release it.

**SCAN** — The SCAN function samples all stations with strong signals on the selected band. To activate it, press the SCAN button, then release it. You will see SCAN in the display. The system will scan for a station with a strong signal. When it finds one, it will stop and play that station for about five seconds.

If you do nothing, the system will then scan for the next strong station and play it for five seconds. When it

plays a station you want to listen to, press the SCAN button again.

**Preset** — Each preset button can store one frequency on AM, and two frequencies on FM.

1. Select the desired band, AM or FM. FM1 and FM2 let you store two frequencies with each preset button.
2. Use the TUNE, SEEK, or SCAN function to tune the radio to a desired station.
3. Pick a preset button, and hold it until you hear a beep.
4. Repeat steps 1 to 3 to store a total of six stations on AM and twelve stations on FM.

The preset frequencies will be lost if your vehicle's battery goes dead, is disconnected, or the radio fuse is removed.

CONTINUED

## Playing the Radio

---

**AUTO SELECT** — If you are traveling far from home and can no longer receive your preset stations, you can use the Auto Select feature to find stations in the local area.

Press the A. SEL Button. "A.SEL" flashes in the display, and the system goes into scan mode for several seconds. It stores the frequencies of six AM, and twelve FM stations in the preset buttons.

You will see a "0" displayed after pressing a preset button if Auto Select cannot find a strong station for every preset button.

If you do not like the stations Auto Select has stored, you can store other frequencies on the preset buttons. Use the TUNE, SEEK, or SCAN functions to find stations, then store them in the preset buttons as described.

*To turn off Auto Select*, press the A. SEL button. This restores the presets you originally set.

### Adjusting the Sound

*If equipped*

Press the MODE knob repeatedly to display the Bass (BAS), Treble (TRE), Balance (BAL), Fader (FAD), and Sub-Woofers (SUB-W) settings.

Each mode is shown in the display as it changes. Turn the MODE knob to adjust the setting to your liking. When the level reaches the center, you will see "C" in the display. The system will automatically return the display to the selected audio mode about five seconds after you stop adjusting a mode.

**Balance/Fader** — These two modes adjust the strength of the sound coming from each speaker. BAL adjusts the side-to-side strength, while FAD adjusts the front-to-back strength.

**Treble/Bass/Sub-Woofers** — Use the TRE/BAS/SUB-W modes to adjust the tone to your liking.

### Radio Frequencies

Your Honda's radio can receive the complete AM and FM bands. Those bands cover these frequencies:

AM band:

530 to 1,710 kilohertz

FM band:

87.7 to 107.9 megahertz

Radio stations on the AM band are assigned frequencies at least ten kilohertz apart (530, 540, 550).

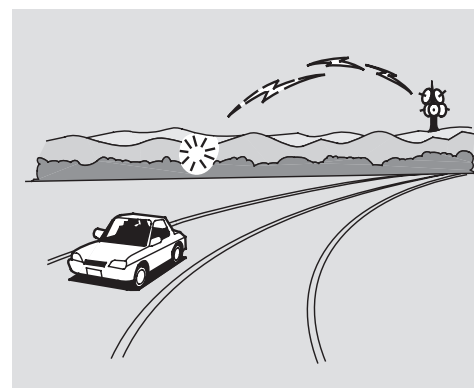
Stations on the FM band are assigned frequencies at least 0.2 megahertz apart (87.9, 88.1, 88.3).

Stations must use these exact frequencies. It is fairly common for stations to round-off the frequency in their advertising, so your radio could display a frequency of 100.9 even though the announcer may identify the station as "FM101."

### Radio Reception

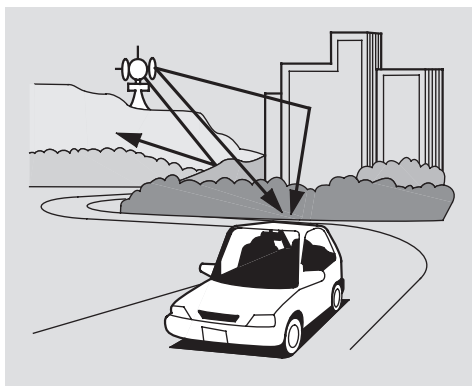
How well your Honda's radio receives stations is dependent on many factors, such as the distance from the station's transmitter, nearby large objects, and atmospheric conditions.

A radio station's signal gets weaker as you get farther away from its transmitter. If you are listening to an AM station, you will notice the sound volume becoming weaker, and the station drifting in and out. If you are listening to an FM station, you will see the stereo indicator flickering off and on as the signal weakens. Eventually, the stereo indicator will go off and the sound will fade completely as you get out of range of the station's signal.



Driving very near the transmitter of a station that is broadcasting on a frequency close to the frequency of the station you are listening to can also affect your radio's reception. You may temporarily hear both stations, or hear only the station you are close to.

## Radio Reception



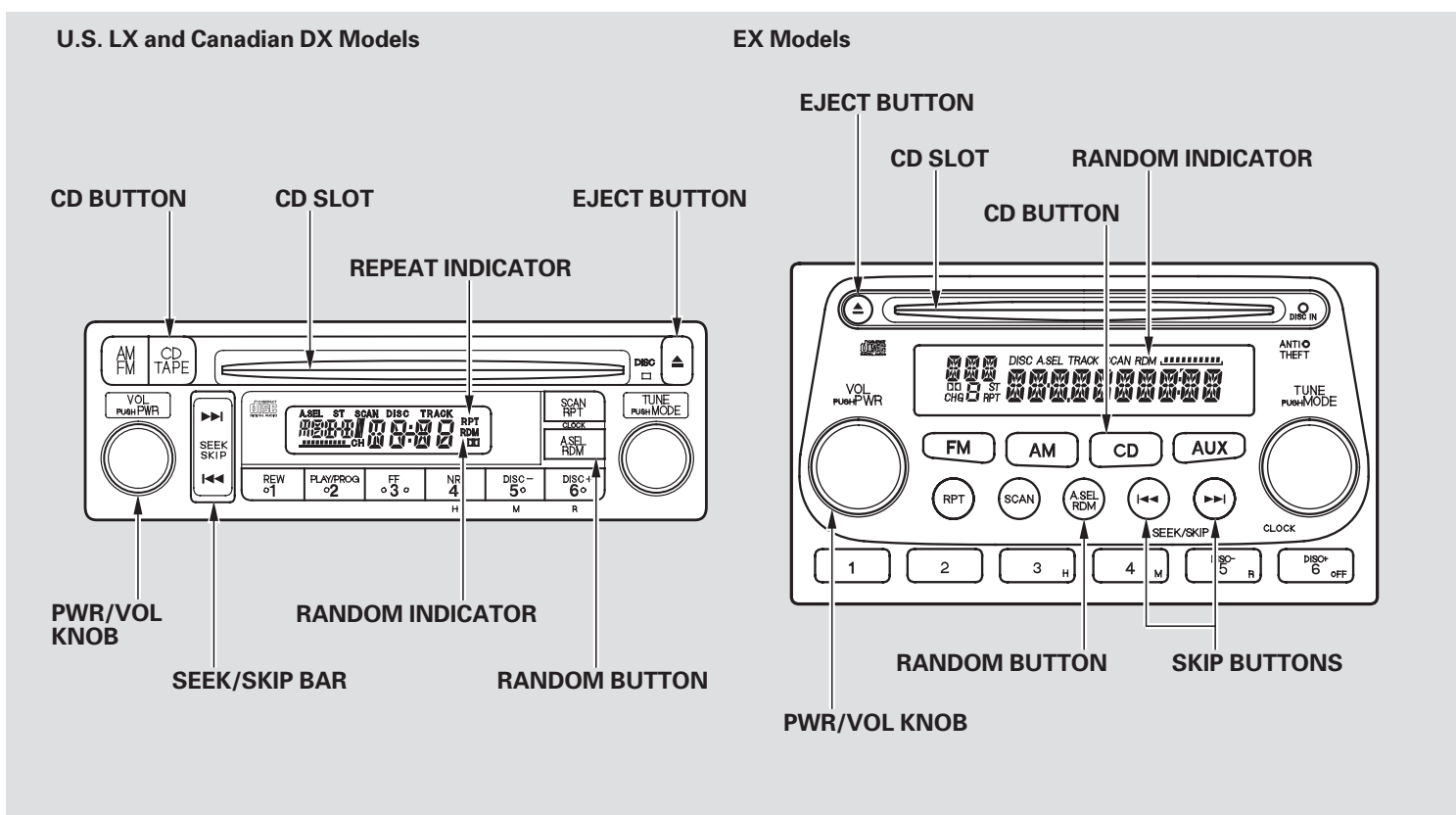
Radio signals, especially on the FM band, are deflected by large objects such as buildings and hills. Your radio then receives both the direct signal from the station's transmitter, and the deflected signal. This causes the sound to distort or flutter. This is a main cause of poor radio reception in city driving.



Radio reception can be affected by atmospheric conditions such as thunderstorms, high humidity, and even sunspots. You may be able to receive a distant radio station one day and not receive it the next day because of a change in conditions.

Electrical interference from passing vehicles and stationary sources can cause temporary reception problems.

*As required by the FCC:  
Changes or modifications not expressly  
approved by the party responsible for  
compliance could void the user's  
authority to operate the equipment.*



## Playing a CD

### To Play a CD

With the ignition in the ACCESSORY (I) or ON (II) position, insert a CD into the CD slot. The drive will pull the CD in the rest of the way and begin to play it. You operate the CD player with the same controls used for the radio. The number of the track playing is shown in the display. The system will continuously play a CD until you change modes.

### To Change Tracks (SKIP)

Each time you press and release **▶▶|**, the player skips forward to the beginning of the next track. Press and release **|◀◀** to skip backward to the beginning of the previous track.

To move rapidly within a track, press and hold the **▶▶|** or **|◀◀**. You will see CUE or REW in the display.

**REPEAT** — To continuously replay

a track, press and release the RPT button. You will see RPT in the display. Press the RPT button again to turn it off.

**RANDOM** — This feature plays the tracks in random order. To activate Random Play, press and release the A. SEL/RDM button. You will see RDM in the display. This continues until you press the A. SEL/RDM button again.

### To Stop Playing a CD

Press the eject button ( **▲** ) to remove the CD. If you eject the CD, but do not remove it from the slot, the system will automatically reload the CD after 15 seconds and put it in pause mode. To begin playing, press the CD button.

Press the AM/FM button to switch to the radio while a CD is playing. Press the CD button to play the CD.

If you turn the system off while a CD

is playing, either with the PWR/VOL knob or by turning off the ignition, the CD will stay in the drive. When you turn the system back on, the CD will begin playing where it left off.

### Operating the Optional CD Changer

A CD changer is available for your vehicle. It holds up to six CDs. You operate the CD changer with the same controls used for the in-dash CD player.

Load the desired CDs in the magazine, and load the magazine in the changer according to the instructions that came with the unit. To select the CD changer, press the CD button. The CD and track numbers will be displayed. To select a different CD, use the preset 5 (DISC -) or preset 6 (DISC +) button. If you select an empty slot in the magazine, the changer will, after finding that slot empty, try to load the CD in the next slot.

### General Information

- When using CD-R discs, use only high quality CDs labeled for audio use.
- When recording a CD-R, the recording must be closed for it to be used by the CD players.
- CD-RW discs will not work in this unit.
- Play only standard round CDs. Odd-shaped CDs may jam in the drive or cause other problems.
- Handle your CDs properly to prevent damage and skipping.

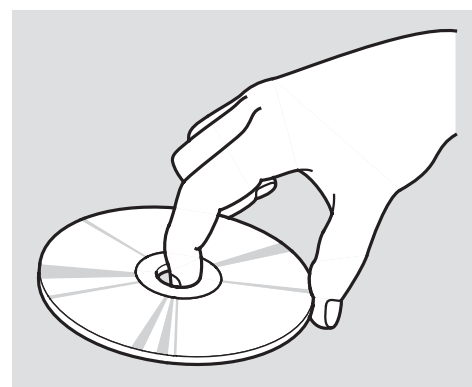
### Protecting CDs

When a CD is not being played, store it in its case to protect it from dust and other contamination. To prevent warpage, keep CDs out of direct sunlight and extreme heat.

To clean a CD, use a clean soft cloth. Wipe across the CD from the center to the outside edge.

A new CD may be rough on the inner and outer edges. The small plastic pieces causing this roughness can flake off and fall on the recording surface of the CD, causing skipping or other problems. Remove these pieces by rubbing the inner and outer edges with the side of a pencil or pen.

Never try to insert foreign objects in the CD player or the magazine.



Handle a CD by its edges; never touch either surface. Do not place stabilizer rings or labels on the CD. These, along with contamination from fingerprints, liquids, and felt-tip pens, can cause the CD to not play properly, or possibly jam in the drive.

## CD Player Error Messages

If you see an error message in the display while playing a CD player, find the cause in the chart to the right. If you cannot clear the error message, take the vehicle to a Honda dealer.

Error Message	Cause	Solution
CD DISC	FOCUS Error	Press the EJECT button and pull out the CD. Check if the CD is inserted correctly in the CD player. Make sure the CD is not scratched or damaged.
CD ERR	Mechanical Error	Press the EJECT button and pull out the CD. Check the CD for damage or deformation. If the CD cannot be pulled out or the error indication does not disappear after the CD is ejected, see your Honda dealer. Do not try to force the CD out of the player.
CD Hot	High Temperature	Will disappear when the temperature returns to normal.

If you see an error message in the display while playing a CD player, find the cause in the chart to the right. If you cannot clear the error message, take the vehicle to a Honda dealer.

Error Message	Cause	Solution
C02 DISC	FOCUS Error	Press the magazine eject button and pull out the magazine, check for error indication. Insert the magazine again. If the code does not disappear or the magazine cannot be pulled out, consult your Honda dealer.
C02 NO	No CD in the CD Magazine	Insert CD.
C03 ERR	Mechanical Error	Press the magazine eject button and pull out the magazine, check for error indication. Insert the magazine again. If the code does not disappear or the magazine cannot be pulled out, consult your Honda dealer.
C02 HOT	High Temperature	Will disappear when the temperature returns to normal.
C02 EJECT	No CD Magazine in the CD Changer	Insert CD magazine.

## Radio Theft Protection

---

### *On EX models*

Your vehicle's audio system will disable itself if it is disconnected from electrical power for any reason. To make it work again, you must enter a specific five-digit code in the preset buttons. Because there are hundreds of number combinations possible from five-digits, making the system work without knowing the exact code is nearly impossible.

You should have received a card that lists your audio system code number and serial number. It is best to store this card in a safe place at home. In addition, you should write the audio system's serial number in this Owner's Manual.

If you should happen to lose the card, you must obtain the code number from a Honda dealer. To do this, you will need the system's serial number.

If your vehicle's battery is disconnected or goes dead, the audio system will disable itself. If this happens, you will see "CODE" in the frequency display the next time you turn on the system. Use the preset buttons to enter the five-digit code. The code is located on the radio code card included in your Owner's Manual kit. When it is entered correctly, the radio will start playing.

If you make a mistake entering the code, do not start over; complete the five-digit sequence, then enter the correct code. You have ten tries to enter the correct code. If you are unsuccessful in ten attempts, you must then leave the system on for 1 hour before trying again.

If the code card is lost, a Honda dealer can access your code with your radio's serial number. To access the serial number, turn the radio on. It must display "CODE", then turn the radio off. Push the preset 1 and preset 6 at the same time, then quickly release.

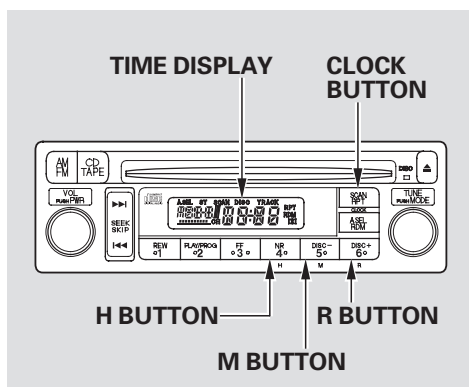
You will have to store your favorite stations in the Preset buttons after the system begins working. Your original settings were lost when the power was disconnected.

If your vehicle's battery is disconnected or goes dead, you will need to set the clock.

*U.S. LX and Canadian DX models*

To set the hour, press the H button while pressing the CLOCK (SCAN/RPT) button, and hold until the hour advances to the desired time.

Change the minutes by pressing the M button while pressing the CLOCK (SCAN/RPT) button until the minute numbers advance to the desired time.



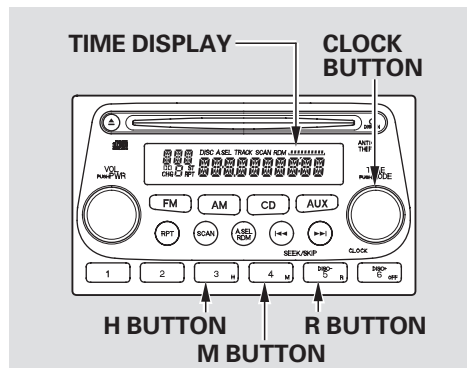
You can use the R button to quickly set the time to the nearest hour. Press the R button while pressing the CLOCK button. If the displayed time is before the half hour, pressing R sets the clock back to the previous hour. If the displayed time is after the half hour, pressing R sets the clock forward to the beginning of the next hour.

For example:

1:06 will reset to 1:00

1:53 will reset to 2:00

*On EX models*



Press and hold the CLOCK button until the number flash and you hear a beep. Change the hours by pressing the H button until the numbers advance to the desired time. Change the minutes by pressing the M button until the numbers advance to the desired time.

CONTINUED

## Setting the Clock, Auxiliary Input Jack

You can quickly set the time to the nearest hour. If the displayed time is before the half hour, press the R (RESET) button to set the clock back to the previous hour. If the displayed time is after the half hour, pressing R sets the clock forward to the beginning of the next hour.

For example:

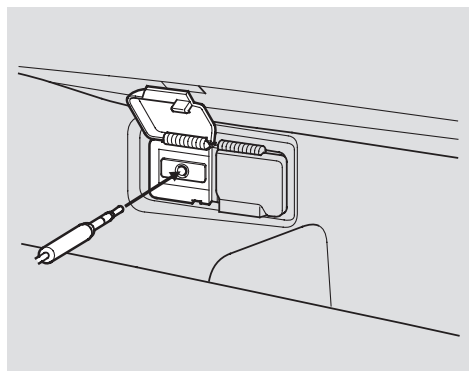
1:06 will reset to 1:00

1:53 will reset to 2:00

When you are finished, press the CLOCK button again.

### Auxiliary Input Jack

*On EX models*



An auxiliary input jack is located on the dashboard next to the accessory power socket.

Your audio system will accept auxiliary inputs from a portable cassette player, CD changer, MP3 player, etc. To use the jack, turn down the volume of the audio unit and the portable unit. Then pivot the cover up, plug in a mini-jack cable between the portable unit and the jack, and press the AUX button on the audio unit.

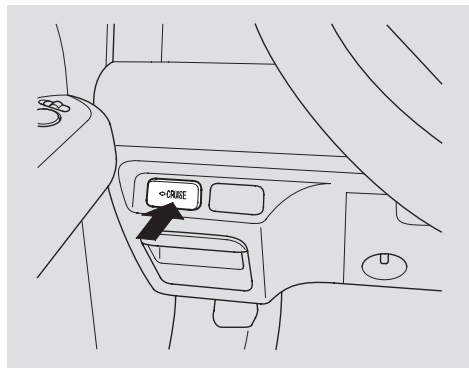
*On EX models*

Cruise control allows you to maintain a set speed above 25 mph (40 km/h) without keeping your foot on the accelerator pedal. It should be used for cruising on straight, open highways. It is not recommended for city driving, winding roads, slippery roads, heavy rain, or bad weather.

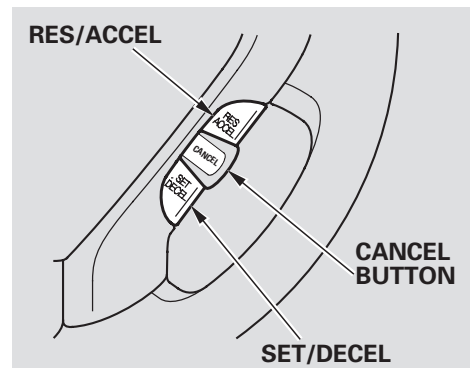
**⚠ WARNING**

Improper use of the cruise control can lead to a crash.

Use the cruise control only when traveling on open highways in good weather.

**Using the Cruise Control**

1. Push in the Cruise Control Master Switch. The indicator in the switch will come on.
2. Accelerate to the desired cruising speed above 25 mph (40 km/h).
3. Press and release the SET/DECEL button on the steering wheel. The CRUISE CONTROL light on the instrument panel comes on to show the system is now activated.



Cruise control may not hold the set speed when you are going up and down hills. If your speed increases going down a hill, use the brakes to slow down. This will cancel the cruise control. To resume the set speed, press the RES/ACCEL button. The CRUISE CONTROL light on the instrument panel will come back on.

## Cruise Control

### Changing the Set Speed

You can increase the set cruising speed in any of these ways:

- Press and hold the RES/ACCEL button. When you reach the desired cruising speed, release the button.
- To increase your speed in very small amounts, tap the RES/ACCEL button. Each time you do this, your vehicle will speed up about 1 mph (1.6 km/h).
- Push on the accelerator pedal. Accelerate to the desired cruising speed and press the SET/DECEL button.

You can decrease the set cruising speed in any of these ways:

- Press and hold the SET/DECEL button. Release the button when you reach the desired speed.

- To slow down in very small amounts, tap the SET/DECEL button. Each time you do this, your vehicle will slow down about 1 mph (1.6 km/h).
- Tap the brake or clutch pedal lightly with your foot. The CRUISE CONTROL light on the instrument panel will go out. When the vehicle slows to the desired speed, press the SET/DECEL button.

Even with the cruise control turned on, you can still use the accelerator pedal to speed up for passing. After completing the pass, take your foot off the accelerator pedal. The vehicle will return to the set cruising speed.

Resting your foot on the brake or clutch pedal will cause the cruise control to cancel.

### Cancelling the Cruise Control

You can cancel the cruise control in any of these ways:

- Tap the brake or clutch pedal.
- Press the CANCEL button on the steering wheel.
- Press the Cruise Control Master Switch.

### Resuming the Set Speed

When you push the CANCEL button, or tap the brake or clutch pedal, the system remembers the previously-set cruising speed. To return to that speed, accelerate to above 25 mph (40 km/h) and then press and release the RES/ACCEL button. The CRUISE CONTROL light comes on. The vehicle will accelerate to the same cruising speed as before.

Pressing the Cruise Control Master Switch turns the system off and erases the previous cruising speed.

## Break-in Period, Gasoline Type

---

### Break-in Period

Help assure your vehicle's future reliability and performance by paying extra attention to how you drive during the first 600 miles (1,000 km). During this period:

- Avoid full-throttle starts and rapid acceleration.
- Do not change the oil until the scheduled maintenance time.
- Avoid hard braking for the first 200 miles (300 km).
- Do not tow a trailer.

You should also follow these recommendations with an overhauled or exchanged engine, or when the brakes are replaced.

### Gasoline Type

Your Honda is designed to operate on unleaded gasoline with a pump octane number of 86 or higher. Use of a lower octane gasoline can cause a persistent, heavy, metallic rapping noise in the engine that can lead to mechanical failure.

We recommend using gasoline containing detergent additives that help prevent fuel system and engine deposits.

In addition, in order to maintain good performance, fuel economy, and emissions control, we strongly recommend, in areas where it is available, the use of gasoline that does NOT contain manganese-based fuel additives such as MMT.

Use of gasoline with these additives may adversely affect performance, and cause the Malfunction Indicator Lamp on your instrument panel to

come on. If this happens, contact your authorized Honda dealer for service.

Some gasoline today is blended with oxygenates such as ethanol or MTBE. Your vehicle is designed to operate on oxygenated gasoline containing up to 10 percent ethanol by volume and up to 15 percent MTBE by volume. Do not use gasoline containing methanol.

If you notice any undesirable operating symptoms, try another service station or switch to another brand of gasoline.

Premium fuel is recommended when towing in certain conditions (see page 139 ).

For further important fuel-related information, please refer to your **Quick Start Guide**.

### Refueling

1. Park with the driver's side closest to the gas pump.
2. Open the fuel fill door by pulling on the notched edge.

#### **⚠ WARNING**

Gasoline is highly flammable and explosive. You can be burned or seriously injured when handling fuel.

- Stop the engine and keep heat, sparks, and flames away.
- Handle fuel only outdoors.
- Wipe up spills immediately.

3. Remove the fuel fill cap slowly. You may hear a hissing sound as pressure inside the tank escapes. Place the cap in the holder on the fuel fill door.
4. Stop filling the tank after the fuel nozzle automatically clicks off. Do not try to "top off" the tank. Leave some room for the fuel to expand with temperature changes.

*If the fuel nozzle keeps clicking off even though the tank is not full, there may be a problem with your vehicle's fuel vapor recovery system. The system helps keep fuel vapors from going into the atmosphere. Consult your dealer.*

5. Screw the fuel fill cap back on until it clicks at least three times. If you do not properly tighten the cap, the Malfunction Indicator Lamp may come on (see page [193](#)).
6. Push the fuel fill door closed.

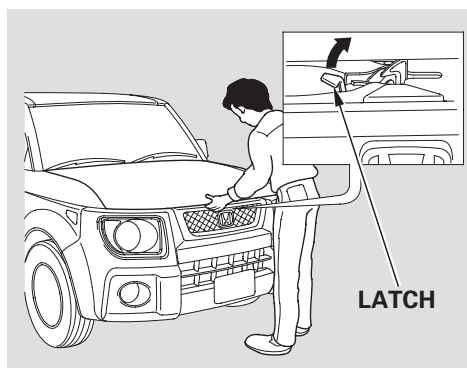
## Service Station Procedure

### Opening and Closing the Hood

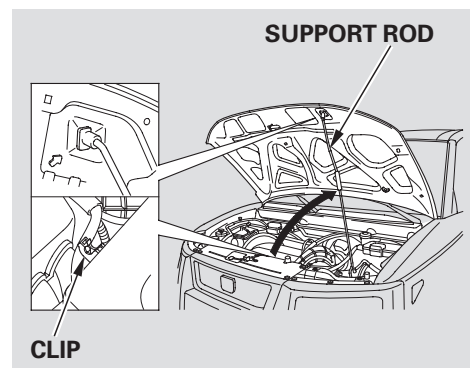


#### *To Open the Hood:*

1. Park the vehicle, and set the parking brake. Pull the hood release handle located under the lower left corner of the dashboard. The hood will pop up slightly.
2. Put your fingers under the front edge of the hood. The hood latch handle is above the "H" logo. Push this handle up to release it. Lift up the hood.



If the hood latch handle moves stiffly, or if you can open the hood without lifting the handle, the mechanism should be cleaned and lubricated.

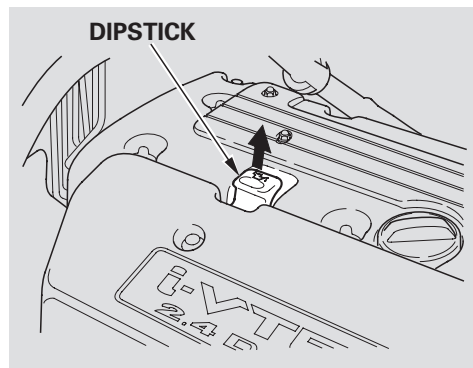


3. Pull the support rod out of its clip and insert the end into the hole in the hood.

#### *To Close the Hood:*

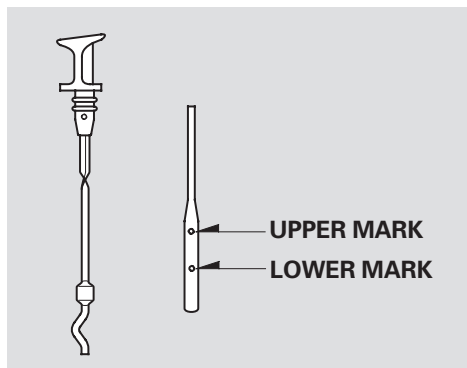
Lift it up slightly to remove the support rod from the hole. Put the support rod back into its holding clip. Lower the hood to the fender, then let it drop. Make sure it is securely latched.

### Oil Check



Wait a few minutes after turning the engine off before you check the oil.

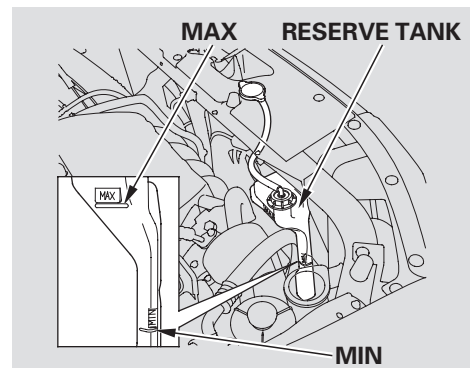
1. Remove the dipstick (orange tab).
2. Wipe the dipstick with a clean cloth or paper towel.
3. Insert it all the way back in its tube.



4. Remove the dipstick again and check the level. It should be between the upper and lower marks.

If it is near or below the lower mark, see **Adding Oil** on page 157.

### Engine Coolant Check



Look at the coolant level in the radiator reserve tank. Make sure it is between the MAX and MIN lines. If it is below the MIN line, see **Adding Engine Coolant** on page 160 for information on adding the proper coolant.

Refer to **Owner's Maintenance Checks** on page 151 for information on checking other items in your Honda.

## Fuel Economy

---

### Improving Fuel Economy

- Always maintain your vehicle according to the maintenance schedule. See **Owner's Maintenance Checks** (see page [151](#)).

*For example, an underinflated tire causes more "rolling resistance," which uses fuel.*

- The build-up of snow or mud on your vehicle's underside adds weight and rolling resistance. Frequent cleaning helps your fuel mileage and reduces the chance of corrosion.
- Drive moderately. Rapid acceleration, abrupt cornering and hard braking use more fuel.
- Always drive in the highest gear possible.

- Try to maintain a constant speed. Every time you slow down and speed up, your vehicle uses extra fuel. Use the cruise control when appropriate.
- Combine several short trips into one.
- The air conditioning puts an extra load on the engine which makes it use more fuel. Use the fresh-air ventilation when possible.

Modifying your vehicle, or installing some non-Honda accessories, can make your vehicle unsafe. Before you make any modifications or add any accessories, be sure to read the following information.

#### Accessories

Your dealer has Honda accessories that allow you to personalize your vehicle. These accessories have been designed and approved for your vehicle, and are covered by warranty.

Although aftermarket accessories may fit on your vehicle, they may not meet factory specifications, and could adversely affect your vehicle's handling and stability (see "Modifications" on page 116 for additional information).

#### **⚠ WARNING**

Improper accessories or modifications can affect your vehicle's handling, stability, and performance, and cause a crash in which you can be hurt or killed.

Follow all instructions in this owner's manual regarding accessories and modifications.

When properly installed, cellular phones, alarms, two-way radios, and low-powered audio systems should not interfere with your vehicle's computer controlled systems, such as the SRS and anti-lock brake systems.

However, if electronic accessories are improperly installed, or exceed your vehicle's electrical system capacity, they can interfere with the operation of your vehicle, or even cause the airbags to deploy.

Before installing any accessory:

- Make sure the accessory does not obscure any lights, or interfere with proper vehicle operation or performance.
- Be sure electronic accessories do not overload electrical circuits (see page 196).
- Have the installer contact your Honda dealer for assistance before installing any electronic accessory.

## Accessories and Modifications

---

### Modifications

Removing parts from your vehicle, or replacing components with non-Honda (aftermarket) components could seriously affect your vehicle's handling, stability, and reliability.

Some examples are:

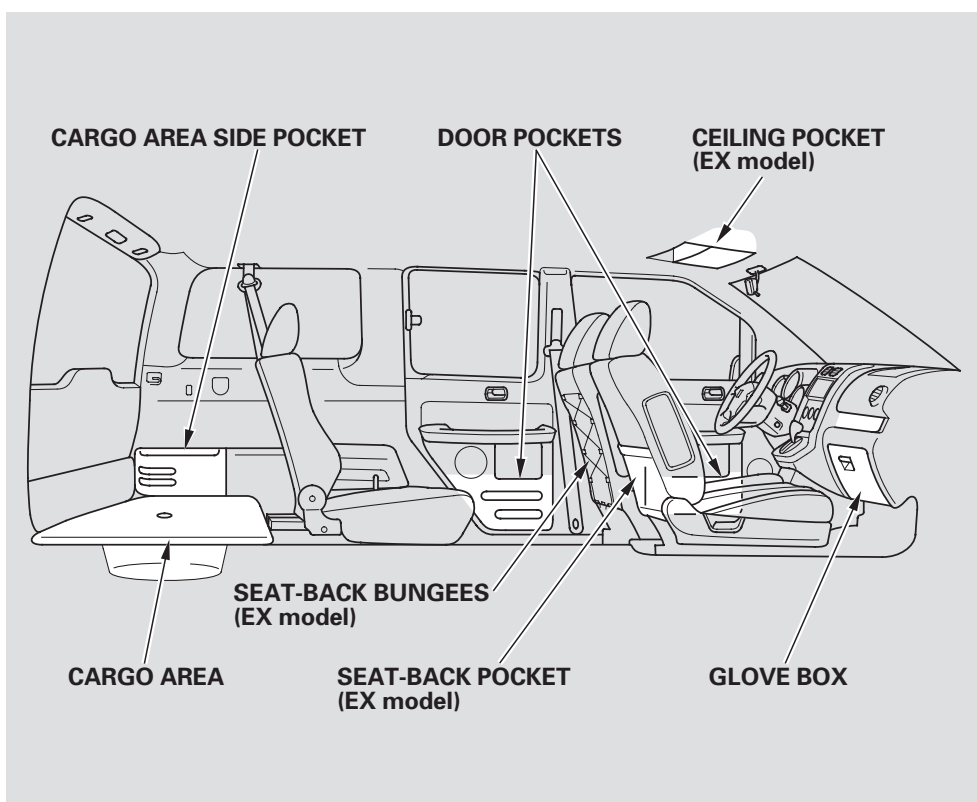
- Lowering your vehicle with an aftermarket suspension kit that significantly reduces ground clearance can allow the undercarriage to hit speed bumps or other raised objects, which could cause the airbags to deploy.
- Raising your vehicle with an aftermarket suspension kit can affect the handling and stability.
- Aftermarket wheels, because they are a universal design, can cause excessive stress on suspension components.

- Larger or smaller wheels and tires can interfere with the operation of your vehicle's anti-lock brakes and other systems.

Do not modify your steering wheel or any other part of your Supplemental Restraint System. Modifications could make the system ineffective. See the safety precautions on page 28 .

If you plan to modify your vehicle, consult your Honda dealer.

- ***Do not cover or replace front seat-back covers without consulting a Honda dealer.*** Improperly replacing or covering front seat-back covers can prevent your side airbags from inflating during a collision.



Your vehicle has several convenient storage areas:

- Cargo area side pockets
- Glove box
- Ceiling pocket (EX model)
- Door pockets
- Seat-back pocket (EX model)
- Cargo area
- Seat-back bungees (EX model)

However, carrying too much cargo, or improperly storing it, can affect your vehicle's handling, stability, stopping distance, and tires, and make it unsafe. Before carrying any type of cargo, be sure to read the following pages.

CONTINUED

## Carrying Cargo

### **⚠ WARNING**

Overloading or improper loading can affect handling and stability and cause a crash in which you can be hurt or killed.

Follow all load limits and other loading guidelines in this manual.

### **Load Limit**

The maximum load for your vehicle is 675 lbs (308 kg). This figure includes the total weight of all occupants, cargo, accessories, and the tongue weight if you are towing a trailer.

To determine the correct cargo and luggage load limit:

1. Locate the statement, “the combined weight of occupants and cargo should never exceed 675 lbs

(308 kg)” on your vehicle’s placard (on the driver’s doorjamb).

2. Determine the combined weight of the driver and passengers that will be riding in the vehicle. (Four is seating capacity of your vehicle.)
3. Subtract the combined weight of the driver and passengers from 675 lbs (308 kg).
4. The resulting figure equals the available amount of cargo and luggage load capacity.

For example, if there will be four 150 lbs (70 kg) occupants in your vehicle, the amount of available cargo and luggage load capacity is 75 lbs (34 kg).

$$4 \times 150 \text{ lbs (70 kg)} = 600 \text{ lbs (280 kg)}$$

$$675 \text{ lbs (308 kg)} - 600 \text{ lbs (280 kg)} = 75 \text{ lbs (34 kg)}$$

5. Determine the combined weight of accessories, luggage, and cargo being loaded in the vehicle. The weight may not safely exceed the available cargo and luggage load capacity calculated in step 4 [75 lbs (34 kg) in this example].

6. If your vehicle will be towing a trailer, the load from your trailer will be transferred to your vehicle. Consult this manual to determine how this reduces the available cargo and luggage load capacity of your vehicle.

The total weight must not exceed the Gross Vehicle Weight Rating (GVWR). The load for the front and rear axles also must not exceed the Gross Axle Weight Rating (GAWR) (see page 135).

### Carrying Items in the Passenger Compartment

- Store or secure all items that could be thrown around and hurt someone during a crash.
- Be sure items placed on the floor behind the front seats cannot roll under the seats and interfere with the pedals or seat operation.
- Keep the glove box closed while driving. If it is open, a passenger could injure their knees during a crash or sudden stop.

### Carrying Cargo in the Cargo Area or on a Roof Rack

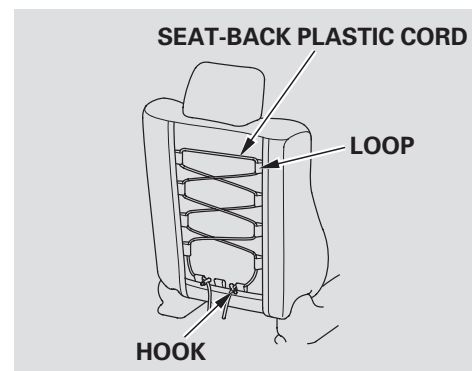
- Distribute cargo evenly on the floor of the cargo area, placing the heaviest items on the bottom and as far forward as possible. Tie down items that could be thrown about the vehicle during a crash or sudden stop.

- If you carry large items that prevent you from closing the tailgate or the hatch, exhaust gas can enter the passenger area. To avoid the possibility of **carbon monoxide poisoning**, follow the instructions on page 48 .
- If you can carry any items on a roof rack, be sure the total weight of the rack and the items does not exceed the maximum allowable weight. Please contact your Honda dealer for further information.

If you use an accessory roof rack, the roof rack weight limit may be lower. Refer to the information that came with your roof rack.

### Seat-Back Bungee

*EX models*



The driver's seat-back and left rear seat-back are equipped with adjustable bungee cords to hold medium-sized, lightweight objects.

If the cords are not installed, route one cord through the loops as shown. To attach the hooks, press the top of the hook down, and slide to the desired position, then release. Adjust as needed.

03/10/22 18:15:09 31SCV610 0125

WWW.MANUALS.WS

WWW.MANUALS.WS

## Driving Guidelines

---

Your Honda has a higher ground clearance that allows you to travel over bumps, obstacles, and rough terrain. It also provides good visibility so you can anticipate problems earlier.

Because your vehicle rides higher off the ground, it has a high center of gravity that can cause it to roll over if you make abrupt turns. Utility vehicles have a significantly higher roll over rate than other types of vehicles.

To prevent rollovers or loss of control:

- Take corners at slower speeds than you would with a passenger vehicle.
- Avoid sharp turns and abrupt maneuvers whenever possible.

- Do not modify your vehicle in any way that would raise the center of gravity.
- Do not carry heavy cargo on the roof.

### *Four-wheel Drive Models*

Your Honda is equipped with a four-wheel drive (4WD) system. When the system senses a loss of front-wheel traction, it automatically transfers some power to the rear wheels. This gives you better traction and mobility.

You still need to exercise the same care when accelerating, steering, and braking that you would in a two-wheel drive vehicle.

*See page 143 for additional guidelines for driving off-highway.*

### Preparing to Drive

You should do the following checks and adjustments before you drive your vehicle.

1. Make sure all windows, mirrors, and outside lights are clean and unobstructed. Remove frost, snow, or ice.
2. Check that the hood, tailgate and hatch are fully closed.
3. Visually check the tires. If a tire looks low, use a gauge to check its pressure.
4. Check that any items you may be carrying with you inside are stored properly or fastened down securely.
5. Check the seat adjustment (see page 73).
6. Check the adjustment of the inside and outside mirrors (see page 82).
7. Check the steering wheel adjustment (see page 64).
8. Make sure the doors, hatch, and tailgate are securely closed and locked.
9. Fasten your seat belt. Check that your passengers have fastened their seat belts (see page 14).
10. When you start the engine, check the gauges and indicator lights in the instrument panel (see page 53).

## Starting the Engine

---

1. Apply the parking brake.
2. In cold weather, turn off all electrical accessories to reduce the drain on the battery.
3. *Manual Transmission:*  
Push the clutch pedal down all the way.

*Automatic Transmission:*

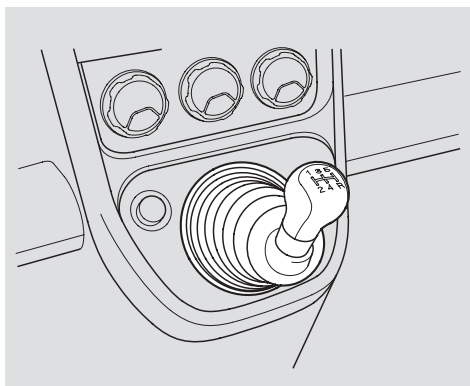
Make sure the shift lever is in Park. Press on the brake pedal.

4. Without touching the accelerator pedal, turn the ignition key to the START (III) position. Do not hold the key in START for more than 15 seconds at a time. If the engine does not start right away, pause for at least 10 seconds before trying again.
5. If the engine does not start within 15 seconds, or starts but stalls right away, repeat step 4 with the accelerator pedal pressed halfway down. If the engine starts, release pressure on the accelerator pedal so the engine does not race.

6. If the engine still does not start, press the accelerator pedal all the way down and hold it there while starting in order to clear flooding. If the engine still does not start, return to step 5.

**NOTICE**

*The engine is harder to start in cold weather. Also, the thinner air found at altitudes above 8,000 feet (2,400 meters) adds to this problem.*



The manual transmission is synchronized in all forward gears for smooth operation. It has a lockout so you cannot shift directly from Fifth to Reverse. When shifting up or down, make sure you push the clutch pedal down all the way, shift to the next gear, and let the pedal up gradually. When you are not shifting, do not rest your foot on the clutch pedal. This can cause your clutch to wear out faster.

Come to a full stop before you shift into Reverse. You can damage the transmission by trying to shift into Reverse with the vehicle moving. Push down the clutch pedal, and pause for a few seconds before shifting into Reverse, or shift into one of the forward gears for a moment. This stops the gears so they won't "grind."

When slowing down, you can get extra braking from the engine by shifting to a lower gear. This extra braking can help you maintain a safe speed and prevent your brakes from overheating while going down a steep hill. Before downshifting, make sure engine speed will not go into the tachometer's red zone in the lower gear.

**⚠ WARNING**

Rapid slowing or speeding-up can cause loss of control on slippery surfaces. If you crash, you can be injured.

Use extra care when driving on slippery surfaces.

## 5-speed Manual Transmission

---

### Recommended Shift Points

Drive in the highest gear that lets the engine run and accelerate smoothly. This will give you good fuel economy and effective emissions control. The following shift points are recommended:

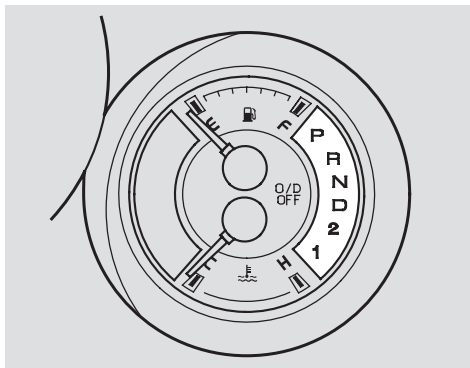
Shift up	Normal acceleration
1st to 2nd	15 mph (24 km/h)
2nd to 3rd	25 mph (40 km/h)
3rd to 4th	40 mph (64 km/h)
4th to 5th	48 mph (77 km/h)

### Engine Speed Limiter

If you exceed the maximum speed for the gear you are in, the engine speed will enter into the tachometer's red zone. If this occurs, you may feel the engine cut in and out. This is caused by a limiter in the engine's computer controls. The engine will run normally when you reduce the RPM below the red zone.

Before downshifting, make sure the engine will not go into the tachometer's red zone.

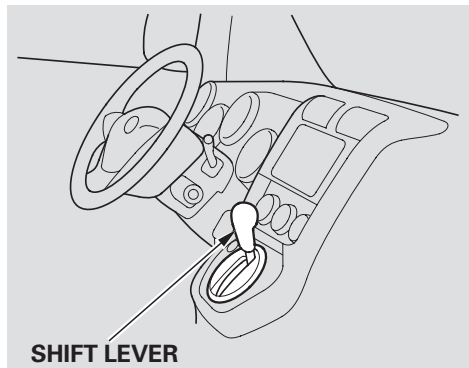
### Shift Lever Position Indicators



These indicators on the instrument panel show which position the shift lever is in.

The “D” indicator comes on for a few seconds when you turn the ignition switch to ON (II). If it flashes while driving (in any shift position), it indicates a possible problem in the transmission.

### Shifting



To shift from any position, press firmly on the brake pedal, push the release button, and pull the lever toward you. You cannot shift out of Park when the ignition switch is in LOCK (0) or ACCESSORY (I).

To shift from:	Do this:
P to R	Press the brake pedal and press the release button.
R to N N to D D to 2 2 to 1	Press the release button.
1 to 2 2 to D D to N N to R R to P	Move the lever.

**Park (P)** — This position mechanically locks the transmission. Use Park whenever you are turning off or starting the engine. To shift out of Park, you must press on the brake pedal and have your foot off the accelerator pedal.

If you have done all of the above and still cannot move the lever out of Park, see **Shift Lock Release** on page [130](#).

CONTINUED

## Automatic Transmission

WWW.MANUALS.WS

You must also press the release button to shift into Park. To avoid transmission damage, come to a complete stop before shifting into Park. The shift lever must be in Park before you can remove the key from the ignition switch.

**Reverse (R)** – Press the brake pedal and press the release button to shift from Park to Reverse. To shift from Reverse to Neutral, come to a complete stop and then shift.

Your vehicle has a reverse lockout so you cannot accidentally shift to Reverse when the vehicle speed exceeds 5 mph (8 km/h).

If you cannot shift to Reverse when the vehicle is stopped, press the brake pedal and slowly shift to Neutral. Then press the release button, and shift to reverse.

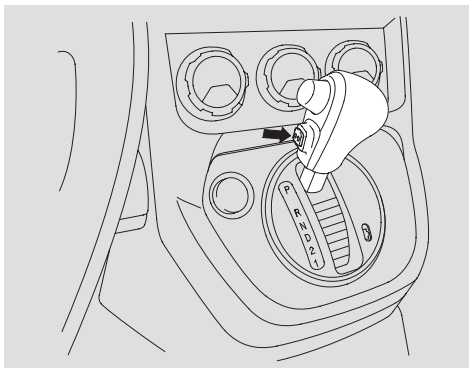
If there is a problem in the reverse lockout system, or your vehicle's battery is disconnected or goes dead, you cannot shift to Reverse. (Refer to Shift Lock Release on page 130).

**Neutral (N)** – Use Neutral if you need to restart a stalled engine, or if it is necessary to stop briefly with the engine idling. Shift to the Park position if you need to leave your vehicle for any reason.

**Drive (D)** – Use this position for your normal driving. The transmission automatically selects a suitable gear for the vehicle speed and acceleration. You may notice the transmission shifting up at higher speeds when the engine is cold. This helps the engine warm up faster.

WWW.MANUALS.WS

## Overdrive (O/D) Mode



The overdrive (O/D) is on whenever you turn the ignition to ON (II). Pressing the O/D switch on the end of the shift lever to turn it off; the O/D OFF indicator comes on.

Overdrive can be turned on or off only when the ignition switch is in the ON (II) position and the shift lever is in any position.

When the overdrive is off, the transmission selects only the first three gears. Use it to provide engine braking when going down a steep hill, or keep the transmission from cycling between third and fourth gear in stop-and-go driving.

**Second (2)** – To shift to Second press the release button. This position locks the transmission in second gear. It does not downshift to first gear when you come to a stop.

Use Second gear:

- For more power when climbing.
- To increase engine braking when going down steep hills.
- For starting out on a slippery surface or in deep snow.
- To help reduce wheel spin.
- When driving downhill with a trailer.

**First (1)** – To shift from Second to First, press the release button. This position locks the transmission in First gear. By upshifting and downshifting through 1, 2, and D, you can operate this transmission much like a manual transmission without a clutch pedal.

If you shift into First position when the vehicle speed is above 31 mph (50 km/h), the transmission shifts into Second gear first to avoid sudden engine braking.

### Engine Speed Limiter

If you exceed the maximum speed for the gear you are in, the engine speed will enter into the tachometer's red zone. If this occurs, you may feel the engine cut in and out. This is caused by a limiter in the engine's computer controls. The engine will run normally when you reduce the RPM below the red zone.

## Automatic Transmission

WWW.MANUALS.WS

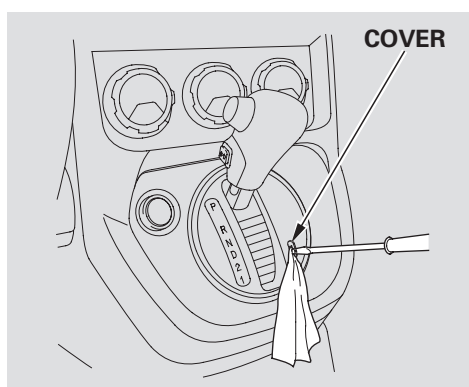
### Shift Lock Release

Do this if pushing on the brake pedal and pulling the shift lever does not shift the transmission out of Park:

1. Set the Parking brake.
2. Make sure the ignition switch is in the LOCK (0) position.

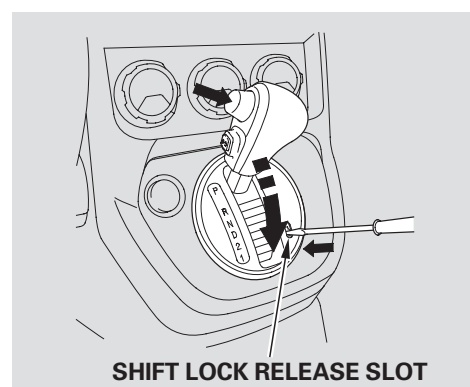
To release the reverse lockout, make sure the ignition switch is in the ACCESSORY (I) position.

3. Put a cloth on the edge of the shift lock release slot cover next to the shift lever. Using a flathead screwdriver, carefully pry on the edge of the cover to remove it.



4. Insert the flathead screwdriver into the shift lock release slot.
5. Push down on the screwdriver while you press the release button and move the shift lever out of Park to Neutral.

To release the reverse lockout, move the shift lever from Neutral to Reverse, then to Park.



6. Remove the screwdriver from the shift lock release slot, then replace the cover. Make sure the notch on the cover is on the right side. Press the brake pedal and restart the engine.

If you need to use the shift lock release, it means your vehicle is developing a problem. Have it checked by a Honda dealer.

WWW.MANUALS.WS

Always use the parking brake when you park your vehicle. Make sure the parking brake is set firmly or your vehicle may roll if it is parked on an incline.

If your vehicle has an automatic transmission, set the parking brake before you put the transmission in Park. This keeps the vehicle from moving and putting pressure on the parking mechanism in the transmission.

#### **Parking Tips**

- Make sure the windows are closed.
  - Turn off the lights.
  - Place any packages, valuables, etc. in the cargo area, or take them with you.
  - Lock the doors and the hatch with the key.
  - Never park over dry leaves, tall grass, or other flammable materials. The hot three way catalytic converter could cause these materials to catch on fire.
- If the vehicle is facing uphill, turn the front wheels away from the curb.
  - If the vehicle is facing downhill, turn the front wheels toward the curb.
  - Make sure the parking brake is fully released before driving away. Driving with the parking brake partially set can overheat or damage the rear brakes.

## Braking System

---

Your Honda is equipped with disc brakes at all four wheels. A power assist helps reduce the effort needed on the brake pedal. The ABS (on vehicles equipped with ABS) helps you retain steering control when braking very hard.

Resting your foot on the pedal keeps the brakes applied lightly, builds up heat, and reduces their effectiveness. It also keeps your brake lights on all the time, confusing drivers behind you.

Constant application of the brakes when going down a long hill builds up heat and reduces their effectiveness. Use the engine to assist the brakes by taking your foot off the accelerator and downshifting to a lower gear.

Check your brakes after driving through deep water. Apply the brakes moderately to see if they feel normal. If not, apply them gently and frequently until they do. Be extra cautious and alert in your driving.

### Braking System Design

The hydraulic system that operates the brakes has two separate circuits. Each circuit works diagonally across the vehicle (the left-front brake is connected with the right-rear brake, etc.). If one circuit should develop a problem, you will still have braking at two wheels.

### **Brake Wear Indicators**

If the brake pads need replacing, you will hear a distinctive, metallic screeching sound when you apply the brake pedal. If you do not have the brake pads replaced, they will screech all the time. It is normal for the brakes to occasionally squeal or squeak when you apply them.

### **Anti-lock Brakes**

*Standard on EX models*

The Anti-lock Brake System (ABS) helps prevent the brakes from locking up and helps you retain steering control by pumping the brakes rapidly, much faster than a person can do it.

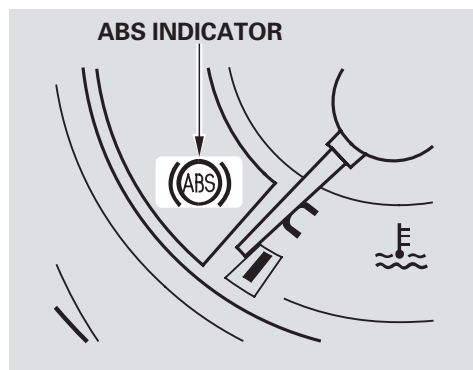
The ABS also balances the front-to-rear braking distribution according to vehicle loading.

*You should never pump the brake pedal; this defeats the purpose of the ABS. Let the ABS work for you by always keeping firm, steady pressure on the brake pedal as you steer away from the hazard. This is sometimes referred to as "stomp and steer."*

You will feel a pulsation in the brake pedal when the ABS activates, and you may hear some noise. This is normal: it is the ABS rapidly pumping the brakes. On dry pavement, you will need to press on the brake pedal very hard before the ABS activates. However, you may feel the ABS activate immediately if you are trying to stop on snow or ice.

## Anti-lock Brakes (ABS)

### ABS Indicator



The ABS is self-checking each time the vehicle is started and moved. The ABS indicator will come on if anything goes wrong. If the ABS indicator comes on, the brakes still work like a conventional system, but without anti-lock. You should have a dealer inspect your vehicle as soon as possible.

If the ABS indicator and the brake system indicator come on together, and the parking brake is fully released, the front-to-rear braking distribution system may also be shut down.

Test your brakes as instructed on page 194. If the brakes feel normal, drive slowly and have your vehicle repaired by your Honda dealer as soon as possible. Avoid sudden hard braking which could cause the rear wheels to lock up and possibly lead to a loss of control.

***Important Safety Reminders***  
**ABS does not reduce the time or distance it takes to stop the vehicle;** it only helps with steering control during braking. You should always maintain a safe following distance from other vehicles.

**ABS will not prevent a skid that results from changing direction abruptly,** such as trying to take a corner too fast or making a sudden lane change. Always drive at a safe, prudent speed for the road and weather conditions.

**ABS cannot prevent a loss of stability.** Always steer moderately when you are braking hard. Severe or sharp steering wheel movement can still cause your vehicle to veer into oncoming traffic or off the road.

**A vehicle with ABS may require a longer distance to stop on loose or uneven surfaces,** such as gravel or snow, than a vehicle without anti-lock. Slow down and allow a greater distance between vehicles under those conditions.

Your vehicle has been designed primarily to carry passengers and their cargo. You can use it to tow a trailer if you carefully observe the load limits, use the proper equipment, and follow the guidelines in this section.

Be sure to read the *Driving Off-Highway Guidelines* section on page [143](#) if you plan to tow off paved surfaces.

**⚠ WARNING**

Exceeding any load limit or improperly loading your vehicle and trailer can cause a crash in which you can be seriously hurt or killed.

Check the loading of your vehicle and trailer carefully before starting to drive.

To achieve a proper tongue load, start by loading 60 percent of the load toward the front of the trailer and 40 percent toward the rear, then re-adjust the load as needed.

**Gross Vehicle Weight Rating (GVWR)** – The maximum allowable weight of the vehicle, all occupants, all cargo and the tongue load is 4,450 lbs (2,020 kg).

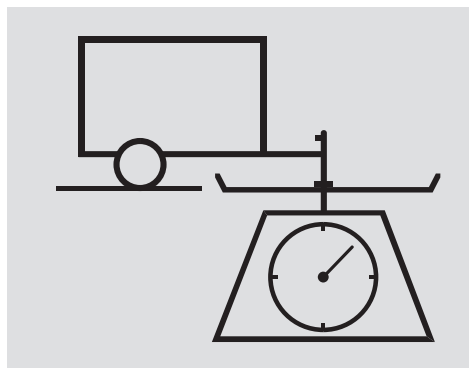
**Gross Axle Weight Ratings (GAWR)** – The maximum allowable weight on the vehicle axles are 2,300 lbs (1,045 kg) on the front axle, and 2,205 lbs (1,000 kg) on the rear axle.

The best way to confirm that all loads are within limits is to check them at a public scale.

## Towing a Trailer

---

**Total Trailer Weight:** The total weight of the trailer and everything loaded in it must not exceed 1,500 lbs (680 kg). Towing a load that is too heavy can seriously affect your vehicle's handling and performance. It can also damage the engine and drivetrain.



**Tongue Load:** The weight that the tongue of a fully-loaded trailer puts on the hitch should be approximately 10 percent of the trailer weight. Too little tongue load can make the trailer unstable and cause it to sway. Too much tongue load reduces front-tire traction and steering control.

**Towing Equipment and Accessories**

Towing generally requires a variety of supplemental equipment. To ensure the best quality, we recommend that you purchase Honda equipment whenever possible. Discuss any additional needs with your trailer sales or rental agency, and make sure all equipment is properly installed, maintained, and also meets state regulations.

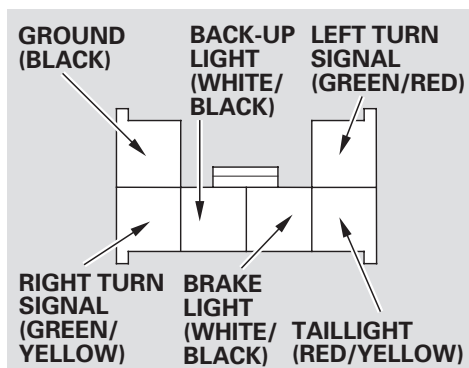
**Hitches**

Any hitch used on your vehicle must be properly bolted to the underbody.

**Safety Chains**

Always use safety chains. Make sure they are secured to both the trailer and hitch, and that they cross under the tongue so they can catch the trailer if it becomes unhitched. Leave enough slack to allow the trailer to turn corners easily, but do not let the chains drag on the ground.

**Trailer Lights**



Check trailer light requirements for the areas where you plan to tow.

Your vehicle has a trailer lighting connector located behind the right side panel in the cargo area. Refer to the drawing above for the wiring color code and purpose of each pin.

If you use a non-Honda trailer lighting harness and converter, you can get the connector and pins that mate with the connector in your vehicle from your Honda dealer.

Connector — 98530-00006-00  
Terminal Kit — 07JAZ-001-030A

**Trailer Brakes**

Honda requires that any trailer with a total trailer weight of 1,000 lbs (455 kg) or more has its own brakes.

There are two common types of trailer brakes: surge and electric. Surge brakes are common for boat trailers, since the brakes will get wet.

Electric brakes must be electronically actuated. Do not attempt to tap into your vehicle's hydraulic system. See your brake manufacturer for more information on installing electric brakes.

CONTINUED

## Towing a Trailer

---

### *Trailer Mirrors*

Many states and Canadian provinces require special outside mirrors when towing a trailer. Even if they don't, you should install special mirrors if you cannot clearly see behind you, or if the trailer creates a blind spot.

Ask your trailer sales or rental agency if any other items are recommended or required for your towing situation.

### **Pre-Tow Checklist**

When preparing to tow, and before driving away, be sure to check the following:

- The vehicle has been properly serviced, and the tires, brakes, suspension, and cooling system are in good operating condition.

If you tow frequently, follow the Severe Conditions maintenance schedule.

- The trailer has been properly serviced and is in good condition.
- All weights and loads are within limits (see page [136](#)).
- The hitch, safety chains, and any other attachments are secure.
- All items on and in the trailer are properly secured and cannot shift while you drive.

- The lights and brakes on your vehicle and the trailer are working properly.
- Your vehicle tires and spare are properly inflated (see page [172](#)), and the trailer tires and spare are inflated as recommended by the trailer maker.

**Driving Safely With a Trailer**

The added weight, length, and height of a trailer will affect your vehicle's handling and performance, so driving with a trailer requires some special driving skills and techniques.

For your safety and the safety of others, take time to practice driving maneuvers before heading for the open road, and follow the guidelines discussed below.

***Towing Speeds and Gears***

Drive slower than normal in all driving situations, and obey posted speed limits for vehicles with trailers. If you have an automatic transmission, use overdrive (O/D) when towing a trailer on level roads. Turn off the overdrive (O/D) mode when towing a trailer in hilly terrain. (see "*Driving on Hills*" in the next column for additional gear information.)

***Making Turns and Braking***

Make turns more slowly and wider than normal. The trailer tracks a smaller arc than your vehicle, and it can hit or run over something the vehicle misses. Allow more time and distance for braking. Do not brake or turn suddenly as this could cause the trailer to jackknife or turn over.

***Driving on Hills***

When climbing hills, closely watch your temperature gauge. If it nears the red mark, turn the air conditioning off, reduce speed and, if necessary, pull to the side of the road to let the engine cool.

If the automatic transmission shifts frequently between 3rd and 4th gears while going up a hill, turn off the overdrive (O/D) mode (see page 129).

If you must stop when facing uphill, use the foot brake or parking brake. Do not try to hold the vehicle in place by pressing on the accelerator, as this can cause the automatic transmission to overheat.

## Trailer Driving Tips

---

### ***Backing Up***

Always drive slowly and have someone guide you when backing up. Grip the *bottom* of the steering wheel; then turn the wheel to the left to get the trailer to move to the left, and turn the wheel right to move the trailer to the right.

### ***Handling Crosswinds and Buffeting***

Crosswinds and air turbulence caused by passing trucks can disrupt your steering and cause trailer swaying. When being passed by a large vehicle, keep a constant speed and steer straight ahead. Do not try to make quick steering or braking corrections.

### ***Parking***

Follow all normal precautions when parking, including firmly setting the parking brake and putting the transmission in Park (automatic) or in 1st or Reverse (manual). Also, place wheel chocks at each of the trailer's tires.

When driving down hills, reduce your speed and shift down to 3rd gear on the manual transmission, and turn off the overdrive (O/D) mode on the automatic transmission. Do not "ride" the brakes.

**Remember: It will take longer to slow down and stop when towing a trailer.**

## Towing Your Vehicle Behind a Motorhome

Your Honda can be towed behind a motorhome at legal highway speeds up to 65 mph (100 km/h). Do not exceed 65 mph (100 km/h). Otherwise, severe transmission damage will occur. To avoid damage to the 4WD system, it must be towed with all four wheels on the ground (flat towing).

When purchasing a tow bar, make sure you select a reputable manufacturer and installer. Follow the manufacturer's attachment instructions carefully.

Perform the following procedure everyday immediately before you begin towing. Otherwise severe automatic transmission damage will occur.

- Check the transmission fluid level (see page 162 ). Do not overfill.
- Start the engine.
- Press on the brake pedal. Move the shift lever through all its positions.
- Shift to D, then to N. Let the engine run for three minutes, then turn it off.
- Release the parking brake.
- Leave the ignition switch in the ACCESSORY (I) position so the steering wheel does not lock. Make sure the radio and any items plugged into the accessory power sockets are turned off so you do not run down the battery.

### NOTICE

*The steering system can be damaged if the steering wheel is locked. Leave the ignition switch in ACCESSORY (I), and make sure the steering wheel turns freely before you begin towing.*

### **Extended Towing**

**If you tow more than 8 hours in one day, you should repeat the above procedure at least every 8 hours (when you stop for fuel, etc.)**

### NOTICE

*Failure to follow the above instructions exactly will result in severe automatic transmission damage. If you cannot shift the transmission or start the engine, your vehicle must be transported on a flat-bed truck or trailer.*

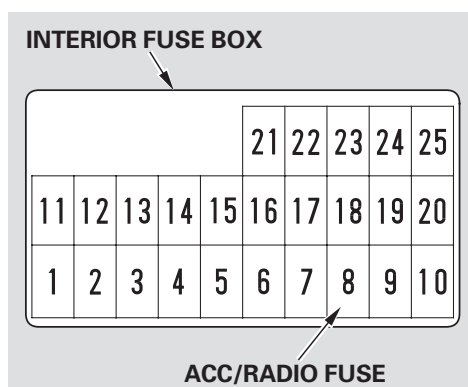
## Towing Your Vehicle Behind a Motorhome

### Automatic Transmission

#### *Extended Towing*

When towing your Element for long periods, remove the 7.5A Accessory/Radio fuse to reduce the drain on the battery. This fuse is located in the interior fuse box and is shown as number 8 below.

Only remove the fuse after you have performed the transmission shifting procedure, and the key is in the ACCESSORY (I) position. Store the fuse in an obvious location (center tray, coin pockets, etc) as a reminder to re-install the fuse before driving the vehicle.



### NOTICE

*This fuse **MUST** be re-installed before driving the vehicle. Failure to re-install the fuse may allow you to remove the key with the transmission in gear.*

*Severe automatic transmission damage will occur if the vehicle is not started or shifted from reverse to neutral and then towed with the drive wheels on the ground.*

**If you tow an Element with an automatic transmission, the transmission fluid must be changed every two years or 30,000 miles (48,000 km), whichever comes first.**

### General Information

Your vehicle has been designed primarily for use on pavement. But its higher ground clearance allows you to occasionally travel on unpaved roads, to campgrounds, picnic sites, and similar locations. It is not designed for trail-blazing, mountain climbing, or other challenging off-road activities.

If you decide to drive on unpaved roads, you will find that it requires somewhat different driving skills. Your vehicle will also handle somewhat differently than it does on pavement. So be sure to read this owner's manual, pay special attention to the precautions and tips in this section, and get acquainted with your vehicle before you leave the pavement.

### WARNING

Improperly operating this vehicle on or off-pavement can cause an accident or rollover in which you and your passengers could be seriously injured or killed.

- Follow all instructions and guidelines in the owner's manual.
- Keep your speed low and don't drive faster than conditions permit.

### Important Safety Precautions

To avoid loss of control or rollover, be sure to follow all precautions and recommendations.

- Be sure to store cargo properly and do not exceed your Honda cargo load limits (see pages [118](#) and [136](#)).
- Wherever you drive, make sure you and your passengers always wear seat belts.
- Keep your speed low, and never go faster than the conditions allow.
- It's up to you to continually assess the situation and drive within the limits.

## Off-Highway Driving Guidelines

---

### Check Out Your Vehicle

Before you leave the pavement, be sure to do all scheduled maintenance and service and that you inspect your vehicle. Pay special attention to the condition of the tires and check the tire pressure.

After you return to the pavement, carefully inspect your vehicle to make sure there is no damage that could make driving it unsafe. Recheck the condition of the tires and the tire pressure.

### Remember:

The route presents limits (too steep or bumpy roads). You have limits (driving skill and comfort). And your vehicle has limits (traction, stability, and power).

Driving off-highway can be hazardous if you fail to recognize limits and take the proper precautions.

### Accelerating and Braking

For better traction on all surfaces, accelerate slowly and gradually build up speed. If you try to start too fast on wet soil, mud, snow, or ice, you might not have enough traction to get underway and you may dig yourself a hole. Starting with the shift lever in second gear (2) will help you have a smoother start on snow and ice.

Keep in mind that you will usually need more time and distance to brake to a stop on unpaved surfaces. Avoid hard braking. Do not pump the brakes; let the anti-lock braking system pump them for you.

### Avoiding Obstacles

Debris in the road can damage your suspension or other components. Because your vehicle has a high center of gravity, driving over a large obstacle, or allowing a wheel to drop into a deep hole can cause your vehicle to tip or roll over.

### Driving on Slopes

If you can't clearly see all road conditions or obstacles, walk the slope before you drive on it. If you have any doubt whether or not you can safely drive on the slope, don't do it. Find another route.

If you are driving up a hill and find that you cannot continue, *do not try to turn around*. Your vehicle could roll over. Slowly back down the hill, following the same route you took up the hill.

### **Crossing a Stream**

Avoid driving through deep water. If you encounter water in your route (a small stream or large puddle, for example), evaluate it carefully before going ahead. Make sure it is shallow, flowing slowly, and has firm ground underneath. If you are not sure of the depth or the ground, turn around and find another route.

Driving through deep water can also damage your vehicle. The water can get into the transmission and differential, diluting the lubricant and causing an eventual failure. It can also wash the grease out of the wheel bearings.

### **If You Get Stuck**

Avoid driving on soft sand, deep mud, or other surfaces where you could get stuck. If you do happen to get stuck because of inclement weather or other conditions, choose a safe and appropriate course of action.

You should never use a jack to try getting unstuck. A jack only works on firm, level ground. Also, your vehicle could easily slip off the jack and hurt you or someone else.

### ***4-Wheel Drive Vehicles***

If you spin the wheels excessively trying to get unstuck, you may overheat the components of the 4-wheel drive system. If this happens, the 4-wheel drive system shuts off and only the front wheels receive power. If this happens, stop and allow everything to cool down. The 4-wheel drive system will work again after its temperature drops.

If you slip the clutch for a long time while trying to get unstuck, you may overheat and damage it.

03/10/22 18:19:29 31SCV610 0151

WWW.MANUALS.WS

WWW.MANUALS.WS

## Maintenance Safety

All service items not detailed in this section should be performed by a Honda technician or other qualified mechanic.

### Important Safety Precautions

To eliminate potential hazards, read the instructions before you begin, and make sure you have the tools and skills required.

- Make sure your vehicle is parked on level ground, the parking brake is set, and the engine is off.
- To clean parts, use a commercially available degreaser or parts cleaner, not gasoline.
- To reduce the possibility of fire or explosion, keep cigarettes, sparks, and flames away from the battery and all fuel-related parts.

- Wear eye protection and protective clothing when working with the battery or compressed air.

### WARNING

Improperly maintaining this vehicle or failing to correct a problem before driving can cause a crash in which you can be seriously hurt or killed.

Always follow the inspection and maintenance recommendations, and schedules in this owner's manual.

### Potential Vehicle Hazards

- **Carbon Monoxide poison from engine exhaust.** Be sure there is adequate ventilation whenever you operate the engine.
- **Burns from hot parts.** Let the engine and exhaust system cool before touching any parts.
- **Injury from moving parts.** Do not run the engine unless instructed to do so.

**⚠ WARNING**

Failure to properly follow maintenance instructions and precautions can cause you to be seriously hurt or killed.

Always follow the procedures and precautions in this owner's manual.

Some of the most important safety precautions are given here. However, we cannot warn you of every conceivable hazard that can arise in performing maintenance. Only you can decide whether or not you should perform a given task.

**Maintenance Schedule**

The maintenance schedule assumes you will use your vehicle as normal transportation for passengers and their possessions. You should also follow these recommendations:

- Avoid exceeding your vehicle's load limit. This puts excess stress on the engine, brakes, and many other parts of your vehicle. The load limit is shown on the tire information label on the driver's doorjamb.
- Operate your vehicle on reasonable roads within the legal speed limit.
- Drive your vehicle regularly over a distance of several miles (kilometers).
- Always use unleaded gasoline with the proper octane rating (see page [110](#)).

**Which Schedule to Follow:**

Service your vehicle according to the time and mileage periods on one of the Maintenance Schedules on the following pages.

**U.S. Owners** — Follow the Maintenance Schedule for Severe Conditions if you drive your vehicle MAINLY under one or more of the following conditions.

- Driving less than 5 miles (8 km) per trip or, in freezing temperatures, driving less than 10 miles (16 km) per trip.
- Driving in extremely hot [over 90°F (32°C)] conditions.
- Used primarily as a delivery vehicle or taxi that is driven mostly in stop-and-go traffic and/or parked with the engine idling.

CONTINUED

## Maintenance Schedule

---

- Trailer towing, driving with a roof top carrier, or driving in mountainous conditions.
- Driving on muddy, dusty, or de-iced roads.

**NOTE:** If you only OCCASIONALLY drive under “severe” conditions, you should follow the Maintenance Schedule for Normal Conditions.

**Canadian Owners** — Follow the Maintenance Schedule for Severe Conditions.

### Servicing Your Vehicle

Your authorized Honda dealer knows your vehicle best and can provide competent, efficient service. However, service at a dealer is not mandatory to keep your warranties in effect. Maintenance may be done by any qualified service facility or skilled person to keep all the receipts as proof of completion, and have the person who does the work fill out the Maintenance Record. Check your warranty booklet for more information.

We recommend the use of Honda parts and fluids whenever you have maintenance done.

U.S. Vehicles:

**Maintenance, replacement, or repair of emissions control devices and systems may be done by any automotive repair establishment or individual using parts that are “certified” to EPA standards.**

According to state and federal regulations, failure to perform maintenance on the items marked with # will not void your emissions warranties. However, Honda recommends that all maintenance services be performed at the recommended time or mileage period to ensure long-term reliability.

**Owner's Maintenance Checks**

You should check the following items at the specified intervals. If you are unsure of how to perform any check, turn to the appropriate page listed.

- Engine oil level – Check every time you fill the fuel tank. See page [113](#).
- Engine coolant level – Check the radiator reserve tank every time you fill the fuel tank. See page [113](#).
- Windshield washer fluid – Check the level in the reservoir monthly. If weather conditions cause you to use the washers frequently, check the reservoir each time you stop for fuel. See page [161](#).
- Automatic transmission – Check the fluid level monthly. See page [162](#).
- Brakes – Check the fluid level monthly. See page [164](#).
- Tires – Check the tire pressure monthly. Examine the tread for wear and foreign objects. See page [172](#).
- Lights – Check the operation of the headlights, parking lights, taillights, high-mount brake light, turn signals, brake lights, and license plate light monthly. See page [166](#).



Service the items listed at the indicated distance (or time, if given).																
	miles x 1,000	10	20	30	40	50	60	70	80	90	100	110	120	130	140	150
	km x 1,000	16	32	48	64	80	96	112	128	144	160	176	192	208	224	240
Check engine oil and coolant		Check oil and coolant at each fuel stop														
Check tires		Check inflation and condition once a month														
Replace engine oil		Every 5,000 miles (8,000 km) or every 6 months, whichever comes first														
Rotate tires (follow pattern on page 175)		Every 10,000 miles (16,000 km)														
Replace engine oil filter																
Check front and rear brakes																
Lubricate all hinges, locks and latches		•	•	•	•	•	•	•	•	•	•	•	•	•	•	•
Inspect the following items: Tie rod ends, steering gearbox, and boots Suspension components, Driveshaft boots		<i>(Or every 1 year, whichever comes first)</i>														
Check parking brake adjustment																
Inspect the following items: Brake hoses and lines (including ABS) All fluid levels and condition of fluids Exhaust system <sup>†</sup> , Fuel lines and connections <sup>#</sup> Lights and controls/vehicle underbody			•		•		•		•		•		•		•	
		<i>(Or every 1 year, whichever comes first)</i>														
Inspect drive belts				•			•			•			•			•
Replace dust and pollen filter* <sup>1</sup>		<i>(Or every 2 years, whichever comes first)</i>														
Replace air cleaner element		Every 15,000 miles (24,000 km) (Use normal schedule except in dusty condition)														
Replace spark plugs																
Inspect valve clearance																
		<i>(Otherwise adjust only if noisy)</i>														
Replace automatic transmission fluid* <sup>2</sup>																
Replace manual transmission fluid																
		<i>(Or every 3 years, whichever comes first)</i>														
Replace rear differential fluid																
		<i>(Or every 4 years, whichever comes first)</i>														
Inspect idle speed		Every 160,000 miles (256,000 km)														
Replace engine coolant		At 120,000 miles (192,000 km) or 10 years, then every 60,000 miles (96,000 km) or 5 years														
Replace brake fluid		Every 3 years (independent of mileage)														

Follow the Severe Maintenance Schedule if you drive your vehicle MAINLY under one or more of the following conditions:

- Driving less than 5 miles (8 km) per trip or, in freezing temperatures, driving less than 10 miles (16 km) per trip.
- Driving in extremely hot [over 90°F (32°C)] conditions.
- Extensive idling or long periods of stop and go driving, such as a taxi or a commercial delivery vehicle.
- Trailer towing, driving with a roof rack, or driving in mountainous conditions.
- Driving on muddy, dusty, or de-iced roads.

**For Canadian Owners – Follow the Maintenance Schedule for Severe Conditions.**

- \* 1 : See dust and pollen filter on page 170 for replacement information under special driving conditions.
- \* 2 : Replace at 60,000 miles (96,000 km) or 3 years, then every 30,000 miles (48,000 km) or 2 years.
- # : See information on maintenance and emissions warranty, last column, page 150.

## Maintenance Record *(for Normal and Severe Schedules)*

You or the servicing dealer can record all completed maintenance here, whether you follow the schedule for normal conditions (page 152) or severe conditions (page 153). Keep the receipts for all work done on your vehicle.

<b>5,000 mi</b> 8,000 km	Signature or dealer stamp	mi/km
		Date
<b>10,000 mi</b> 16,000 km		mi/km
		Date
<b>15,000 mi</b> 24,000 km		mi/km
		Date
<b>20,000 mi</b> 32,000 km (or 1 year)		mi/km
		Date
<b>25,000 mi</b> 40,000 km		mi/km
		Date
<b>30,000 mi</b> 48,000 km		mi/km
		Date
<b>35,000 mi</b> 56,000 km		mi/km
		Date
<b>40,000 mi</b> 64,000 km (or 2 years)		mi/km
		Date

<b>45,000 mi</b> 72,000 km	Signature or dealer stamp	mi/km
		Date
<b>50,000 mi</b> 80,000 km		mi/km
		Date
<b>55,000 mi</b> 88,000 km		mi/km
		Date
<b>60,000 mi</b> 96,000 km (or 3 years)		mi/km
		Date
<b>65,000 mi</b> 104,000 km		mi/km
		Date
<b>70,000 mi</b> 112,000 km		mi/km
		Date
<b>75,000 mi</b> 120,000 km		mi/km
		Date
<b>80,000 mi</b> 128,000 km (or 4 years)		mi/km
		Date

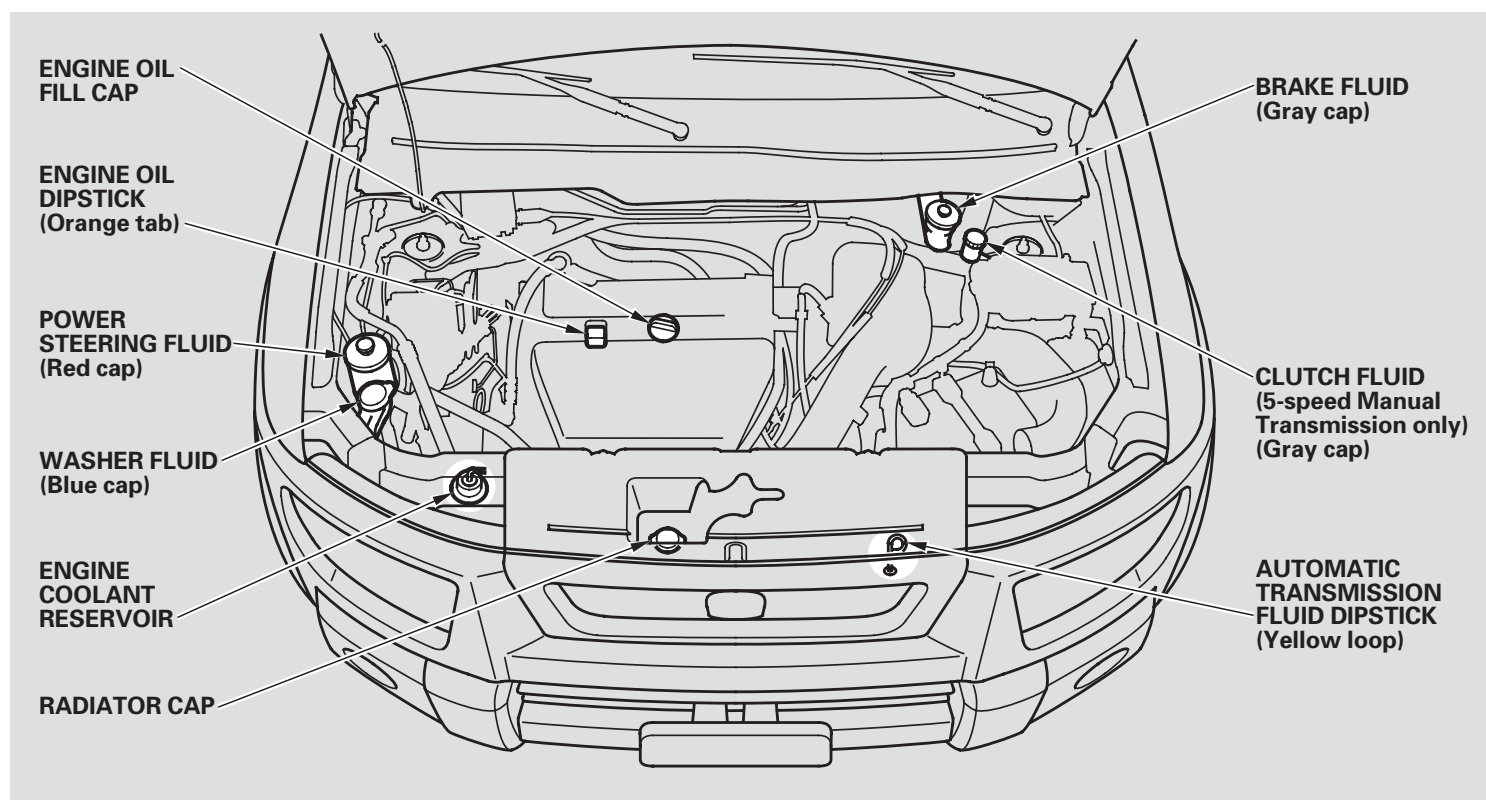
### 154 Maintenance

**Maintenance Record** (for Normal and Severe Schedules)

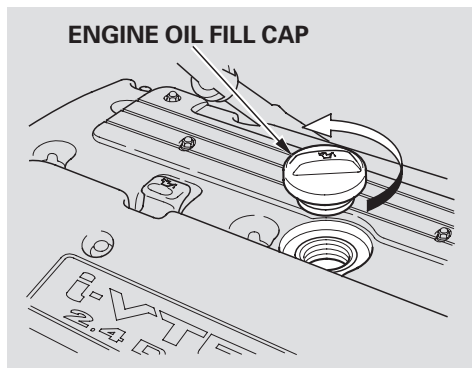
<b>85,000 mi</b> 136,000 km	Signature or dealer stamp	mi/km
		Date
<b>90,000 mi</b> 144,000 km		mi/km
		Date
<b>95,000 mi</b> 152,000 km		mi/km
		Date
<b>100,000 mi</b> 160,000 km (or 5 years)		mi/km
		Date
<b>105,000 mi</b> 168,000 km		mi/km
		Date
<b>110,000 mi</b> 176,000 km		mi/km
		Date
<b>115,000 mi</b> 184,000 km		mi/km
		Date
<b>120,000 mi</b> 192,000 km (or 6 years)		mi/km
		Date

<b>125,000 mi</b> 200,000 km	Signature or dealer stamp	mi/km
		Date
<b>130,000 mi</b> 208,000 km		mi/km
		Date
<b>135,000 mi</b> 216,000 km		mi/km
		Date
<b>140,000 mi</b> 224,000 km (or 7 years)		mi/km
		Date
<b>145,000 mi</b> 232,000 km		mi/km
		Date
<b>150,000 mi</b> 240,000 km		mi/km
		Date
<b>155,000 mi</b> 248,000 km		mi/km
		Date
<b>160,000 mi</b> 256,000 km (or 8 years)		mi/km
		Date

## Fluid Locations



**Adding Engine Oil**



Unscrew and remove the engine oil fill cap on top of the valve cover. Pour in the oil slowly and carefully so you do not spill. Clean up any spills immediately. Spilled oil could damage components in the engine compartment. Install the engine oil fill cap, and tighten it securely. Wait a few minutes, and recheck the oil level. Do not fill above the upper mark; you could damage the engine.

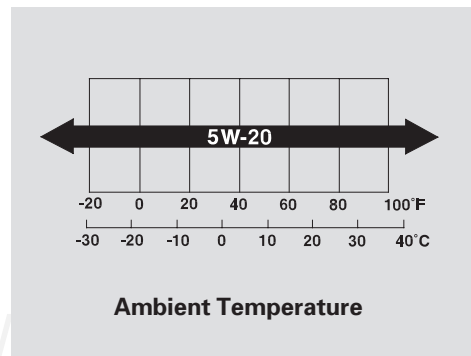
**Recommended Engine Oil**

Oil is a major contributor to your engine's performance and longevity. Always use a premium-grade 5W-20 detergent oil displaying the API Certification Seal. This seal indicates the oil is energy conserving, and that it meets the American Petroleum Institute's latest requirements.



Honda Motor Oil is the preferred 5W-20 lubricant for your vehicle. It is highly recommended that you use Honda Motor Oil in your vehicle for optimum engine protection. Make sure the API Certification Seal says "For Gasoline Engines".

The oil viscosity or weight is provided on the container's label. 5W-20 oil is formulated for year-round protection of your Honda to improve cold weather starting and fuel economy.



## Adding Engine Oil, Changing the Oil and Filter

### Synthetic Oil

You may use a synthetic motor oil if it meets the same requirements given for a conventional motor oil: it displays the API Certification Seal and it is the proper weight. You must follow the oil and filter change intervals given on the maintenance schedule.

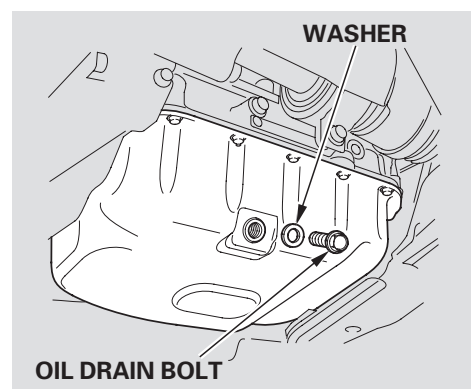
### Engine Oil Additives

Your Honda does not require any oil additives. Additives may adversely affect your engine's or transmission's performance and durability.

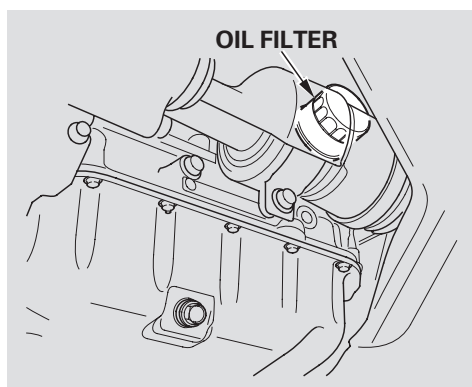
### Changing the Oil and Filter

Always change the oil and filter according to the recommendations in the maintenance schedule. The oil and filter collect contaminants that can damage your engine if they are not removed regularly.

Changing the oil and filter requires special tools and access from underneath the vehicle. The vehicle should be raised on a service station-type hydraulic lift for this service. Unless you have the knowledge and proper equipment, you should have this maintenance done by a skilled mechanic.



1. Run the engine until it reaches normal operating temperature, then shut it off.
2. Open the hood and remove the engine oil fill cap. Remove the oil drain bolt and washer from the bottom of the engine. Drain the oil into an appropriate container.



3. Remove the oil filter and let the remaining oil drain. A special wrench (available from your Honda dealer) is required.

4. Install a new oil filter according to the instructions that come with it.

5. Put a new washer on the drain bolt, then reinstall the drain bolt.

Tighten it to:

33 lbf·ft (44 N·m , 4.5 kgf·m)

6. Refill the engine with the recommended oil.

Engine oil change capacity

(including filter):

4.4 US qt (4.2 ℓ)

7. Replace the engine oil fill cap.

Start the engine. The oil pressure indicator should go out within 5 seconds. If it does not, turn off the engine and check your work.

8. Let the engine run for several minutes, then check the drain bolt and oil filter for leaks.

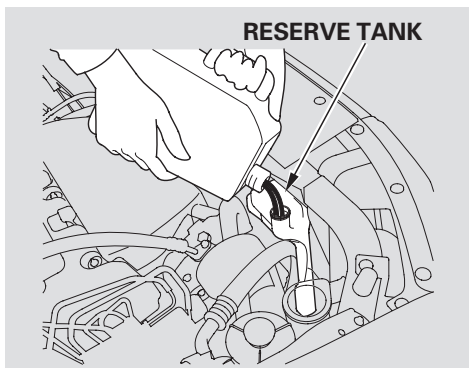
9. Turn off the engine and let it sit for several minutes, then check the oil level on the dipstick. If necessary, add more oil.

**NOTICE**

*Improper disposal of engine oil can be harmful to the environment. If you change your own oil, please dispose of the used oil properly. Put it in a sealed container, and take it to a recycling center. Do not discard it in a trash bin or dump it on the ground.*

## Engine Coolant

### Adding Engine Coolant



If the coolant level in the reserve tank is at or below the MIN line, add coolant to bring it up to between the MIN and MAX lines. Inspect the cooling system for leaks.

Always use Honda All Season Antifreeze/Coolant Type 2. This coolant is pre-mixed with 50 percent antifreeze and 50 percent water. Never add straight antifreeze or plain water.

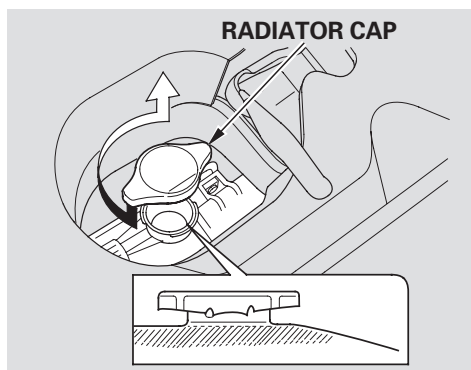
If Honda antifreeze/coolant is not available, you may use another major-brand non-silicate coolant as a temporary replacement. Make sure it is a high-quality coolant recommended for aluminum engines. Continued use of any non-Honda coolant can result in corrosion, causing the cooling system to malfunction or fail. Have the cooling system flushed and refilled with Honda antifreeze/coolant as soon as possible.

If the reserve tank is completely empty, you should also check the coolant level in the radiator.

### **WARNING**

Removing the radiator cap while the engine is hot can cause the coolant to spray out, seriously scalding you.

Always let the engine and radiator cool down before removing the radiator cap.



1. When the radiator and engine are cool, relieve any pressure in the cooling system by turning the radiator cap counterclockwise, without pressing down.
2. Remove the radiator cap by pushing down and turning counterclockwise.

3. The coolant level should be up to the base of the filler neck. Add coolant if it is low.

Pour the coolant slowly and carefully so you do not spill. Clean up any spill immediately; it could damage components in the engine compartment.

4. Put the radiator cap back on and tighten it.
5. Pour coolant into the reserve tank. Fill it to halfway between the MAX and MIN marks. Put the cap back on the reserve tank.

Do not add any rust inhibitors or other additives to your vehicle's cooling system. They may not be compatible with the coolant or engine components.

### Windshield Washers

Check the level in the windshield washer reservoir at least monthly during normal use.

*Canadian Models:* The low washer level indicator will light when the level is low (see page 57).

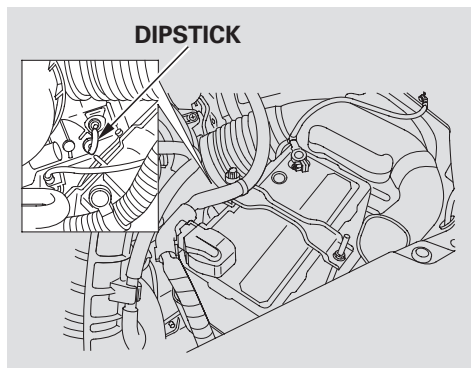
Fill the reservoir with a good-quality windshield washer fluid. This increases the cleaning capability and prevents freezing in cold weather. When you refill the reservoir, clean the edges of the windshield wiper blades with windshield washer fluid on a clean cloth. This will help to condition the blade edges.

#### NOTICE

*Do not use engine antifreeze or a vinegar/water solution in the windshield washer reservoir. Antifreeze can damage your vehicle's paint, while a vinegar/water solution can damage the windshield washer pump. Use only commercially-available windshield washer fluid.*

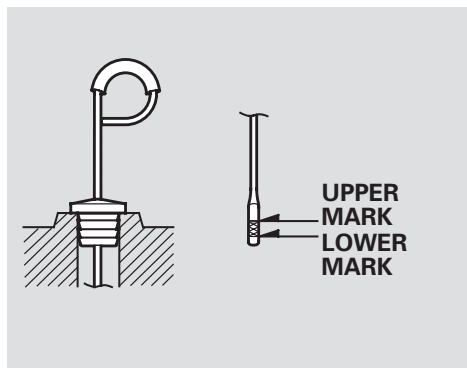
## Transmission Fluid

### Automatic Transmission



Check the fluid level with the engine at normal operating temperature.

1. Park the vehicle on level ground. Shut off the engine.
2. Remove the dipstick (yellow loop) from the transmission, and wipe it with a clean cloth.



3. Insert the dipstick all the way into the transmission.
4. Remove the dipstick and check the fluid level. It should be between the upper and lower marks.

5. If the level is below the lower mark, add fluid into the filler hole to bring it to the upper mark.

Always use Honda ATF-Z1 (Automatic Transmission Fluid). If it's not available, you may use a DEXRON® III automatic transmission fluid as a temporary replacement. However, continued use can affect the shift quality. Have the transmission flushed and refilled with Honda ATF-Z1 as soon as it is convenient.

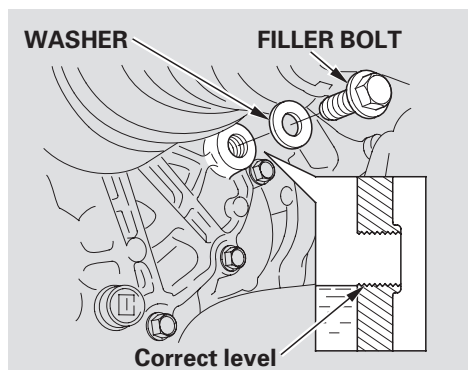
To thoroughly flush the transmission, the technician should drain and refill it with Honda ATF-Z1, then drive the vehicle for a short distance. Do this three times. Then drain and refill the transmission a final time.

6. Insert the dipstick all the way back into the transmission.

The transmission should be drained and refilled with new fluid according to the time and distance recommendations in the maintenance schedule.

If you are not sure how to add fluid, contact your Honda dealer.

### 5-speed Manual Transmission



Check the fluid level with the transmission at normal operating temperature and the vehicle sitting on level ground. Remove the transmission filler bolt and carefully feel inside the bolt hole with your finger. The fluid level should be up to the edge of the bolt hole. If it is not, add Honda Manual Transmission Fluid (MTF) until it starts to run out of the hole.

Put a new washer on the filler bolt, then reinstall the filler bolt and tighten it securely.

If Honda MTF is not available, you may use an SAE 10W-30 or 10W-40 viscosity motor oil with the API Certification seal that says "FOR GASOLINE ENGINES" as a temporary replacement. However, motor oil does not contain the proper additives, and continued use can cause stiffer shifting. Replace as soon as it is convenient.

The transmission should be drained and refilled with new fluid according to the time and distance recommendations in the maintenance schedule.

If you are not sure how to add fluid, contact your Honda dealer.

## Brake and Clutch Fluid

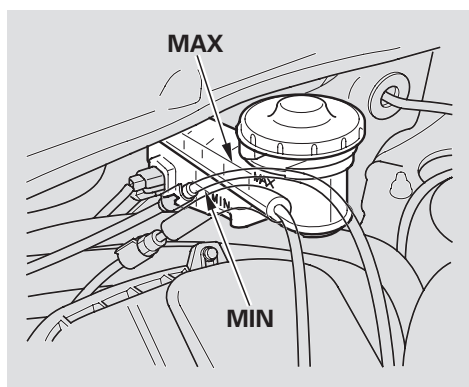
### Brake Fluid

Check the brake fluid level in the reservoirs monthly. Replace brake fluid according to the time recommendation in the maintenance schedule.

Always use Honda Heavy Duty Brake Fluid DOT 3. If it is not available, you should use only DOT 3 or DOT 4 fluid, from a sealed container, as a temporary replacement.

Using any non-Honda brake fluid can cause corrosion and decrease the life of the system. Have the brake system flushed and refilled with Honda Heavy Duty Brake Fluid DOT 3 as soon as possible.

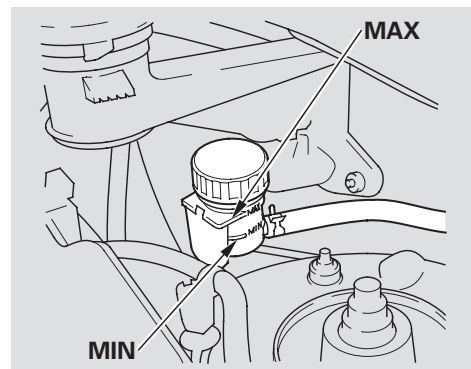
Brake fluid marked DOT 5 is not compatible with your vehicle's braking system and can cause extensive damage.



The fluid level should be between the MIN and MAX marks on the side of the reservoir. If the level is at or below the MIN mark, your brake system needs attention. Have the brake system inspected for leaks or worn brake pads.

### Clutch Fluid

*Manual Transmission only*

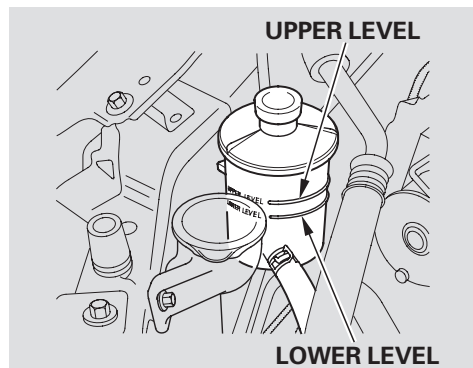


The fluid level should be between the MIN and MAX marks on the side of the reservoir. If it is not, add brake fluid to bring it up to that level. Use the same fluid specified for the brake system.

Low fluid level can indicate a leak in the clutch system. Have this system inspected as soon as possible.

## Power Steering Fluid, Cleaning the Body Panels

### Power Steering Fluid



Check the level on the side of the reservoir when the engine is cold. The fluid should be between the UPPER LEVEL and LOWER LEVEL. If not, add power steering fluid to the UPPER LEVEL.

Always use Honda Power Steering Fluid. You may use another power steering fluid as an emergency replacement, but have the power steering system flushed and refilled with Honda PSF as soon as possible.

A low power steering fluid level can indicate a leak in the system. Check the fluid level frequently, and have the system inspected as soon as possible.

#### NOTICE

*Turning the steering wheel to full left or right lock and holding it there can damage the power steering pump.*

### Cleaning the Body Panels

To clean the gray composite body panels, wash them with soap and water only. Do not apply any wax to the panels; it will cause discoloration.

## Lights

### Headlight Aiming

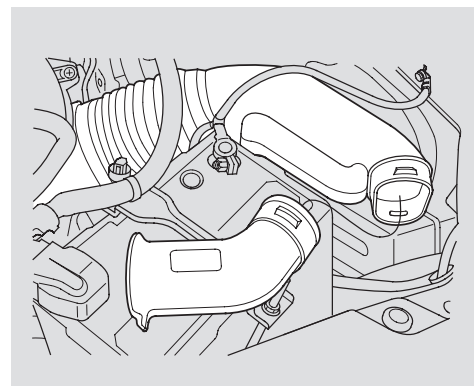
The headlights were properly aimed when your vehicle was new. If you regularly carry heavy items in the cargo area or pull a trailer, a readjustment may be required. Adjustments should be performed by a Honda dealer or other qualified mechanic.

### Replacing a Headlight Bulb

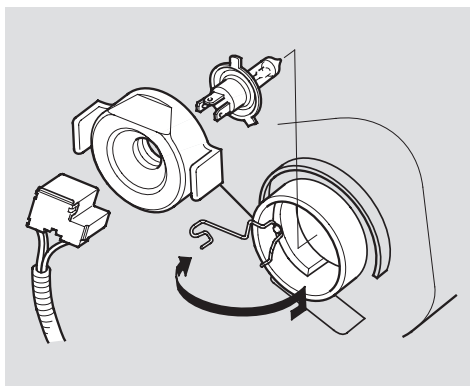
Your vehicle has halogen headlight bulbs. Handle it by its steel base and protect the glass from contact with your skin or hard objects. If you touch the glass, clean it with denatured alcohol and a clean cloth.

#### NOTICE

*Halogen headlight bulbs get very hot when lit. Oil, perspiration, or a scratch on the glass can cause the bulb to overheat and shatter.*



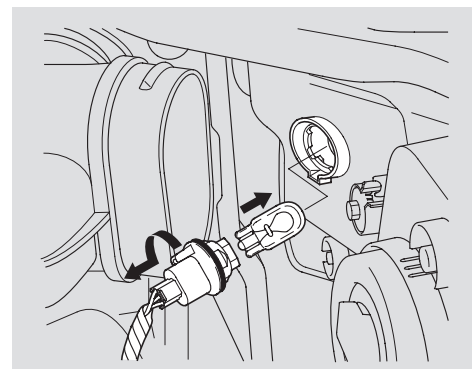
1. Open the hood.  
If you need to change the headlight bulb on the driver's side, remove the front end of the air intake duct by pulling it out.



2. Remove the electrical connector from the bulb by pulling the connector straight back.
3. Remove the rubber weather seal by pulling on the tab.
4. Unclip the end of the hold-down wire from its slot. Pivot it out of the way and remove the bulb.

5. Insert the new bulb into the hole, making sure the tabs are in their slots. Pivot the hold-down wire back in place, and clip the end into the slot.
6. Reinstall the rubber seal. Make sure it is right side up; it is marked "TOP."
7. Push the electrical connector onto the new bulb.
8. (Driver's side)  
Install the front end of the air intake duct.

### Replacing a Front Parking/Turn Signal Light Bulb

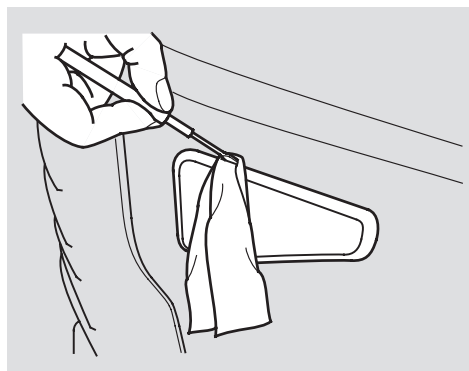


1. The front parking/turn signal light is next to the headlight bulb. On the driver's side, remove the front end of the air intake duct by pulling it out.
2. Remove the socket from the headlight assembly by turning it one-quarter turn counterclockwise.

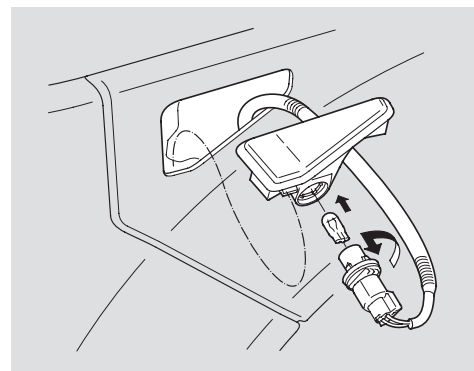
## Lights

3. Pull the bulb straight out of its socket. Push the new bulb straight into the socket until it bottoms.
4. Insert the socket back into the headlight assembly. Turn it clockwise to lock it in place.
5. Test the lights to make sure the new bulb is working.
6. (Driver's side)  
Install the front end of the air intake duct.

### Replacing a Front Side Marker Light Bulb



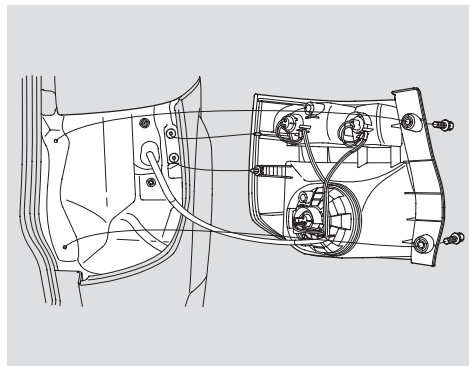
1. Place a cloth between the trim of the lens and the body, at the top of the lens. Remove the front side marker light assembly by carefully prying on the trim of the lens with a small flat-tipped screwdriver.



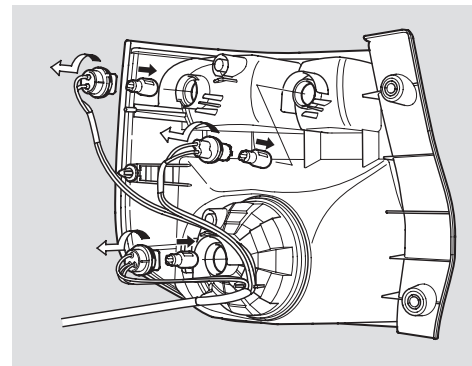
2. Remove the socket from the light assembly by turning it one-quarter turn counterclockwise.
3. Pull the bulb straight out of its socket. Push the new bulb straight into the socket until it bottoms.

4. Put the socket back into the light assembly and turn it clockwise to lock it in place.
5. Turn on the lights to make sure the new bulb is working.
6. Put the light assembly back into the body, bottom first. Push on the top edge until it snaps into place.

### Replacing Rear Bulbs



1. Open the hatch and the tailgate. Remove the two mounting screws with a Phillips-head screwdriver, and remove the taillight assembly from the body by pulling it back.
2. Determine which of the three bulbs is burned out: brake/taillight, turn signal light or back-up light.

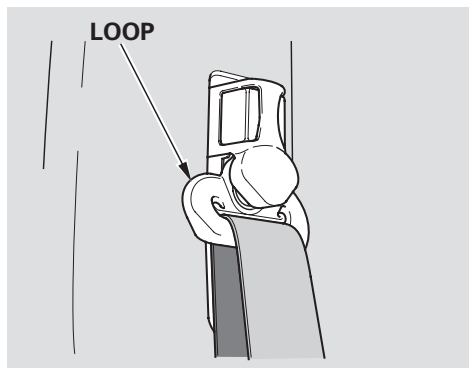


3. Remove the socket by turning it one-quarter turn counterclockwise.
4. Pull the bulb straight out of its socket. Push the new bulb straight into the socket until it bottoms.

## Lights, Seat Belts, Dust and Pollen Filter

5. Reinstall the socket into the light assembly by turning it clockwise until it locks.
6. Test the lights to make sure the new bulb is working.
7. When reinstalling the taillight assembly, first place the two pins in the holes in place. Tighten the two mounting bolts.

### Seat Belts



If your seat belts get dirty, use a soft brush with a mixture of mild soap and warm water to clean them. Do not use bleach, dye, or cleaning solvents. Let the belts air-dry before you use the vehicle.

Dirt build-up in the loops of the seat belt anchors can cause the belts to retract slowly. Wipe the insides of the loops with a clean cloth dampened in mild soap and warm water or isopropyl alcohol.

### Dust and Pollen Filter

This filter removes the dust and pollen that is brought in from the outside through the heating and cooling system/climate control system.

Have your Honda dealer replace this filter every 30,000 miles (48,000 km) under normal conditions. It should be replaced every 15,000 miles (24,000 km) if you drive primarily in urban areas that have high concentrations of soot in the air, or if the flow from the climate control system becomes less than usual.

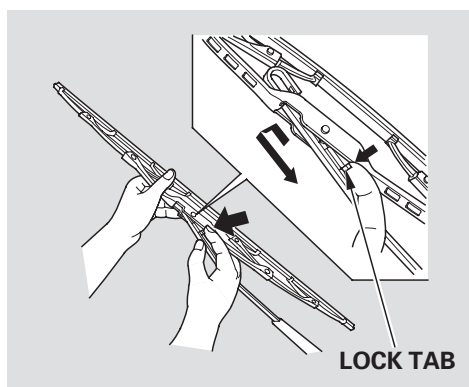
Check the condition of the wiper blades at least every six months. Replace them if you find signs of cracking in the rubber, areas that are getting hard, or if they leave streaks and unwiped areas when used.

1. Front:  
Raise the wiper arm off the windshield.

**NOTICE**

*Do not open the hood when the wiper arms are raised, or you will damage the hood and the arms.*

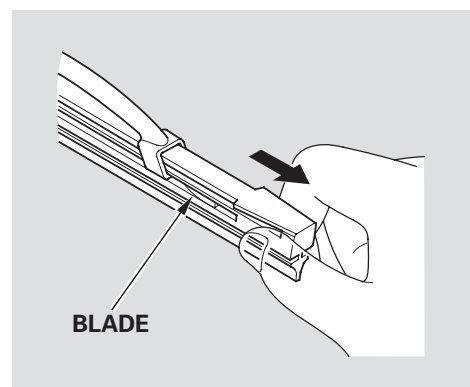
**Rear:**  
Raise the wiper arm off the hatch glass and hold it.



2. Disconnect the blade assembly from the wiper arm by pushing in the lock tab. Hold the lock tab in while you push the blade assembly toward the base of the arm.

If you are changing the rear wiper blade, go to step 6.

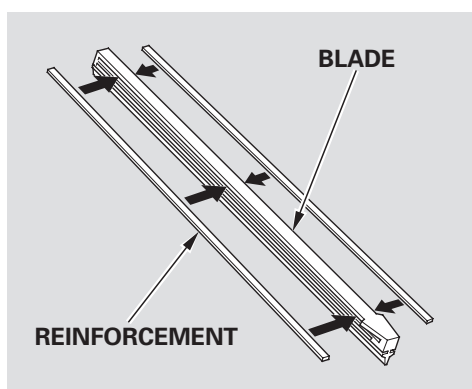
3. Remove the blade from its holder by grasping the tabbed end of the blade. Pull firmly until the tabs come out of the holder.



4. Examine the new wiper blades. If they have no plastic or metal reinforcement along the back edge, remove the metal reinforcement strips from the old wiper blade, and install them in the slots along the edge of the new blade.

CONTINUED

## Wiper Blades, Tires



5. Slide the new wiper blade into the holder until the tabs lock.
6. Slide the wiper blade assembly onto the wiper arm. Make sure it locks in place.
7. Lower the wiper arm down against the windshield or the hatch glass.

### Tires

To safely operate your vehicle, your tires must be the proper type and size, in good condition with adequate tread, and correctly inflated.

The following pages give more detailed information on how to take care of your tires and what to do when they need to be replaced.

### **⚠ WARNING**

Using tires that are excessively worn or improperly inflated can cause a crash in which you can be seriously hurt or killed.

Follow all instructions in this owner's manual regarding tire inflation and maintenance.

### Inflation

Keeping the tires properly inflated provides the best combination of handling, tread life, and riding comfort.

- Underinflated tires wear unevenly, adversely affect handling and fuel economy, and are more likely to fail from being overheated.
- Overinflated tires can make your vehicle ride more harshly, are more prone to damage from road hazards, and wear unevenly.

We recommend that you visually check your tires every day. If you think a tire might be low, check it immediately with a tire gauge.

Use a gauge to measure the air pressure at least once a month. Even tires that are in good condition may lose one to two psi (10 to 20 kPa, 0.1 to 0.2 kgf/cm<sup>2</sup>) per month. Remember to check the spare tire at the same time.

Check the pressure in the tires when they are cold. This means the vehicle has been parked for at least three hours, or driven less than 1 mile (1.6 km).

Add or release air, if needed, to match the recommended cold tire pressure.

If you check the pressure when the tires are hot [the vehicle has been driven several miles (kilometers)], you will see readings 4 to 6 psi (30 to 40 kPa, 0.3 to 0.4 kgf/cm<sup>2</sup>) higher than the cold reading. This is normal; do not release air to match the cold pressure.

You should get your own tire pressure gauge and use it whenever you check your tire pressures. This will make it easier for you to tell if a pressure loss is due to a tire problem and not due to a variation between gauges.

#### ***Recommended Tire Pressures for Normal Driving***

Tire Size	Cold Tire Pressure for Normal Driving
P215/70R16 99S	Front: 32 psi (220 kPa , 2.2 kgf/cm <sup>2</sup> ) Rear: 34 psi (235 kPa , 2.4 kgf/cm <sup>2</sup> )

The compact spare tire pressure is: 60 psi (420 kPa , 4.2 kgf/cm<sup>2</sup>)

For convenience, the recommended tire sizes and cold air pressures are on a label on the driver's doorjamb.

For additional technical information about your tires, see page [208](#).

Tubeless tires have some ability to self-seal if they are punctured. You should look closely for punctures if a tire starts losing pressure.

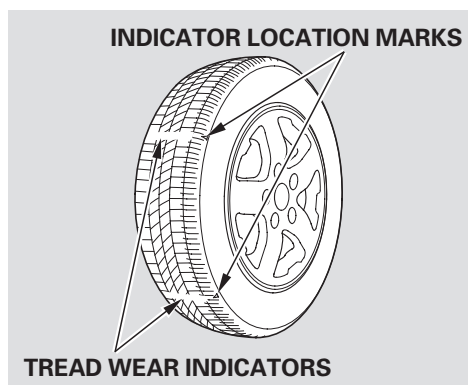
## Tires

### Tire Inspection

Every time you check inflation, you should also examine the tires for damage, foreign objects, and wear.

You should look for:

- Bumps or bulges in the tread or side of the tire. Replace the tire if you find either of these conditions.
- Cuts, splits, or cracks in the side of the tire. Replace the tire if you can see fabric or cord.
- Excessive tread wear. Your tires have wear indicators molded into the tread. When you see a  $\frac{3}{8}$  inch (10 mm) wide band running across the tread, there is less than  $\frac{1}{16}$  inch (1.6 mm) of tread left on the tire. A tire this worn gives very little traction on wet roads. Replace the tire if you can see three or more tread wear indicators on the tire.



### Tire Maintenance

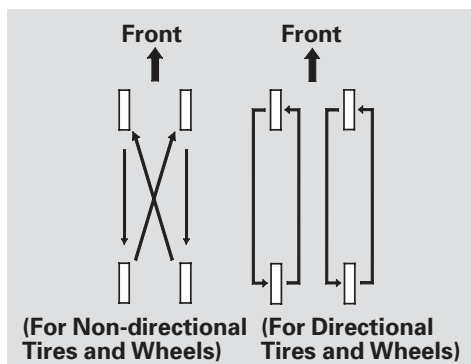
In addition to proper inflation, correct wheel alignment helps to decrease tire wear. If you find a tire is worn unevenly, have your dealer check the wheel alignment.

Have your dealer check the tires if you feel a consistent vibration while driving. A tire should always be rebalanced if it is removed from the wheel. When you have new tires installed, make sure they are balanced. This increases riding comfort and tire life. For best results, have the installer perform a dynamic balance.

#### NOTICE

*On vehicles equipped with aluminum wheels, improper wheel weights can damage your wheels. Use only genuine Honda wheel weights for balancing.*

### Tire Rotation



To help increase tire life and distribute wear more evenly, rotate the tires every 10,000 miles (16,000 km). Move the tires to the positions shown in the chart each time they are rotated. If you purchase directional tires, rotate only front-to-back.

### Replacing Tires and Wheels

The tires that came with your vehicle were selected to match the performance capabilities of the vehicle while providing the best combination of handling, ride comfort, and long life.

Replace your tires with radial tires of the same size, load range, speed rating, and maximum cold tire pressure rating (as shown on the tire's sidewall). Mixing radial and bias-ply tires on your vehicle can reduce braking ability, traction, and steering accuracy. Using tires of a different size or construction can cause the ABS to work inconsistently.

It is best to replace all four tires at the same time. If that is not possible or necessary, then replace the two front tires or the rear tires as a pair. Replacing just one tire can seriously affect your vehicle's handling.

### **⚠ WARNING**

Installing improper tires on your vehicle can affect handling and stability. This can cause a crash in which you can be seriously hurt or killed.

Always use the size and type of tires recommended in this owner's manual.

### Wheels and Tires

Wheels:  
16 x 6 1/2JJ

Tires:  
P215/70R16 99S

See page 206 for DOT tire quality grading information, and page 208 for tire size explanation.

CONTINUED

## Tires

The ABS works by comparing the speed of the wheels. When replacing tires, use the same size originally supplied with the vehicle. Tire size and construction can affect wheel speed and may cause the system to work inconsistently.

If you ever need to replace a wheel, make sure the wheel's specifications match those of the original wheel that came on your vehicle. Replacement wheels are available at your Honda dealer.

### Winter Driving

Tires marked "M + S" or "All Season" on the sidewall have an all-weather tread design suitable for most winter driving conditions.

For the best performance in snowy or icy conditions, you should install snow tires or tire chains. They may be required by local laws under certain conditions.

### Snow Tires

If you mount snow tires on your Honda, make sure they are radial tires of the same size and load range as original tires. Mount snow tires on all four wheels. The traction provided by snow tires on dry roads may be lower than your original tires. Check with the tire dealer for maximum speed recommendations.

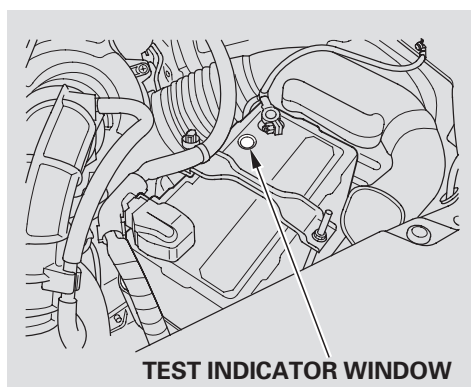
### Tire Chains

Because your Honda has limited tire clearance, mount only SAE Class "S" cable-type traction devices on the front tires. Use traction devices only when required by driving conditions or local laws. Make sure they are the correct size for your tires. Metal link-type "chains" should not be used.

When installing cables, follow the manufacturer's instructions, and mount them as tight as you can. Make sure they are not contacting the brake lines or suspension. Drive slowly with them installed. If you hear them coming into contact with the body or chassis, stop and investigate. Remove them as soon as you begin driving on cleared roads.

### NOTICE

*Traction devices that are the wrong size or improperly installed can damage your vehicle's brake lines, suspension, body, and wheels. Stop driving if they are hitting any part of the vehicle.*



TEST INDICATOR WINDOW

Check the condition of the battery monthly by looking at the test indicator window. The label on the battery explains the test indicator's colors.

Check the terminals for corrosion (a white or yellowish powder). To remove it, cover the terminals with a solution of baking soda and water. It will bubble up and turn brown. When this stops, wash it off with plain water. Dry off the battery with a cloth or paper towel. Coat the terminals with grease to help prevent future corrosion.

If additional battery maintenance is needed, see your Honda dealer or a qualified technician.

**WARNING:** Battery posts, terminals, and related accessories contain lead and lead compounds. **Wash your hands after handling.**

**▲ WARNING**

The battery gives off explosive hydrogen gas during normal operation.

A spark or flame can cause the battery to explode with enough force to kill or seriously hurt you.

Wear protective clothing and a face shield, or have a skilled mechanic do the battery maintenance.

## Vehicle Storage

---

If you need to park your vehicle for an extended period (more than one month), there are several things you should do to prepare it for storage. Proper preparation helps prevent deterioration and makes it easier to get your vehicle back on the road. If possible, store your vehicle indoors.

- Fill the fuel tank.
- Change the engine oil and filter.
- Wash and dry the exterior completely.
- Clean the interior. Make sure the carpeting, floor mats, etc., are completely dry.
- Leave the parking brake off. Put the transmission in Reverse (5-speed manual) or Park (automatic).

- Block the rear wheels.
- If the vehicle is to be stored for a longer period, it should be supported on jackstands so the tires are off the ground.
- Leave one window open slightly (if the vehicle is being stored indoors).
- Disconnect the battery.
- Support the front and rear wiper blade arms with a folded towel or rag so they do not touch the windshield.
- To minimize sticking, apply a silicone spray lubricant to all door and tailgate seals. Also, apply a vehicle body wax to the painted surfaces that mate with the door and tailgate seals.

- Cover the vehicle with a “breathable” cover, one made from a porous material such as cotton. Non-porous materials, such as plastic sheeting, trap moisture, which can damage the paint.
- If possible, run the engine periodically until it reaches full operating temperature (the cooling fan cycles on and off twice). Preferably do this once a month.

If you store your vehicle for 12 months or longer, have your Honda dealer perform the inspections called for in the 24 months maintenance schedule (Normal Conditions) as soon as you take it out of storage (see page 152). The replacements called for in the maintenance schedule are not needed unless the vehicle has actually reached that time or mileage.

## Compact Spare Tire

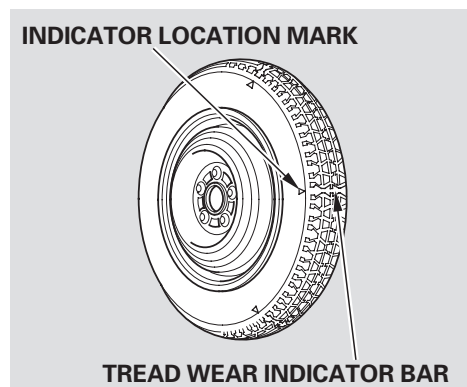
Your vehicle has a compact spare tire that takes up less space. Use this spare tire as a temporary replacement only. Get your regular tire repaired or replaced and put it back on your vehicle as soon as you can.

Check the inflation pressure of the compact spare tire every time you check the other tires. It should be inflated to:  
60 psi (420 kPa , 4.2 kgf/cm<sup>2</sup>)

Follow these precautions whenever you are using the compact spare tire:

- Do not exceed 50 mph (80 km/h) under any circumstances.
- This tire gives a harsher ride and less traction on some road surfaces than the regular tire. Use greater caution while driving on this tire.

- Do not mount snow chains on the compact spare tire.
- Do not use the compact spare tire if you are towing a trailer.
- The wheel of the compact spare tire is designed especially to fit your vehicle. Do not use your spare tire on another vehicle unless it is the same make and model.



The compact spare tire has a shorter tread life than a regular tire. Replace it when you can see the tread wear indicator bars. The replacement should be the same size and design tire, mounted on the same wheel. The compact spare tire is not designed to be mounted on a regular wheel, and the compact wheel is not designed for mounting a regular tire.

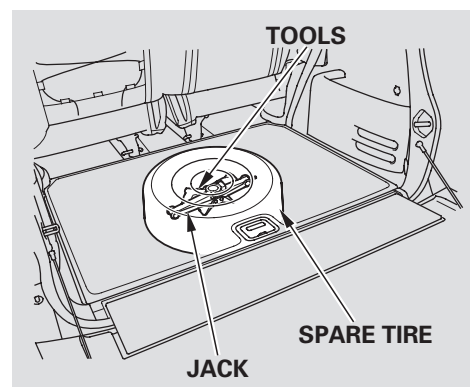
If you have a flat tire while driving, stop in a safe place to change it. Drive slowly along the shoulder until you get to an exit or an area to stop that is far away from the traffic lanes.

**⚠ WARNING**

The vehicle can easily roll off the jack, seriously injuring anyone underneath.

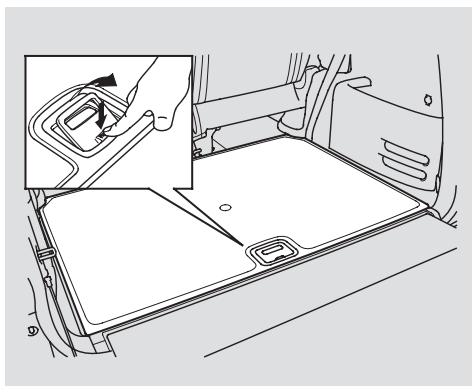
Follow the directions for changing a tire exactly, and never get under the vehicle when it is supported only by the jack.

1. Park the vehicle on firm, level and non-slippery ground. Put the transmission in Park (automatic) or Reverse (manual). Apply the parking brake. If you are towing a trailer, unhitch the trailer.
2. Turn on the hazard warning lights, and turn the ignition switch to LOCK (0). Have all the passengers get out of the vehicle while you change the tire.

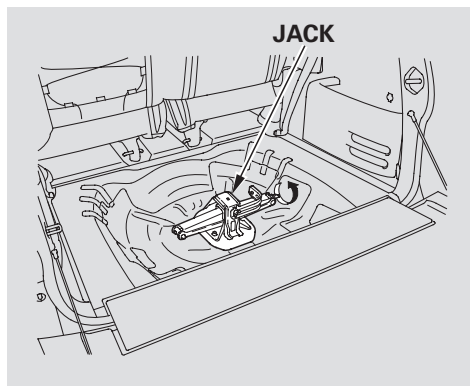


3. Open the hatch and the tailgate.
4. The spare tire, jack, and tools are under the cargo area floor.

## Changing a Flat Tire

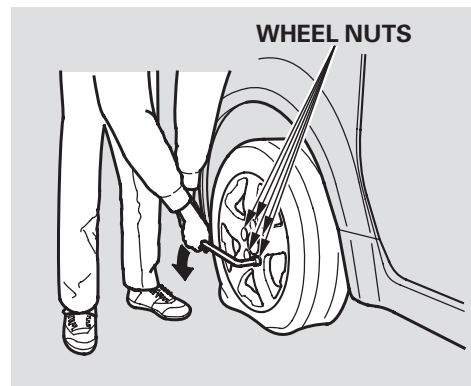


5. Push the rear edge of the handle to raise the handle loop and pull up the loop to raise the cargo area floor.

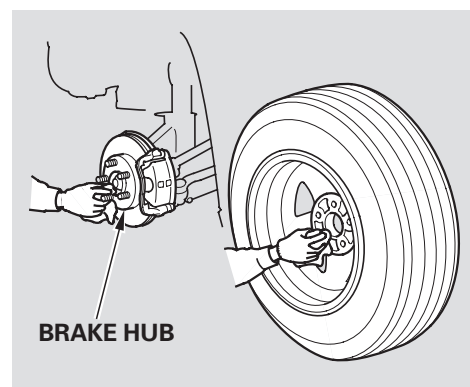
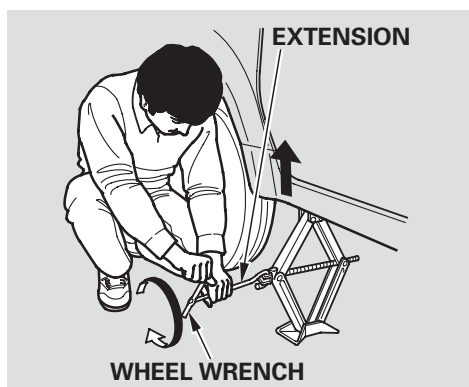
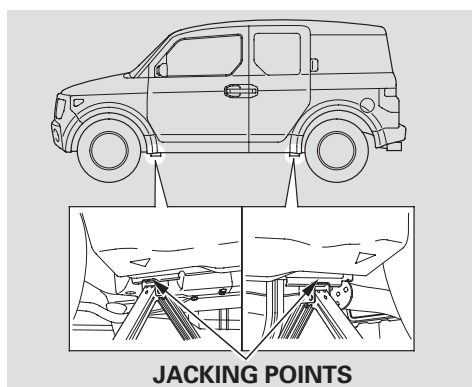


6. Unscrew the wing bolt and take the spare tire out of the cargo area.

7. Remove the tools and the jack. To remove the jack, turn the jack's end bracket counterclockwise to loosen it.



8. Loosen the five wheel nuts 1/2 turn with the wheel wrench.



9. Locate the jacking point nearest the tire you need to change. It is pointed to by an arrow molded into the underside of the body. Place the jack under the jacking point. Turn the end bracket clockwise until the top of the jack contacts the jacking point. Make sure the jacking point tab is resting in the jack notch.

10. Use the extension and wheel wrench as shown to raise the vehicle until the flat tire is off the ground.

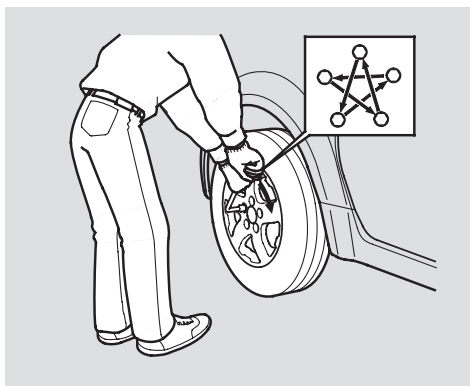
11. Remove the wheel nuts and flat tire. Temporarily place the flat tire on the ground with the outside surface of the wheel facing up.

12. Wipe any dirt off the mounting surface of the wheel and hub with a clean cloth. Wipe the hub carefully, it may be hot from driving.

13. Put on the spare tire. Put the wheel nuts back on finger-tight, then tighten them in a crisscross pattern with the wheel wrench until the wheel is firmly against the hub. Do not try to tighten them fully.

*CONTINUED*

## Changing a Flat Tire



14. Lower the vehicle to the ground and remove the jack.
15. Tighten the wheel nuts securely in the same crisscross pattern. Have the wheel nut torque checked at the nearest automotive service facility.  
Tighten the wheel nuts to:  
80 lbf·ft (108 N·m , 11 kgf·m)

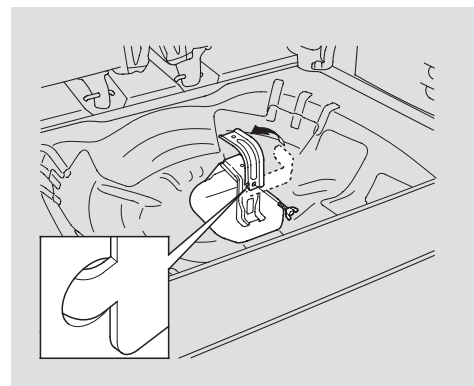
16. Store the jack in its holder. Turn the jack's end bracket to lock it in place. Store the tools.

17. Remove the center cap from the flat tire, and store it in the spare tire well.

### **⚠ WARNING**

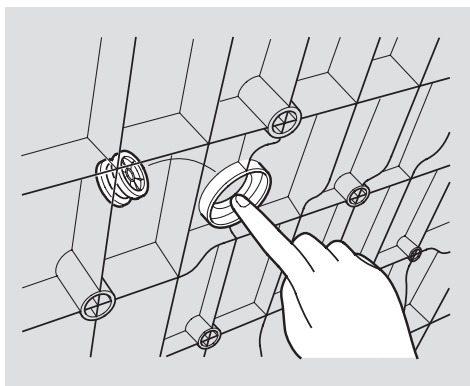
Loose items can fly around the interior in a crash and could seriously injure the occupants.

Store the wheel, jack, and tools securely before driving.

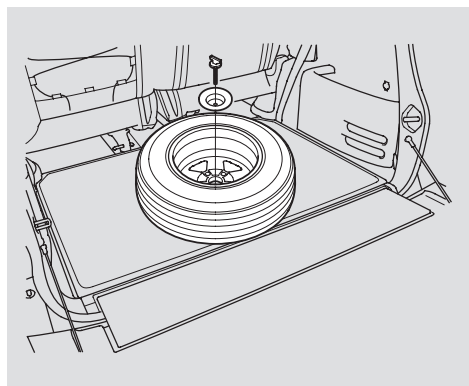


18. Remove the wing bolt on the spare tire mount, and pivot the arm 90° to the upright position. Then tighten the wing bolt securely.

## 184 Taking Care of the Unexpected



19. Remove the small round plug from the cargo area floor by pushing it from the back side to make a hole. Store the removed plug in a place you can easily remember.



20. Reinstall the cargo area floor. Place the flat tire face down on the cargo area floor.

21. Align the center of the flat tire with the hole in the cargo area floor. Remove the spacer cone from the wing bolt, turn it over, and put it back on the bolt.

22. Secure the flat tire by screwing the wing bolt to the spare tire mount through the hole in the cargo area floor.

## If the Engine Won't Start

---

Diagnosing why the engine won't start falls into two areas, depending on what you hear when you turn the key to START (III):

- You hear nothing, or almost nothing. The engine's starter motor does not operate at all, or operates very slowly.
- You can hear the starter motor operating normally, or the starter motor sounds like it is spinning faster than normal, but the engine does not start up and run.

### Nothing Happens or the Starter Motor Operates Very Slowly

When you turn the ignition switch to START (III), you do not hear the normal noise of the engine trying to start. You may hear a clicking sound or series of clicks, or nothing at all. Check these things:

- Check the transmission interlock. If you have a manual transmission, the clutch pedal must be pushed all the way to the floor or the starter will not operate. With an automatic transmission, it must be in Park or Neutral.
- Turn the ignition switch to ON (II). Turn on the headlights, and check their brightness. If the headlights are very dim or don't light at all, the battery is discharged. See **Jump Starting** on page [188](#).

- Turn the ignition switch to START (III). If the headlights do not dim, check the condition of the fuses. If the fuses are OK, there is probably something wrong with the electrical circuit for the ignition switch or starter motor. You will need a qualified technician to determine the problem (see **Emergency Towing** on page [195](#)).

If the headlights dim noticeably or go out when you try to start the engine, either the battery is discharged or the connections are corroded. Check the condition of the battery and terminal connections (see page [177](#)). You can then try jump starting the vehicle from a booster battery (see page [188](#)).

### **The Starter Operates Normally**

In this case, the starter motor's speed sounds normal, or even faster than normal, when you turn the ignition switch to START (III), but the engine does not run.

- Are you using a properly coded key? An improperly coded key will cause the immobilizer system indicator in the instrument panel to blink rapidly (see page [66](#)).
- Are you using the proper starting procedure? Refer to **Starting the Engine** on page [124](#).

- Do you have fuel? Check the fuel gauge; the low fuel indicator may not be working.
- There may be an electrical problem, such as no power to the fuel pump. Check all the fuses (see page [196](#)).

If you find nothing wrong, you will need a qualified technician to find the problem. See **Emergency Towing** on page [195](#).

## Jump Starting

Although this seems like a simple procedure, you should take several precautions.

### **WARNING**

A battery can explode if you do not follow the correct procedure, seriously injuring anyone nearby.

Keep all sparks, open flames, and smoking materials away from the battery.

You cannot start a Honda with an automatic transmission by pushing or pulling it.

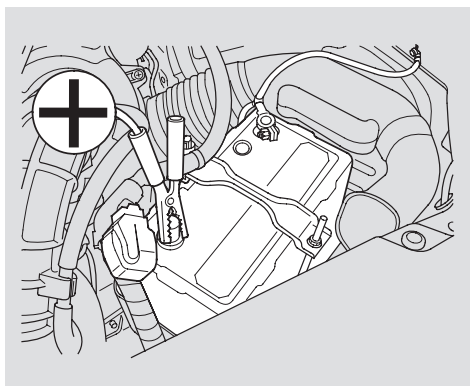
### *To Jump Start Your Vehicle:*

1. Open the hood, and check the physical condition of the battery. In very cold weather, check the condition of the electrolyte. If it seems slushy or like ice, do not try jump starting until it thaws.

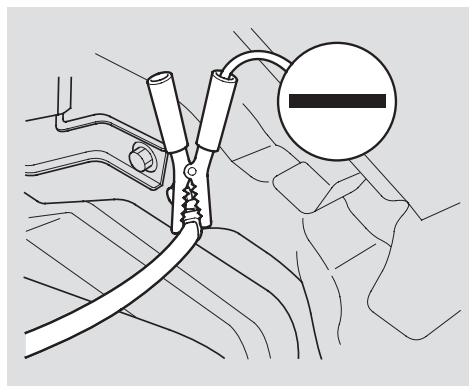
### **NOTICE**

*If a battery sits in extreme cold, the electrolyte inside can freeze. Attempting to jump start with a frozen battery can cause it to rupture.*

2. Turn off all the electrical accessories: heater, A/C, stereo system, lights, etc. Put the transmission in Neutral or Park, and set the parking brake.



3. Connect one jumper cable to the positive (+) terminal on your battery. Connect the other end to the positive (+) terminal on the booster battery.



4. Connect the second jumper cable to the negative (-) terminal on the booster battery. Connect the other end to the grounding strap as shown. Do not connect this jumper cable to any other part of the engine.

5. If the booster battery is in another vehicle, have an assistant start that vehicle and run it at a fast idle.

6. Start your vehicle. If the starter motor still operates slowly, check the jumper cable connections to make sure they have good metal-to-metal contact.

7. Once your vehicle is running, disconnect the negative cable from your vehicle, then from the booster battery. Disconnect the positive cable from your vehicle, then from the booster battery.

Keep the ends of the jumper cables away from each other and any metal on the vehicle until all are disconnected. Otherwise, you may cause an electrical short.

## If the Engine Overheats

The pointer of the vehicle's temperature gauge should stay in the midrange. If it climbs to the red mark, you should determine the reason (hot day, driving up a steep hill, etc.).

If the vehicle overheats, you should take immediate action. The only indication may be the temperature gauge climbing to or above the red mark. Or you may see steam or spray coming from under the hood.

### NOTICE

*Driving with the temperature gauge pointer at the red mark can cause serious damage to your engine.*

### ⚠ WARNING

Steam and spray from an overheated engine can seriously scald you.

Do not open the hood if steam is coming out.

1. Safely pull to the side of the road. Put the transmission in Neutral or Park, and set the parking brake. Turn off all accessories, and turn on the hazard warning lights.
2. If you see steam and/or spray coming from under the hood, turn off the engine. Wait until you see no more signs of steam or spray, then open the hood.

3. If you do not see steam or spray, leave the engine running, and watch the temperature gauge. If the high heat is due to overloading, the engine should start to cool down almost immediately. If it does, wait until the temperature gauge comes down to the midpoint, then continue driving.
4. If the temperature gauge stays at the red mark, turn off the engine.

5. Look for any obvious coolant leaks, such as a split radiator hose. Everything is still extremely hot, so use caution. If you find a leak, it must be repaired before you continue driving (see **Emergency Towing** on page 195).
6. If you don't find an obvious leak, check the coolant level in the radiator reserve tank (see page 113).
7. If there was no coolant in the reserve tank, you may need to add coolant to the radiator. Let the engine cool down until the pointer reaches the middle of the temperature gauge or lower before checking the radiator.

**⚠ WARNING**

Removing the radiator cap while the engine is hot can cause the coolant to spray out, seriously scalding you.

Always let the engine and radiator cool down before removing the radiator cap.

8. Using gloves or large heavy cloth, turn the radiator cap counterclockwise, without pushing down, to the first stop. After the pressure releases, push down on the cap, and turn it until it comes off.

9. Start the engine, and set the temperature control dial to maximum. Add coolant to the radiator up to the base of the filler neck. If you do not have the proper coolant mixture available, you can add plain water. Remember to have the cooling system drained and refilled with the proper mixture as soon as you can.
10. Put the radiator cap back on tightly. Run the engine, and watch the temperature gauge. If it goes back to the red mark, the engine needs repair (see **Emergency Towing** on page 195).
11. If the temperature stays normal, check the coolant level in the radiator reserve tank. If it has gone down, add coolant to the MAX mark. Put the cap back on tightly.

WWW.MANUALS.WS

## Low Oil Pressure Indicator, Charging System Indicator

### Low Oil Pressure Indicator



This light should never come on when the engine is running. If it starts flashing or stays on, the oil pressure has dropped very low. Serious engine damage is possible and you should take immediate action.

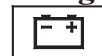
#### NOTICE

*Running the engine with low oil pressure can cause serious mechanical damage almost immediately. Turn off the engine as soon as you can safely get the vehicle stopped.*

1. Safely pull off the road, and shut off the engine. Turn on the hazard warning lights.
2. Let the vehicle sit for a minute. Open the hood, and check the oil level (see page 113 ). An engine very low on oil can lose pressure during cornering and other driving maneuvers.
3. If necessary, add oil to bring the level back to the full mark on the dipstick (see page 157 ).
4. Start the engine, and watch the oil pressure light. If it does not go out within ten seconds, turn off the engine. There is a mechanical problem that needs to be repaired before you can continue driving. (See **Emergency Towing** on page 195 ).

WWW.MANUALS.WS

### Charging System Indicator



If the charging system indicator comes on brightly when the engine is running, the battery is not being charged.

Immediately turn off all electrical accessories. Try not to use other electrically operated controls such as the power windows. Keep the engine running; starting the engine will discharge the battery rapidly.

Go to a service station or garage where you can get technical assistance.



If the indicator comes on while driving, it means one of the engine's emissions control systems may have a problem. Even though you may feel no difference in your vehicle's performance, it can reduce your fuel economy and cause increased emissions. Continued operation may cause serious damage.

If you have recently refueled your vehicle, the indicator coming on could be due to a loose or missing fuel fill cap. Tighten the cap until it clicks at least three times. Tightening the cap will not turn the indicator off immediately; it takes at least three days of normal driving.

If the indicator comes on repeatedly, even though it may turn off as you continue driving, have the vehicle checked by the dealer as soon as possible.

**NOTICE**

*If you keep driving with the malfunction indicator lamp on, you can damage your vehicle's emissions controls and engine. Those repairs may not be covered by your vehicle's warranties.*


**Readiness Codes**


Your vehicle has certain "readiness codes" that are part of the on-board diagnostics for the emissions systems. In some states, part of the emissions testing is to make sure these codes are set. If they are not set, the test cannot be completed.

If your vehicle battery has been disconnected or gone dead, these codes are erased. It takes at least three days of driving under various conditions to set the codes again.

To check if they are set, turn the ignition to ON (II), without starting the engine. The Malfunction Indicator Lamp will come on for 20 seconds. If it then goes off, the readiness codes are set. If it blinks 5 times, the readiness codes are not set. If possible, do not take your vehicle for a state emissions test until the readiness codes are set. Refer to State Emissions Testing for more information, on page [212](#).

## Brake System Indicator

**U.S.**  
 If the brake system indicator comes on while driving, the brake fluid level is probably low. Press lightly on the brake pedal if it feels normal. If it does not, check the brake fluid level the next time you stop at a service station (see page 164).

**Canada**  


If the fluid level is low, take your vehicle to a dealer and have the brake system inspected for leaks or worn brake pads.

However, if the brake pedal does not feel normal, you should take immediate action. A problem in one part of the system's dual circuit design will still give you braking at two wheels. You will feel the brake pedal go down much farther before the vehicle begins to slow down, and you will have to press harder on the pedal.

Slow down by shifting to a lower gear, and pull to the side of the road when it is safe. Because of the long distance needed to stop, it is hazardous to drive the vehicle. You should have it towed and repaired as soon as possible (see **Emergency Towing** on page 195).

If you must drive the vehicle a short distance in this condition, drive slowly and carefully.

If your vehicle needs to be towed, call a professional towing service or an organization. Never tow your vehicle with just a rope or chain. It is very dangerous.

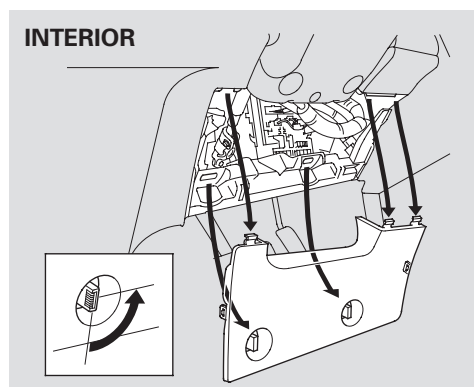
**The only way you can safely tow your vehicle is with flat-bed equipment.** The operator will load your vehicle on the back of a truck. Any other method of towing will damage the drive system. When you contact the towing agency, inform them a flat-bed is required.

**NOTICE**

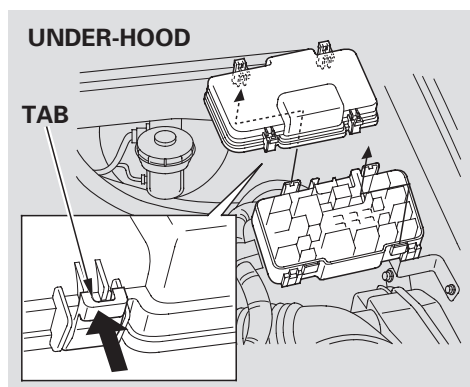
*Towing with only two tires on the ground will damage parts of the 4WD system. It should be transported on a flat-bed truck or trailer.*

Refer to **Towing Your Vehicle Behind a Motorhome** on page [141](#) for non-emergency towing information.

## Fuses



The interior fuse box is underneath the steering column. To remove the fuse box lid, turn the knobs counterclockwise and pull the lid out of its hinges.

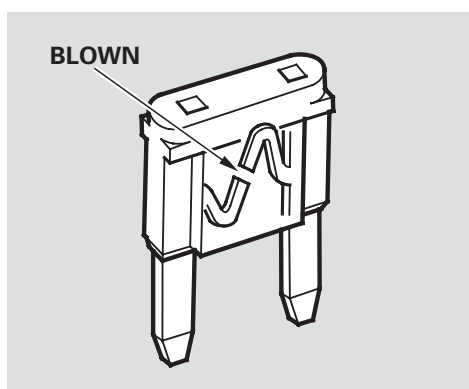
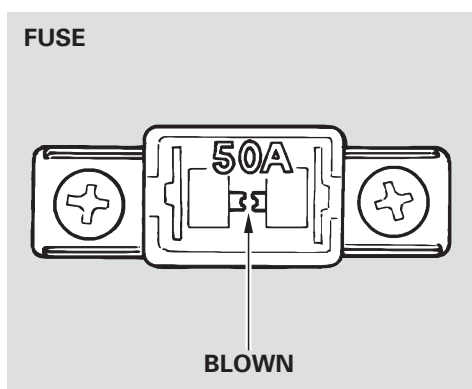


The vehicle's fuses are located in two fuse boxes. The under-hood fuse box is located in the engine compartment on the driver's side. To open it, push the tabs as shown.

### Checking and Replacing Fuses

If something electrical in your vehicle stops working, check for a blown fuse first. Determine from the chart on pages 199 and 200 or the diagram on the fuse box lid, which fuse or fuses control that device. Check those fuses first, but check all the fuses before deciding that a blown fuse is the cause. Replace any blown fuses and check if the device works.

1. Turn the ignition switch to LOCK (0). Make sure the headlights and all other accessories are off.
2. Remove the cover from the fuse box.



3. Check each of the large fuses in the under-hood fuse box by looking through the top at the wire inside. Remove the screws with a Phillips-head screwdriver.

4. Check the smaller fuses in the under-hood fuse box and all the fuses in the interior fuse box by pulling out each fuse with the fuse puller provided in the under-hood fuse box.

5. Look for a burned wire inside the fuse. If it is burned, replace it with one of the spare fuses of the same rating or lower.

If you cannot drive the vehicle without fixing the problem, and you do not have a spare fuse, take a fuse of the same rating or a lower rating from one of the other circuits. Make sure you can do without that circuit temporarily (such as the accessory power socket or radio).

If you replace the blown fuse with a spare fuse that has a lower rating, it might blow out again. This does not indicate anything wrong. Replace the fuse with one of the correct rating as soon as you can.

## Fuses

---

### NOTICE

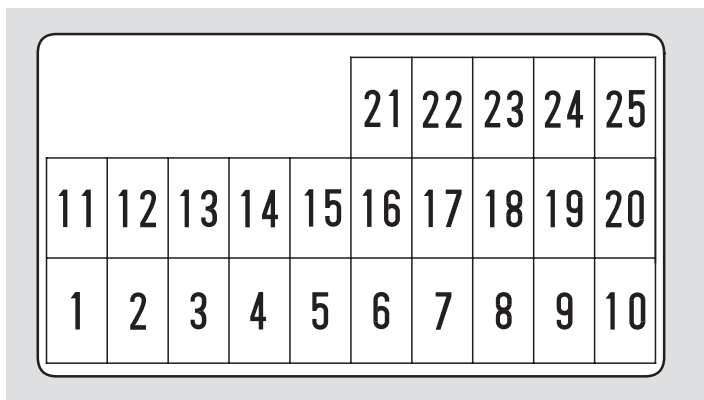
*Replacing a fuse with one that has a higher rating greatly increases the chances of damaging the electrical system. If you do not have a replacement fuse with the proper rating for the circuit, install one with a lower rating.*

6. If the replacement fuse of the same rating blows in a short time, there is probably a serious electrical problem in your vehicle. Leave the blown fuse in that circuit and have your vehicle checked by a qualified mechanic.

#### *On EX models*

If the radio fuse is removed, the audio system will disable itself. The next time you turn on the radio you will see "CODE" in the frequency display. Use the preset buttons to enter the five-digit code (see page [104](#)).

**INTERIOR FUSE BOX**



No.	Amps.	Circuits Protected
1	15 A	Ignition Coil
2	15 A	Rear Accessory Power Socket* <sup>1</sup>
3	10 A	Daytime running lights* <sup>2</sup>
4	10 A	ACG
5	—	Not Used

No.	Amps.	Circuits Protected
6	7.5 A	Power Window Relay
7	20 A	AMP
8	7.5 A	Accessory, Radio
9	10 A	Rear Wiper
10	7.5 A	Meter
11	7.5 A	ABS
12	7.5 A	Daytime running lights* <sup>2</sup>
13	10 A	SRS
14	10 A	Remote Control Mirrors
15	20 A	LAF Heater
16	—	Not Used
17	15 A	Fuel Pump
18	15 A	Front Accessory Power Socket
19	7.5 A	Turn Signal Lights
20	20 A	Front Wiper
21	—	Not Used
22	20 A	Passenger's Power Window
23	20 A	Driver's Power Window
24	—	Not Used
25	—	Not Used

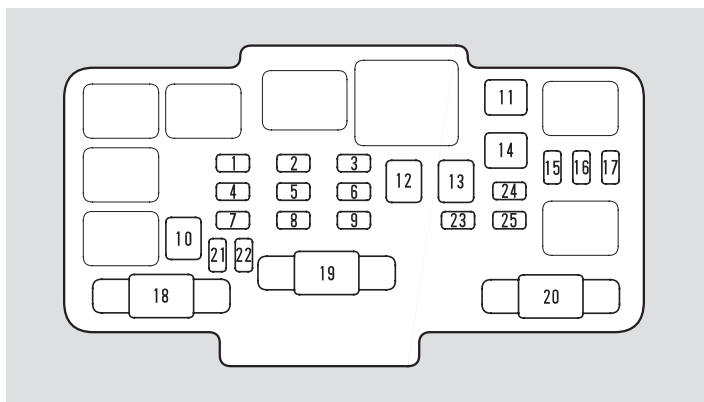
\* 1 : For some types

\* 2 : On Canadian models

CONTINUED

## Fuse Locations

### UNDER-HOOD FUSE BOX



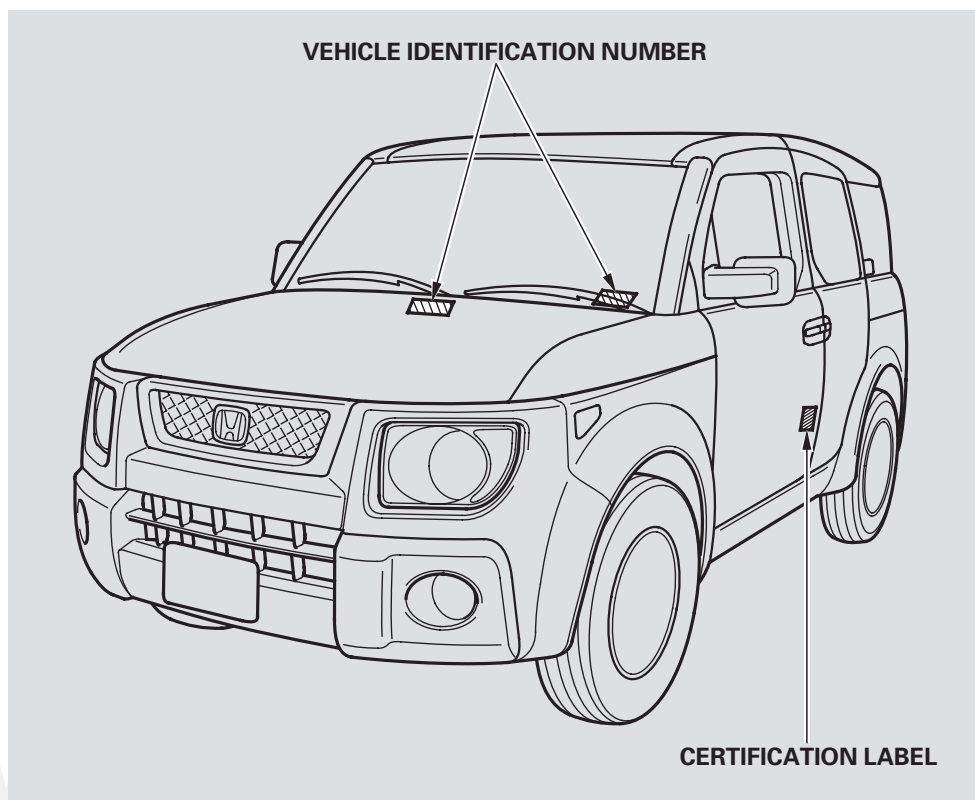
No.	Amps.	Circuits Protected
1	30 A	Condenser Fan
2	15 A	Small Light
3	7.5 A	Interior Light
4	20 A	Cooling Fan Motor
5	15 A	Hazard
6	15 A	IGP
7	15 A	Horn, Stop
8	—	Not Used
9	10 A	Back Up
10	30 A	ABS Motor
11	20 A	Rear Defroster
12	40 A	Heater Motor
13	40 A	Power Window
14	40 A	Option
15	15 A	Left Headlight
16	15 A	Door Lock
17	15 A	Right Headlight
18	30 A	ABS F/S
19	100 A	Battery
20	50 A	Ignition 1
21-25	7.5A-30A	Spare Fuses

## 200 Taking Care of the Unexpected

## Identification Numbers

Your vehicle has several identifying numbers located in various places.

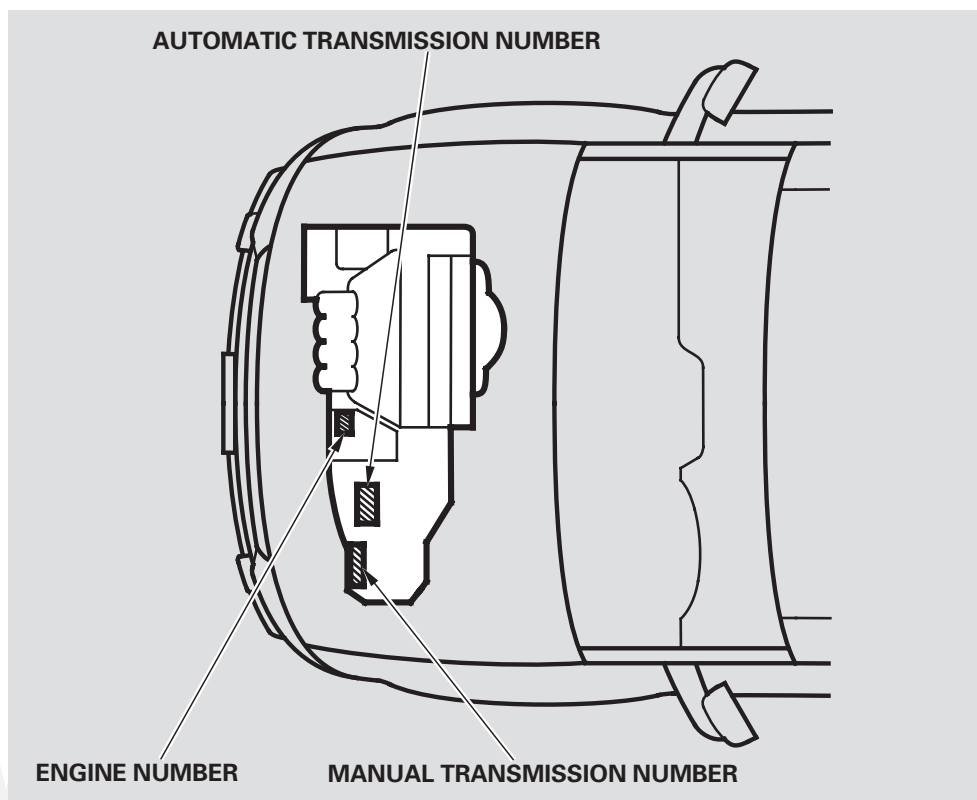
The Vehicle Identification Number (VIN) is the 17-digit number your Honda dealer uses to register your vehicle for warranty purposes. It is also necessary for licensing and insuring your vehicle. The easiest place to find the VIN is on a plate fastened to the top of the dashboard. You can see it by looking through the windshield on the driver's side. It is also on the Certification label attached to the driver's doorjamb (front edge of rear door), and is stamped on the engine compartment bulkhead. The VIN is also provided in bar code on the Certification label.



# WWW.MANUALS.WS Identification Numbers

The Engine Number is stamped into the engine block.

The Transmission Number is on a label on top of the transmission.



## Specifications

### Dimensions

Length	169.3 in (4,300 mm)
Width	71.5 in (1,815 mm)
Height	70.4 in (1,788 mm)
Wheelbase	101.4 in (2,575 mm)
Track	Front 62.1 in (1,577 mm)
	Rear 62.3 in (1,582 mm)

### Weights

Gross vehicle weight rating	See the certification label attached to the driver's doorjamb (front edge of rear door).
-----------------------------	--

### Engine

Type	Water cooled 4-stroke DOHC VTEC 4-cylinder gasoline engine
Bore x Stroke	3.43 x 3.90 in (87.0 x 99.0 mm)
Displacement	144 cu-in (2,354 cm <sup>3</sup> )
Compression ratio	9.7 : 1
Spark plugs	NGK: IZFR6K-11 DENSO: SKJ20DR-M11

### Capacities

Fuel tank	Approx. 15.9 US gal (60 ℓ)
Engine oil	Change* <sup>1</sup>
	Including filter 4.4 US qt (4.2 ℓ)
	Without filter 4.2 US qt (4.0 ℓ)
	Total 5.6 US qt (5.3 ℓ)

Engine coolant	Automatic Transmission	
	Change* <sup>2</sup>	1.43 US gal (5.4 ℓ)
	Total	1.88 US gal (7.1 ℓ)
	Manual Transmission	
	Change* <sup>2</sup>	1.45 US gal (5.5 ℓ)
	Total	1.90 US gal (7.2 ℓ)
Automatic transmission fluid	Change	
	4WD	3.3 US qt (3.1 ℓ)
	2WD	3.1 US qt (2.9 ℓ)
	Total	
	4WD	7.6 US qt (7.2 ℓ)
	2WD	6.9 US qt (6.5 ℓ)
Manual transmission fluid	Change	2.0 US qt (1.9 ℓ)
	Total	
	4WD	2.4 US qt (2.3 ℓ)
	2WD	2.3 US qt (2.2 ℓ)
Rear differential fluid (4WD)	Change	1.1 US qt (1.0 ℓ)
	Total	1.3 US qt (1.2 ℓ)
Windshield washer reservoir	U.S. Vehicles	2.6 US qt (2.5 ℓ)
	Canada Vehicles	4.8 US qt (4.5 ℓ)

\* 1 : Excluding the oil remaining in the engine.

\* 2 : Including the coolant in the reserve tank and that remaining in the engine.

Reserve tank capacity:  
0.145 US gal (0.55 ℓ)

**Air Conditioning**

Refrigerant type	HFC-134a (R-134a)
Charge quantity	16.9 – 18.7 oz (480 – 530 g)
Lubricant type	SP-10

**Lights**

Headlights	12 V – 60/55 W (H4/HB2)
Front turn signal/parking lights	12 V – 21/5 W
Front side marker lights	12 V – 3 CP
Rear turn signal lights	12 V – 21 W
Brake/Taillights	12 V – 21/5 W
Back-up lights	12 V – 18 W (21 CP)
License plate lights	12 V – 5 W
Ceiling light	12 V – 8 W
Spotlights	12 V – 4 CP
Cargo area light	12 V – 8 W
High-mount brake light	12 V – 21 W

**Battery**

Capacity	12 V – 45 AH/20 HR
----------	--------------------

**Fuses**

Interior	See page 199 or the fuse label attached to the inside of the fuse box door under the steering column.
Under-hood	See page 200 or the fuse box cover.

**Alignment**

Toe-in	Front	0.0 in (0 mm)
	Rear	0.08 in (2.0 mm)
Camber	Front	–0°13'
	Rear	–1°
Caster	Front	1°50'

**Tires**

Size	Front/Rear	P215/70R16 99S
Pressure	Front	32 psi (220 kPa, 2.2 kgf/cm <sup>2</sup> )
	Rear	34 psi (235 kPa, 2.4 kgf/cm <sup>2</sup> )

## DOT Tire Quality Grading (U.S. Vehicles)

---

The tires on your vehicle meet all U.S. Federal Safety Requirements. All tires are also graded for treadwear, traction, and temperature performance according to Department of Transportation (DOT) standards. The following explains these gradings.

### Uniform Tire Quality Grading

Quality grades can be found where applicable on the tire sidewall between the tread shoulder and the maximum section width. For example:

**Treadwear 200**  
**Traction AA**  
**Temperature A**

All passenger car tires must conform to Federal Safety Requirements in addition to these grades.

### Treadwear

The treadwear grade is a comparative rating based on the wear rate of the tire when tested under controlled conditions on a specified government test course. For example, a tire graded 150 would wear one and one-half (1 1/2) times as well on the government course as a tire graded 100. The relative performance of tires depends upon the actual conditions of their use, however, and may depart significantly from the norm due to variations in driving habits, service practices, and differences in road characteristics and climate.

### Traction – AA, A, B, C

The traction grades, from highest to lowest, are AA, A, B, and C. Those grades represent the tire's ability to stop on wet pavement as measured under controlled conditions on specified government test surfaces of asphalt and concrete. A tire marked C may have poor traction performance.

**Warning:** The traction grade assigned to this tire is based on straight-ahead braking traction tests, and does not include acceleration, cornering, hydroplaning, or peak traction characteristics.

**Temperature – A, B, C**

The temperature grades are A (the highest), B, and C, representing the tire's resistance to the generation of heat and its ability to dissipate heat when tested under controlled conditions on a specified indoor laboratory test wheel. Sustained high temperature can cause the material of the tire to degenerate and reduce tire life, and excessive temperature can lead to sudden tire failure. The grade C corresponds to a level of performance which all passenger car tires must meet under the Federal Motor Vehicle Safety Standard No. 109. Grades B and A represent higher levels of performance on the laboratory test wheel than the minimum required by law.

**Warning:** The temperature grade for this tire is established for a tire that is properly inflated and not overloaded. Excessive speed, underinflation, or excessive loading, either separately or in combination, can cause heat buildup and possible tire failure.

## Tire Information

### Tire Labeling

The tires that came on your vehicle have a number of markings. Those you should be aware of are described below.

#### *Tire Size*

Whenever tires are replaced, they should be replaced with tires of the same size. Following is an example of tire size with an explanation of what each component means.

P215/70R16 99S

P — Vehicle type (P indicates passenger vehicle).

215 — Tire width in millimeters.

70 — Aspect ratio (the tire's section height as a percentage of its width).

R — Tire construction code (R indicates radial).

16 — Rim diameter in inches.

99 — Load index (a numerical code associated with the maximum load the tire can carry).

S — Speed symbol (an alphabetical code indicating the maximum speed rating).

#### *Tire Identification Number*

Tire Identification Number (TIN) is a group of numbers and letters that look like the following example TIN.

DOT B97R FW6X 2202

DOT — This indicates that the tire meets all requirements of the U.S. Department of Transportation.

B97R — Manufacturer's identification mark.

FW6X — Tire type code.

2202 — Date of manufacture.

## 208 Technical Information

The burning of gasoline in your vehicle's engine produces several by-products. Some of these are carbon monoxide (CO), oxides of nitrogen (NOx) and hydrocarbons (HC). Gasoline evaporating from the tank also produces hydrocarbons. Controlling the production of NOx, CO, and HC is important to the environment. Under certain conditions of sunlight and climate, NOx and HC react to form photochemical "smog." Carbon monoxide does not contribute to smog creation, but it is a poisonous gas.

#### **The Clean Air Act**

The United States Clean Air Act\* sets standards for automobile emissions. It also requires that automobile manufacturers explain to owners how their emissions controls work and what to do to maintain them. This section summarizes how the emissions controls work. Scheduled maintenance is on page 150.

\* In Canada, Honda vehicles comply with the Canadian emission requirements, as specified in an agreement with Environment Canada, at the time they are manufactured.

#### **Crankcase Emissions Control System**

Your vehicle has a Positive Crankcase Ventilation System. This keeps gasses that build up in the engine's crankcase from going into the atmosphere. The Positive Crank-

case Ventilation valve routes them from the crankcase back to the intake manifold. They are then drawn into the engine and burned.

#### **Evaporative Emissions Control System**

As gasoline evaporates in the fuel tank, an evaporative emissions control canister filled with charcoal adsorbs the vapor. It is stored in this canister while the engine is off. After the engine is started and warmed up, the vapor is drawn into the engine and burned during driving.

#### **Onboard Refueling Vapor Recovery**

The Onboard Refueling Vapor Recovery (ORVR) system captures the fuel vapors during refueling. The vapors are adsorbed in a canister filled with activated carbon. While driving, the fuel vapors are drawn into the engine and burned off.

## Emissions Controls

---

### **Exhaust Emissions Controls**

The exhaust emissions controls include three systems: PGM-FI, Ignition Timing Control, and Three Way Catalytic Converter. These three systems work together to control the engine's combustion and minimize the amount of HC, CO, and NOx that comes out the tailpipe. The exhaust emissions control systems are separate from the crankcase and evaporative emissions control systems.

### ***PGM-FI System***

The PGM-FI System uses sequential multiport fuel injection. It has three subsystems: Air Intake, Engine Control, and Fuel Control. The Engine Control Module (ECM) or the Powertrain Control Module (PCM) uses various sensors to determine how much air is going into the engine. It then controls how much fuel to inject under all operating conditions.

### ***Ignition Timing Control System***

This system constantly adjusts the ignition timing, reducing the amount of HC, CO, and NOx produced.

### ***Three Way Catalytic Converter***

The three way catalytic converter is in the exhaust system. Through chemical reactions, it converts HC, CO, and NOx in the engine's exhaust to carbon dioxide (CO<sub>2</sub>), dinitrogen (N<sub>2</sub>), and water vapor.

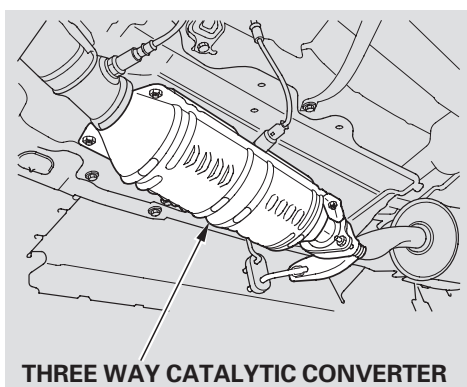
### **Replacement Parts**

The emissions control systems are designed and certified to work together in reducing emissions to levels that comply with the Clean Air Act. To make sure the emissions remain low, you should use only new Honda replacement parts or their equivalent for repairs. Using lower quality parts may increase the emissions from your vehicle.

The emissions control systems are covered by warranties separate from the rest of your vehicle. Read your warranty manual for more information.

The three way catalytic converter contains precious metals that serve as catalysts, promoting chemical reactions to convert the exhaust gasses without affecting the metals. The catalytic converter is referred to as a three-way catalyst, since it acts on HC, CO, and NOx. A replacement unit must be an original Honda part or its equivalent.

The three way catalytic converter must operate at a high temperature for the chemical reactions to take place. It can set on fire any combustible materials that come near it. Park your vehicle away from high grass, dry leaves, or other flammables.



A defective three way catalytic converter contributes to air pollution, and can impair your engine's performance. Follow these guidelines to protect your vehicle's three way catalytic converter.

- Always use unleaded gasoline. Even a small amount of leaded gasoline can contaminate the catalyst metals, making the three way catalytic converter ineffective.

- Keep the engine tuned-up.
- Have your vehicle diagnosed and repaired if it is misfiring, backfiring, stalling, or otherwise not running properly.

## State Emissions Testing

### Testing of Readiness Codes

If you take your vehicle for a state emissions test shortly after the battery has been disconnected or gone dead, it may not pass the test. This is because of certain “readiness codes” that must be set in the on-board diagnostics for the emissions systems. These codes are erased when the battery is disconnected, and set again only after several days of driving under a variety of conditions.

If the testing facility determines that the readiness codes are not set, you will be requested to return at a later date to complete the test. If you must get the vehicle re-tested within the next two or three days, you can condition the vehicle for re-testing by doing the following.

- Make sure the gas tank is nearly, but not completely, full (around 3/4).

- Make sure the vehicle has been parked with the engine off for 8 hours or more.
- Make sure the ambient temperature is between 20° and 95°F.
- Without touching the accelerator pedal, start the engine, and let it idle for 20 seconds.
- Keep the vehicle in Park (automatic transmission) or Neutral (manual transmission). Increase the engine speed to 2,000 rpm and hold it there until the temperature gauge rises to at least 1/4 of the scale (approximately 3 minutes).
- Select a nearby lightly traveled major highway where you can maintain a speed of 50 to 60 mph (80 to 97 km/h) for at least 20 minutes. Drive on the highway in D (A/T) or 5th (M/T). Do not use the cruise control.
- When traffic allows, drive for 90 seconds without moving the accelerator pedal. (Vehicle speed may vary slightly; this is okay.) If you cannot do this for a continuous 90 seconds because of traffic conditions, drive for at least 30 seconds, then repeat it two more times (for a total of 90 seconds).
- Then drive in city/suburban traffic for at least 10 minutes. When traffic conditions allow, let the vehicle coast for several seconds without using the accelerator pedal or the brake pedal.

If the testing facility determines the readiness codes are still not set, see your Honda dealer.

## 212 Technical Information

## Customer Service Information

---

Honda dealership personnel are trained professionals. They should be able to answer all your questions. If you encounter a problem that your dealership does not solve to your satisfaction, please discuss it with the dealership's management. The Service Manager or General Manager can help. Almost all problems are solved in this way.

If you are dissatisfied with the decision made by the dealership's management, contact your Honda Customer Service Office.

### U.S. Owners:

American Honda Motor Co., Inc.  
Honda Customer Service  
Mail Stop 500-2N-7A  
1919 Torrance Boulevard  
Torrance, California 90501-2746

Tel: (800) 999-1009

### Canadian Owners: CUSTOMER RELATIONS RELATIONS AVEC LA CLIENTÈLE

Honda Canada Inc.  
715 Milner Avenue  
Toronto, ON  
M1B 2K8

Tel: 1-888-9-HONDA-9  
Fax: Toll-free 1-877-939-0909  
Toronto (416) 287-4776

### In Puerto Rico and the U.S. Virgin Islands:

Bella International  
P.O. Box 190816  
San Juan, Puerto Rico 00919-0816

Tel: (787) 250-4318

When you call or write, please give us this information:

- Vehicle Identification Number (see page 202 )
- Name and address of the dealer who services your vehicle
- Date of purchase
- Mileage on your vehicle
- Your name, address, and telephone number
- A detailed description of the problem
- Name of the dealer who sold the vehicle to you

**U.S. Owners**

Your new Honda is covered by these warranties:

***New Vehicle Limited Warranty*** — covers your new vehicle, except for the battery, emissions control systems and accessories, against defects in materials and workmanship.

***Emissions Control Systems Defects Warranty and Emissions***

***Performance Warranty*** — these two warranties cover your vehicle's emissions control systems. Time, mileage, and coverage are conditional. Please read the warranty manual for exact information.

***Original Equipment Battery Limited Warranty*** — this warranty gives up to 100 percent credit toward a replacement battery.

***Seat Belt Limited Warranty*** — a seat belt that fails to function properly is covered for the useful life of the vehicle.

***Rust Perforation Limited Warranty*** — all exterior body panels are covered for rust-through from the inside for the specified time period with no mileage limit.

***Accessory Limited Warranty*** — genuine Honda Accessories are covered under this warranty. Time and mileage limits depend on the type of accessory and other factors. Please read your warranty manual for details.

***Replacement Parts Limited Warranty*** — covers all genuine Honda replacement parts against defects in materials and workmanship.

***Replacement Battery Limited Warranty*** — provides prorated coverage for a replacement battery purchased from a Honda dealer.

***Replacement Muffler Lifetime Limited Warranty*** — provides coverage for as long as the purchaser of the muffler owns the vehicle.

Restrictions and exclusions apply to all these warranties. Please read the 2004 Honda Warranty Information booklet that came with your vehicle for precise information on warranty coverages. Your Honda's original tires are covered by their manufacturer. Tire warranty information is in a separate booklet.

**Canadian Owners**

Please refer to the 2004 Warranty Manual that came with your vehicle.

WWW.MANUALS.WS

## Reporting Safety Defects (U.S. Vehicles)

---

If you believe that your vehicle has a defect which could cause a crash or could cause injury or death, you should immediately inform the National Highway Traffic Safety Administration (NHTSA) in addition to notifying American Honda Motor Co., Inc.

If NHTSA receives similar complaints, it may open an investigation, and if it finds that a safety defect exists in a group of vehicles, it may order a recall and remedy campaign. However, NHTSA cannot become involved in individual problems between you, your dealer, or American Honda Motor Co., Inc.

To contact NHTSA, you may either call the Auto Safety Hotline toll-free at 1-800-424-9393 (or 366-0123 in Washington D.C. area) or write to: NHTSA, U.S. Department of Transportation, Washington, D.C. 20590. You can also obtain other information about motor vehicle safety from the Hotline.

WWW.MANUALS.WS

**Purchasing Factory Authorized Manuals**

The publications shown below can be purchased from Helm Incorporated. You can order in any of three ways:

- Detach and mail the order form on the right half of this page
- Call Helm Inc. at 1-800-782-4356 (credit card orders only)
- Go online at [www.helminc.com](http://www.helminc.com)

If you are interested in other years or models, contact Helm Inc. at 1-800-782-4356.

Publication Form Number	Form Description	Price Each*
61SCV02	2003-04 Honda Element Service Manual	\$70.00
61SCV02EL	2003-04 Honda Element Electrical Troubleshooting Manual	\$50.00
61SCV30	2003-04 Honda Element Body Repair Manual	\$44.00
31SCV610	2004 Honda Element Owner's Manual	\$34.00
31SCVQ10	2004 Element Quick Start Guide	\$10.00
HON-R	Order Form for Previous Years- Indicate Year and Model Desired	FREE

\* Prices are subject to change without notice and without incurring obligation.

*Valid only for sales within the U.S. Canadian owners should contact their authorized Honda dealer.*

<p><b>ORDER TOLL FREE: 1-800-782-4356</b>                  (NOTE: For Credit Card Holder Orders Only)                  Monday-Friday 8:00 A.M. — 6:00 P.M. EST  <b>MINIMUM CREDIT CARD PURCHASE \$10.00</b></p>
---

**OR**

By completing this form you can order the materials desired. You can pay by check or money order, or charge to your credit card. Mail to Helm Incorporated at the address shown on the back of the order form.

2004 HON	PUBLICATION NUMBER	VEHICLE MODEL		Qty	Price Each*	Total Price
		Name	Year			
* Prices are subject to change without notice and without incurring obligation.  Orders are mailed within 10 days. Please allow adequate time for delivery.					TOTAL MATERIAL	
					Mich. Purchases Add 6% Sales Tax	
					HANDLING CHARGE	\$6.95
					GRAND TOTAL	

CONTINUED



## Service Information Summary

---

**Gasoline:**

Unleaded gasoline, pump octane number of 86 or higher.

**Fuel Tank Capacity:**

15.9 US gal (60 ℓ)

**Recommended Engine Oil:**

API Premium grade 5W-20 detergent oil (see page 157).

Oil change capacity (including filter):

4.4 US qt (4.2 ℓ)

**Automatic Transmission Fluid:**

Honda ATF-Z1 (Automatic Transmission Fluid) preferred, or a DEXRON® III ATF as a temporary replacement (see page 162).

**5-speed Manual Transmission****Fluid:**

Honda Manual Transmission Fluid preferred, or an SAE 10W-30 or 10W-40 motor oil as a temporary replacement (see page 163).

Capacity (including differential):  
2.0 US qt (1.9 ℓ)

**Rear Differential Fluid:**

Honda Dual Pump Fluid. Do not use ATF.

Capacity:

1.1 US qt (1.0 ℓ)

**Power Steering Fluid:**

Honda Power Steering Fluid preferred, or another brand of power steering fluid as a temporary replacement. Do not use ATF (see page 165).

**Brake Fluid:**

Honda Heavy Duty Brake Fluid DOT 3 preferred, or a DOT 3 or DOT 4 brake fluid as a temporary replacement (see page 164).

**Tire Pressure (measured cold):**

Front:

32 psi (220 kPa , 2.2 kgf/cm<sup>2</sup>)

Rear:

34 psi (235 kPa , 2.4 kgf/cm<sup>2</sup>)

**Spare Tire Pressure:**

60 psi (420 kPa , 4.2 kgf/cm<sup>2</sup>)